

# CAPITAL — STOVES —

LEADING SUPPLIER OF LUXURY STOVES



WOOD • MULTI-FUEL • GAS • ELECTRIC • ACCESSORIES

# Welcome

**At Capital Stoves, our commitment to excellence, exceptional craftsmanship and sophisticated designs sets us apart as a trusted provider of premium heating solutions.**

We understand the importance of finding the perfect stove to enhance your home which is why we offer a sophisticated range of electric, gas and wood burning stoves that will transform your living space into a cosy sanctuary.

Our range of contemporary and traditional stoves are all meticulously crafted from the finest materials by our specially selected manufacturers. Our partnership with accredited manufacturers is based on a shared vision of delivering exceptional products that embody the highest levels of workmanship and reliability.

In addition to our stunning array of stoves, we also provide a comprehensive range of accessories to seamlessly integrate any Capital stove into your room whilst complementing your décor.

We invite you to explore our brochure and discover the remarkable range of stoves that we have to offer.



**A stove should simultaneously reflect your style and provide practical functionality. At Capital Stoves, we are committed to the continual development of our range to provide innovative designs that meet the needs of our customers.**



*Andy Hitchman*

**Managing Director**





# ECO2022 Stoves

DEFRA, the Department of the Environment, Food and Rural Affairs, included wood burning stoves in their 2019 Clean Air Strategy. The strategy aims to reduce the amount of harmful emissions that affect air quality by ensuring stove manufacturers improve the performance and efficiency of their stoves.

In January 2022 the law was amended to state that all solid fuel appliances sold must be Eco Design Compliant. To be Eco Design Compliant, stoves must show significantly improved emissions when compared to older stoves or open fires.

All Capital Eco 2022 stoves have been tested in an independently approved test house and have achieved the requirements of Eco Design Regulations. Registration has also been made with HETAS (a national organisation working for consumer safety and the wider public interest in safe, efficient and environmentally responsible use of biomass and other solid fuels) and DEFRA.

A requirement of Eco Design Regulations is that all gas and multi fuel appliances must display an energy rating. We are delighted to confirm all Capital Eco 2022 Ready Stoves have A or A+ ratings.

At Capital, we launched our first range of fully compliant Eco 2022 Ready Stoves in 2018. We were proud to do this knowing we were one of the first companies to have stoves that were already achieving the necessary standards.

Our multi-fuel and wood burning stoves are all Eco 2022 compliant and Clear Skies certified in addition to being registered with HETAS and DEFRA. These stoves not only reduce the level of harmful air pollutants, but they also run more efficiently using less fuel, so will cost less to operate.

Improving our carbon footprint is a key part of our business philosophy. Vital to that strategy is the continued development of our Eco 2022 stove range and our partnership with the National Forest, please see pages 6 and 7 for more information.



ECO DESIGN  
READY STOVE



10 YEAR OLD  
STOVE



OPEN FIRE

# Contents

<b>Eco Design Ready Stoves</b>		Verena	44-45
<b>Traditional</b>		Savona (Inset)	46-47
Avebury	8-9	<b>Gas Stoves</b>	
Bassington Compact	10-11	Athena Gas <sup>NEW</sup>	48-49
Bassington	12-13	Avebury Gas <sup>NEW</sup>	50-51
Bassington Baseline	14-15	Bassington Gas	52-53
Bassington Canopy	16-17	Bassington Compact Gas <sup>NEW</sup>	54-55
Bassington Grande <sup>NEW</sup>	18-19	Kirkham Gas <sup>NEW</sup>	56-57
Bassington Skirted	20-21	<b>Electric</b>	
Ridgmont 5 <sup>NEW</sup>	22-23	Blackthorn <sup>NEW COLOURS</sup>	58-59
Scene	24-25	SLE42s	60-61
Sigma	26-27	SLE25i <sup>NEW</sup>	62-63
Sigma Canopy	28-29	<b>Accessories</b>	
Vega Edge 200SL	30-31	Glass Hearths	64-65
Woodrow 4	32-33	Stove Chambers	66-71
Woodrow 5	34-35	Chamber Trim Kits <sup>NEW</sup>	72-73
Woodrow 5 Quad <sup>NEW</sup>	36-37	Geocast® Beams	74-75
<b>Contemporary</b>		Tiled Hearths	76-79
Holsworthy <sup>NEW</sup>	38-39	Farmhouse Stone Hearths	80
Panamera	40-43	Brazilian Slate Hearths	81





# THE NATIONAL FOREST





# Make your mark. Plant a tree.

**We are proud to support one of Britain's largest environmental projects at the heart of our country.**

Since 2019, Capital Fireplaces has been in partnership with the National Forest, supporting their initiative to grow a healthier, happier Britain.

Covering 200 square miles of Leicestershire, Derbyshire, and Staffordshire, the National Forest is a mixed habitat forest that has breathed new life into the landscape. Regenerating this vast woodland is creating important wildlife habitats and building a more sustainable future for the next generation. Over 9 million trees have been planted in the last 30 years, increasing the region's woodland cover from only 6% to an impressive 22%, twice the national average.

**For every Capital Eco Stove that is purchased, you are helping to grow the National Forest and create woodland habitats that will benefit people and wildlife for years to come.**

For more information about the National Forest please visit [www.nationalforest.org](http://www.nationalforest.org)

**Growing the future. Together.**



## Avebury Eco

Eco 2022 Multi-fuel Stove

The defining feature of the Avebury Eco stove is the large, arched glass window which is perfect for maintaining an optimal view of the flames. Subtle detailing to the door, body and legs creates an interesting and traditional aesthetic.



CLEANER CHOICE



DEFRA approved for burning wood in a smoke controlled area and supported by the Capital Stoves Lifetime Warranty.



**Fuel Type:** Multi-fuel

**Nom. Heat Output & Range:** 5kW (2.5-8kW)

**Efficiency:** Up to 84%

**Flue Exit:** Top or Rear

**Flue Size:** 125mm

**Ventilation:** Not normally required (page 82)

**Suitable for a Light Duty Hearth:** Yes

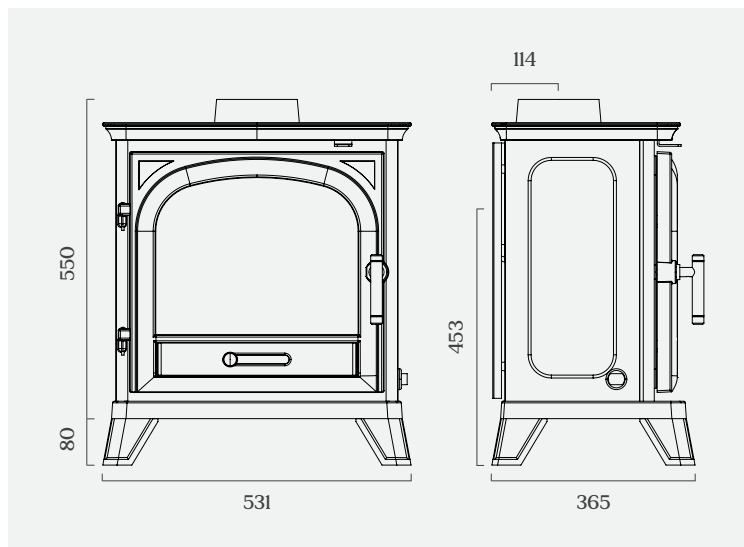
**Outside Air Kit Available:** No

**Construction:** Cast Iron

**Clearance to Combustibles:** 600mm\*

**Clearance to Non-Combustibles:** 50mm\*

\*Please refer to the installation instructions for more information



A+



## Bassington Compact

Eco 2022 Multi-fuel Stove

The Bassington Compact is perfectly designed to suit smaller rooms and fireplace openings. Available with Standard, Skirted or Baseline legs, the Bassington Compact can be styled to complement contemporary or traditional spaces.



CLEANER CHOICE



DEFRA approved for burning wood in a smoke controlled area and supported by the Capital Stoves Lifetime Warranty.

**Fuel Type:** Multi-fuel

**Nominal Heat Output:** 5kW

**Efficiency:** Up to 82%

**Flue Exit:** Top or Rear

**Flue Size:** 125mm

**Ventilation:** Not normally required (page 82)

**Suitable for a Light Duty Hearth:** No

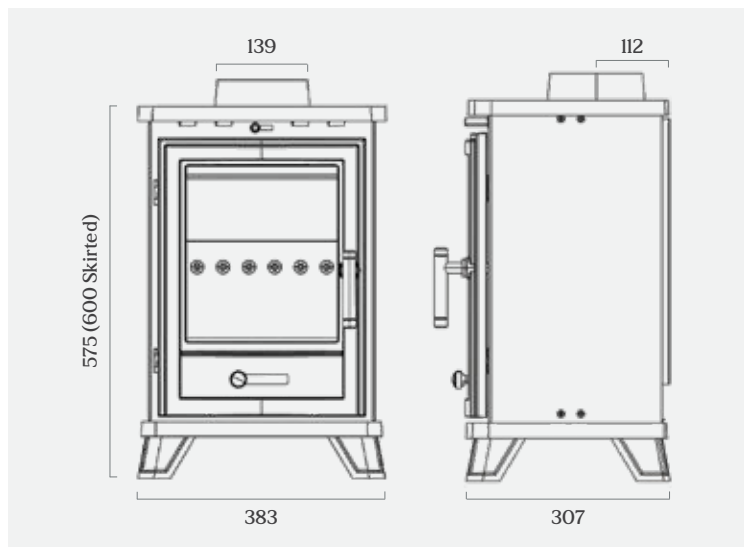
**Outside Air Kit Available:** No

**Construction:** Cast Iron

**Clearance to Combustibles:** 600mm\*

**Clearance to Non-Combustibles:** 50mm\*

\*Please refer to the installation instructions for more information



Designed for  
smaller spaces

A+







## Bassington Eco

Eco 2022 Multi-fuel Stove

The Bassington Eco features a large glass window, fully optimising the viewing experience. The splayed leg set creates a more traditional appearance without compromising the contemporary feel of this stove.



DEFRA approved for burning wood in a smoke controlled area and supported by the Capital Stoves Lifetime Warranty.

**Fuel Type:** Multi-fuel

**Nom. Heat Output & Range:** 5kW (2.5-8kW)

**Efficiency:** Up to 84%

**Flue Exit:** Top or Rear

**Flue Size:** 125mm

**Ventilation:** Not normally required (page 82)

**Suitable for a Light Duty Hearth:** Yes

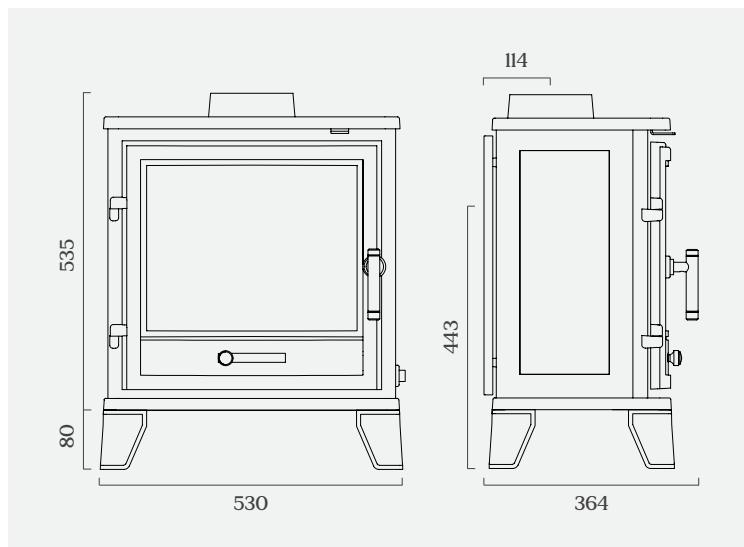
**Outside Air Kit Available:** No

**Construction:** Cast Iron

**Clearance to Combustibles:** 600mm\*

**Clearance to Non-Combustibles:** 50mm\*

\*Please refer to the installation instructions for more information



Oxford Grey Enamel



Warm White Enamel



## Bassington **Eco** Baseline

**Eco** 2022 Multi-fuel Stove

The Bassington Eco Baseline features a large glass window, fully optimising the viewing experience. The sturdy Baseline leg set brings a contemporary edge to the overall design of this stylish stove.



CLEANER CHOICE



DEFRA approved for burning wood in a smoke controlled area and supported by the Capital Stoves Lifetime Warranty.



**Fuel Type:** Multi-fuel

**Nom. Heat Output & Range:** 5kW (2.5-8kW)

**Efficiency:** Up to 84%

**Flue Exit:** Top or Rear

**Flue Size:** 125mm

**Ventilation:** Not normally required (page 82)

**Suitable for a Light Duty Hearth:** No

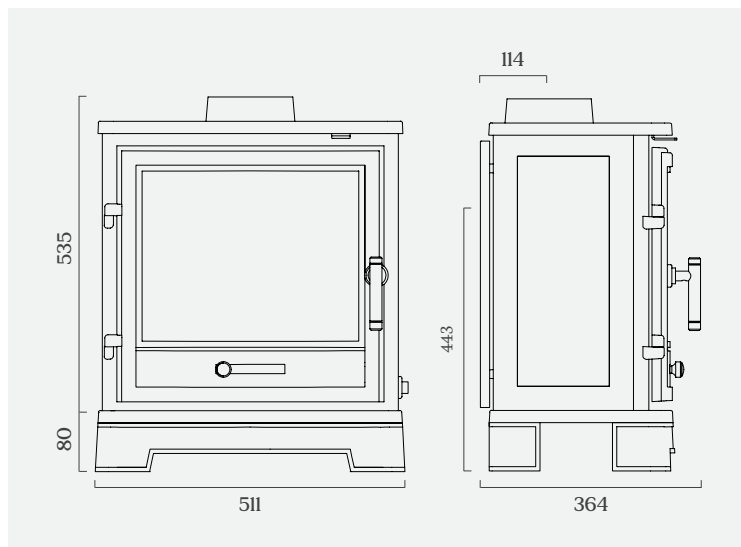
**Outside Air Kit Available:** No

**Construction:** Cast Iron

**Clearance to Combustibles:** 600mm\*

**Clearance to Non-Combustibles:** 50mm\*

\*Please refer to the installation instructions for more information





Baseline Legs

## Bassington Eco Canopy

Eco 2022 Multi-fuel Stove

The Bassington Eco Canopy is reviving traditional stove design by giving it a modern edge, achieved by combining clean lines and classic design. The canopy can be retrofitted onto your existing Bassington Eco stove to create a whole new look.



CLEANER CHOICE



DEFRA approved for burning wood in a smoke controlled area and supported by the Capital Stoves Lifetime Warranty.

**Fuel Type:** Multi-fuel

**Nom. Heat Output & Range:** 5kW (2.5-8kW)

**Efficiency:** Up to 84%

**Flue Exit:** Top or Rear

**Flue Size:** 125mm

**Ventilation:** Not normally required (page 82)

**Suitable for a Light Duty Hearth:** Yes

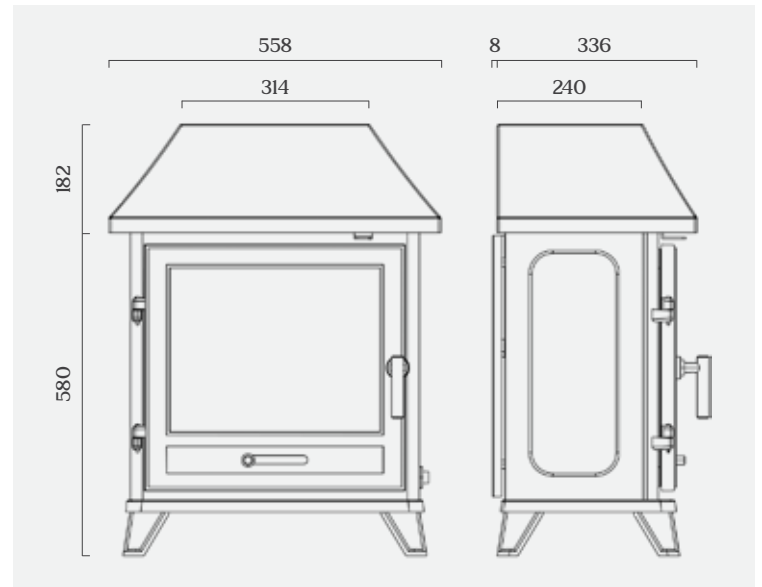
**Outside Air Kit Available:** No

**Construction:** Cast Iron (Stove) & Steel (Canopy)

**Clearance to Combustibles:** 600mm\*

**Clearance to Non-Combustibles:** 50mm\*

\*Please refer to the installation instructions for more information



Skirted Legs





lifetime  
warranty



**NEW  
STOVE**

## Bassington **Eco** Grande

**Eco** 2022 Multi-fuel Stove

The Bassington Eco Grande features a contemporary and stylish log store, elevating the large glass window and creating an immersive user experience. The log store provides a functional element, allowing you easy access to logs for re-fuelling.

**Fuel Type:** Multi-fuel

**Nom. Heat Output & Range:** 5kW (2.5-8kW)

**Efficiency:** Up to 84%

**Flue Exit:** Top or Rear

**Flue Size:** 125mm

**Ventilation:** Not normally required (page 82)

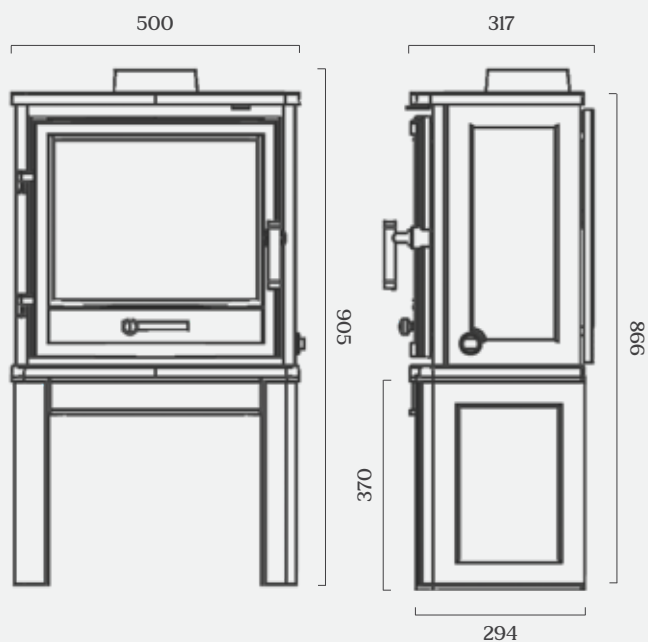
**Suitable for a Light Duty Hearth:** Yes

**Outside Air Kit Available:** No

**Construction:** Cast Iron

**Clearance:** Combustibles: 600mm\* / Non-Combustibles: 50mm\*

\*Please refer to the installation instructions for more information



**A<sup>+</sup>**



## Bassington **Eco** Skirted

**Eco** 2022 Multi-fuel Stove

The Bassington Eco Skirted features a large glass window, fully optimising the viewing experience. The Skirted leg set creates a vintage 'French Provincial' aesthetic, perfect for homes with character and rustic charm.



DEFRA approved for burning wood in a smoke controlled area and supported by the Capital Stoves Lifetime Warranty.



**Fuel Type:** Multi-fuel

**Nom. Heat Output & Range:** 5kW (2.5-8kW)

**Efficiency:** Up to 84%

**Flue Exit:** Top or Rear

**Flue Size:** 125mm

**Ventilation:** Not normally required (page 82)

**Suitable for a Light Duty Hearth:** Yes

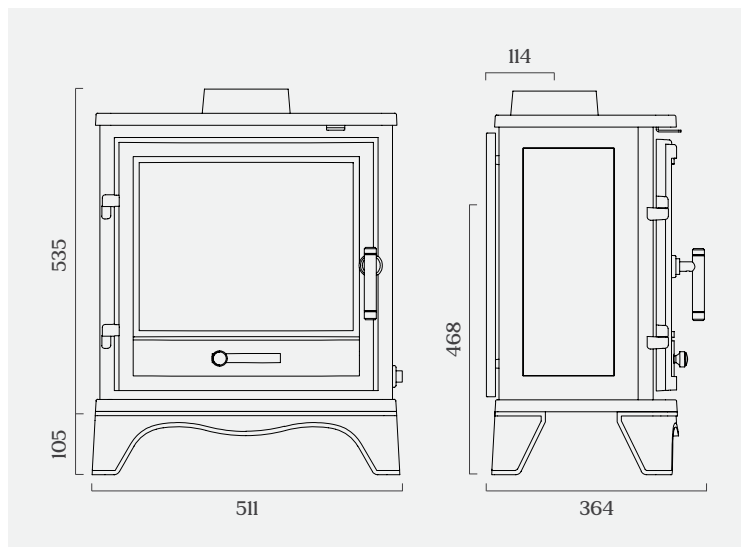
**Outside Air Kit Available:** No

**Construction:** Cast Iron

**Clearance to Combustibles:** 600mm\*

**Clearance to Non-Combustibles:** 50mm\*

\*Please refer to the installation instructions for more information



A+



lifetime  
warranty

outside  
air kit  
available



**NEW  
STOVE**

## Ridgmont 5 Eco

**Eco 2022 Wood Only Stove**

The Ridgmont 5 Eco has been designed with subtle details featuring clean lines, a large window and splayed legs. The result is a well-balanced stove that will complement both contemporary and traditional living spaces.

DEFRA approved for burning wood in a smoke controlled area and supported by the Capital Stoves Lifetime Warranty.

**Fuel Type:** Wood Only

**Nominal Heat Output:** 5kW

**Efficiency:** Up to 83%

**Flue Exit:** Top or Rear

**Flue Size:** 125mm

**Ventilation:** Not normally required (page 82)

**Suitable for a Light Duty Hearth:** Yes

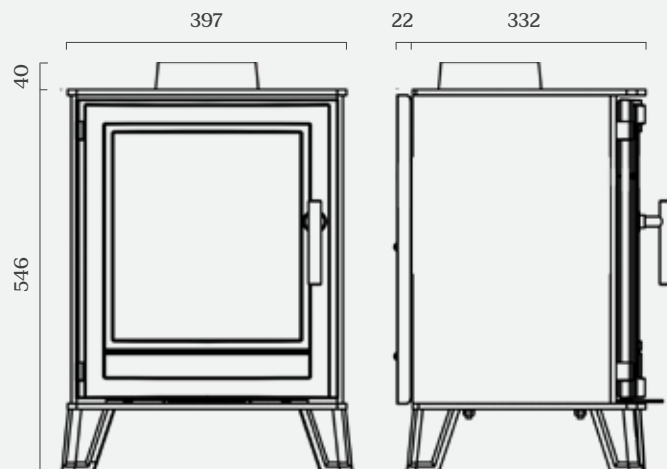
**Outside Air Kit Available:** Yes

**Construction:** Cast Iron & Steel

**Clearance to Combustibles:** 200mm (Rear) & 400mm (Sides)\*

**Clearance to Non-Combustibles:** 50mm\*

\*Please refer to the installation instructions for more information



**A+**





## Scene Eco

Eco 2022 Multi-fuel Stove

The defining features of the Scene Eco stove are the large glass window and circular primary air control. The overall simplicity of this design is what gives this stove a seamless and sleek finish, perfect for more contemporary spaces.



DEFRA approved for burning wood in a smoke controlled area and supported by the Capital Stoves Lifetime Warranty.

**Fuel Type:** Multi-fuel

**Nom. Heat Output & Range:** 5kW (2.5-8kW)

**Efficiency:** Up to 84%

**Flue Exit:** Top or Rear

**Flue Size:** 125mm

**Ventilation:** Not normally required (page 82)

**Suitable for a Light Duty Hearth:** Yes

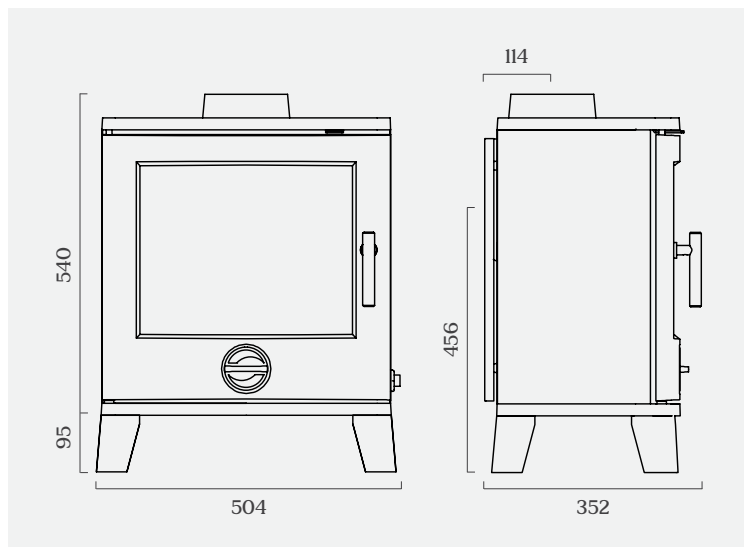
**Outside Air Kit Available:** No

**Construction:** Cast Iron

**Clearance to Combustibles:** 600mm\*

**Clearance to Non-Combustibles:** 50mm\*

\*Please refer to the installation instructions for more information



A+



## Sigma Eco

Eco 2022 Multi-fuel Stove

The Sigma Eco embodies traditional, featuring an arched glass window and classic detailing. In addition to the circular primary air control, all the elements have been designed with smooth, curved edges which soften the overall appearance.



CLEANER CHOICE



DEFRA approved for burning wood in a smoke controlled area and supported by the Capital Stoves Lifetime Warranty.



**Fuel Type:** Multi-fuel

**Nom. Heat Output & Range:** 5kW (2.5-8kW)

**Efficiency:** Up to 84%

**Flue Exit:** Top or Rear

**Flue Size:** 125mm

**Ventilation:** Not normally required (page 82)

**Suitable for a Light Duty Hearth:** Yes

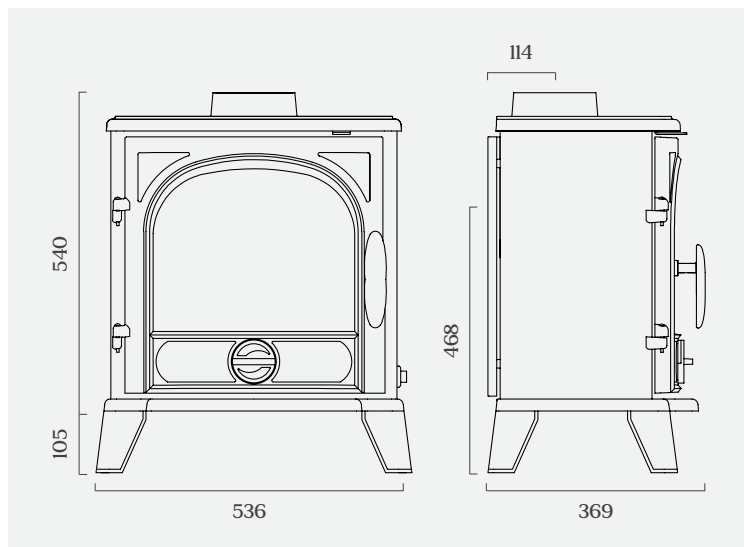
**Outside Air Kit Available:** No

**Construction:** Cast Iron

**Clearance to Combustibles:** 600mm\*

**Clearance to Non-Combustibles:** 50mm\*

\*Please refer to the installation instructions for more information



A+

# Sigma Eco Canopy

Eco 2022 Multi-fuel Stove

The Sigma Eco Canopy is reminiscent of traditional stove design. The canopy brings character and charm, complementing the vintage aspects of the stove and can be retrofitted onto your existing Sigma Eco for a whole new look.

DEFRA approved for burning wood in a smoke controlled area and supported by the Capital Stoves Lifetime Warranty.

**Fuel Type:** Multi-fuel

**Nominal Heat Output & Range:** 5kW (2.5-8kW)

**Efficiency:** Up to 84%

**Flue Exit:** Top or Rear

**Flue Size:** 125mm

**Ventilation:** Not normally required (page 82)

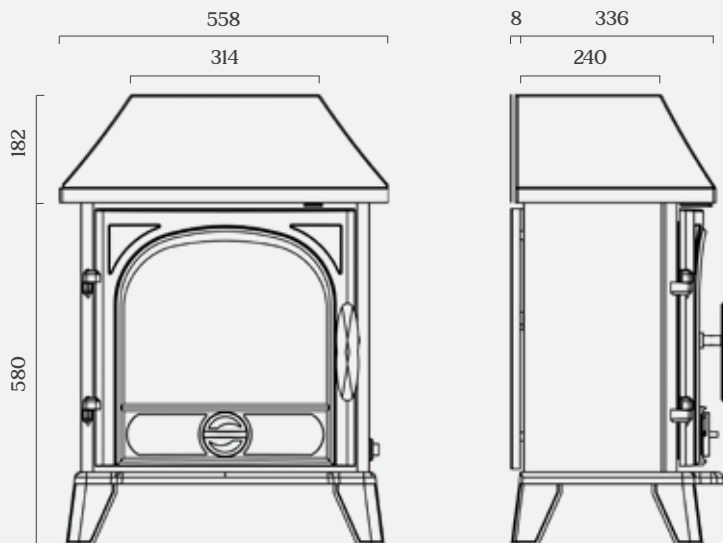
**Suitable for a Light Duty Hearth:** Yes

**Outside Air Kit Available:** No

**Construction:** Cast Iron (Stove) & Steel (Canopy)

**Clearance to Combustibles:** 600mm\* / Non-Combustibles: 50mm\*

\*Please refer to the installation instructions for more information





lifetime  
warranty



A+





## Vega Edge 200SL Eco

Eco 2022 Multi-fuel Stove

The Vega Edge 200SL takes inspiration from elements of Scandinavian design. With the addition of a stylish contrasting silver handle and air wash control, the Vega Edge 200SL is a charming stove that will complement any living space.



CLEANER CHOICE



DEFRA approved for burning wood in a smoke controlled area and supported by the Capital Stoves Lifetime Warranty.

**Fuel Type:** Multi-fuel

**Nom. Heat Output & Range:** 5kW (2.5-8kW)

**Efficiency:** Up to 84%

**Flue Exit:** Top or Rear

**Flue Size:** 125mm

**Ventilation:** Not normally required (page 82)

**Suitable for a Light Duty Hearth:** Yes

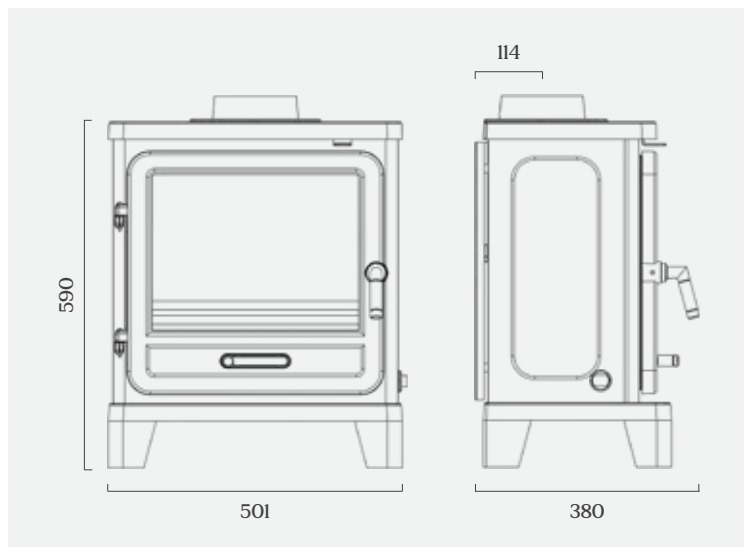
**Outside Air Kit Available:** No

**Construction:** Cast Iron

**Clearance to Combustibles:** 600mm\*

**Clearance to Non-Combustibles:** 50mm\*

\*Please refer to the installation instructions for more information





## Woodrow 4 Eco

Eco 2022 Wood Only Stove

The Woodrow 4 has been perfectly designed to suit narrow fireplace openings or smaller spaces including boats, cabins or garden offices. This stove is incredibly versatile thanks to its compact, neat and simplistic design.



CLEANER CHOICE



DEFRA approved for burning wood in a smoke controlled area and supported by the Capital Stoves Lifetime Warranty.



**Fuel Type:** Wood Only

**Nom. Heat Output:** 4kW

**Efficiency:** Up to 77%

**Flue Exit:** Top

**Flue Size:** 125mm

**Ventilation:** Not normally required (page 82)

**Suitable for a Light Duty Hearth:** No

**Outside Air Kit Available:** Yes

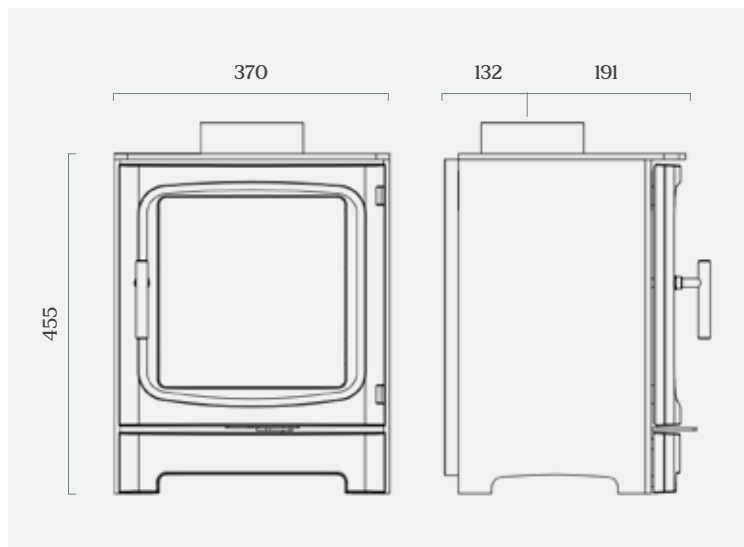
**Construction:** Cast Iron & Steel

**Clearance to Combustibles:** 400mm

(Rear & Sides\*)

**Clearance to Non-Combustibles:** 50mm\*

\*Please refer to the installation instructions for more information



Designed for smaller spaces

A



## Woodrow 5 Eco

Eco 2022 Wood Only Stove

The Woodrow 5 is incredibly versatile thanks to its neat and simplistic design. The main feature of this modest stove is the large glass window, designed to draw attention to the flames and create an immersive experience for users.



DEFRA approved for burning wood in a smoke controlled area and supported by the Capital Stoves Lifetime Warranty.

**Fuel Type:** Wood Only

**Nom. Heat Output:** 5kW

**Efficiency:** Up to 83%

**Flue Exit:** Top or Rear

**Flue Size:** 125mm

**Ventilation:** Not normally required (page 82)

**Suitable for a Light Duty Hearth:** Yes

**Outside Air Kit Available:** Yes

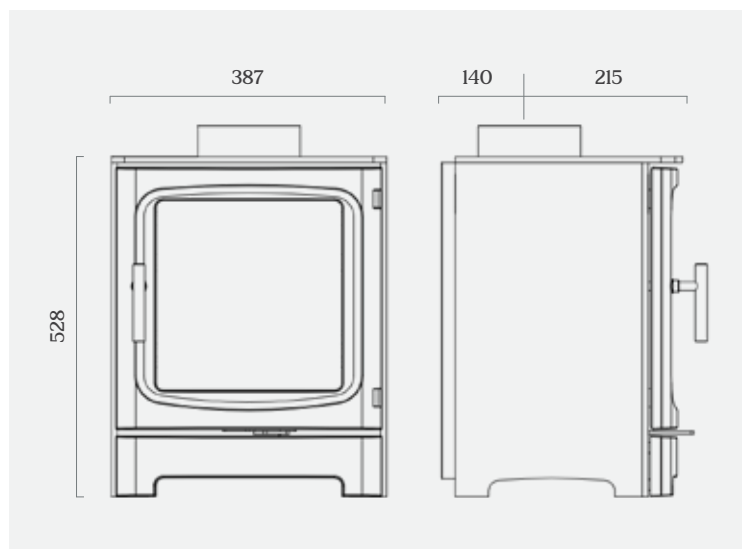
**Construction:** Cast Iron & Steel

**Clearance to Combustibles:** 200mm (Rear)

400mm (Sides)\*

Clearance to Non-Combustibles: 50mm\*

\*Please refer to the installation instructions for more information



A+



# Woodrow 5 Eco Quad

Eco 2022 Wood Only Stove

Simplistic in design, the Woodrow 5 Eco Quad offers an immersive experience through the large glass window. The introduction of the quad leg set elevates the overall design and brings a fresh look to this stylish and versatile stove.

DEFRA approved for burning wood in a smoke controlled area and supported by the Capital Stoves Lifetime Warranty.

**Fuel Type:** Wood Only

**Nominal Heat Output:** 5kW

**Efficiency:** Up to 83%

**Flue Exit:** Top or Rear

**Flue Size:** 125mm

**Ventilation:** Not normally required (page 82)

**Suitable for a Light Duty Hearth:** Yes

**Outside Air Kit Available:** Yes

**Construction:** Cast Iron & Steel

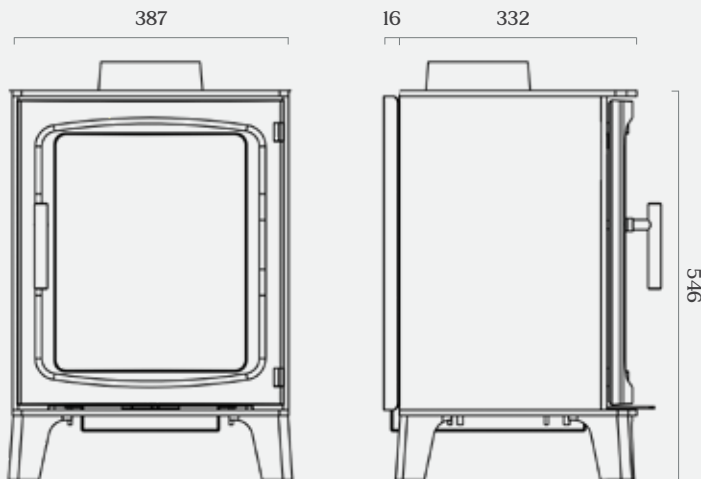
**Clearance to Combustibles:** 200mm (Rear) 400mm (Sides)\*

**Clearance to Non-Combustibles:** 50mm\*

\*Please refer to the installation instructions for more information



CLEANER  
CHOICE



**NEW  
STOVE**



THE NATIONAL  
FOREST

lifetime  
warranty

outside  
air kit  
available



A+

# Holsworthy 5 Eco

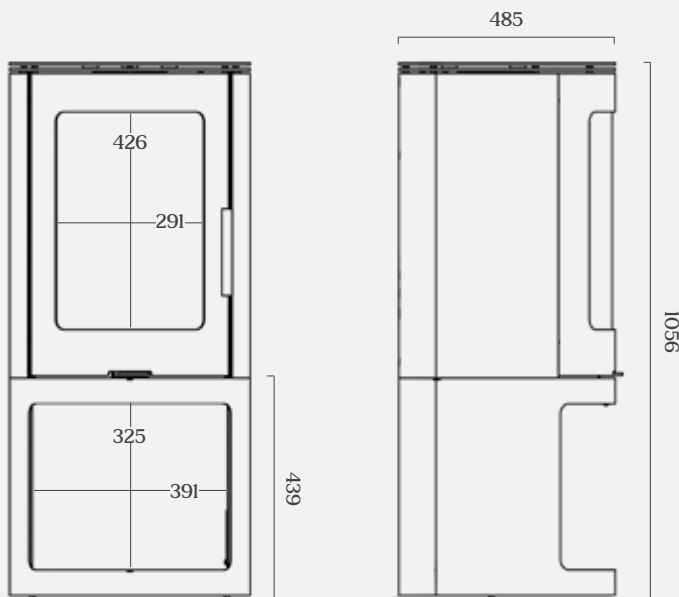
Eco 2022 Wood Only Stove



Featuring a large window and built-in log store, the Holsworthy is contemporary and stylish. Not only is the Holsworthy visually stunning, the built-in log store provides a functional element, enabling you to keep your logs within reach for convenience. An Outside Air Kit is included as standard.

- Fuel Type:** Wood Only
- Nominal Heat Output:** 4.9kW
- Efficiency:** Up to 84%
- Flue Exit:** Top or Rear
- Flue Size:** 125mm
- Ventilation:** Not normally required (page 82)
- Suitable for a Light Duty Hearth:** Yes
- Outside Air Kit Available:** Yes (Included)
- Construction:** Steel
- Clearance to Combustibles:** 50mm (Rear) 250mm (Sides)\*
- Clearance to Non-Combustibles:** 50mm\*

\*Please refer to the installation instructions for more information







lifetime  
warranty

outside  
air kit  
included



A+



## Panamera Eco

Eco 2022 Wood Only Stove

The Panamera stove is contemporary and sleek, featuring a large curved glass door and steel constructed body. This modern stove is highly versatile, with two optional leg sets available to create three individual styles.



CLEANER CHOICE



DEFRA approved for burning wood in a smoke controlled area and supported by the Capital Stoves Lifetime Warranty.

**Fuel Type:** Wood Only

**Nom. Heat Output:** 4.9kW

**Efficiency:** Up to 84%

**Flue Exit:** Top or Rear

**Flue Size:** 125mm

**Ventilation:** Not normally required (page 82)

**Light Duty Hearth:** Only with Supreme Legs

**Outside Air Kit Available:** No

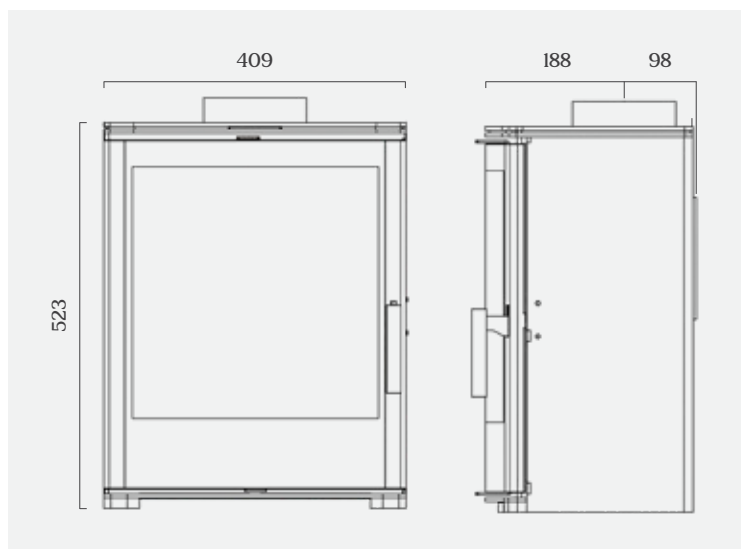
**Construction:** Steel

**Clearance to Combustibles:** 400mm (Top)

300mm (Sides)\*

Clearance to Non-Combustibles: 50mm\*

\*Please refer to the installation instructions for more information



A



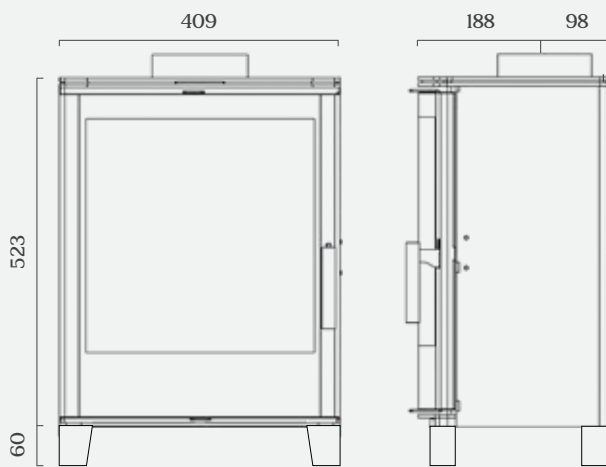


lifetime  
warranty

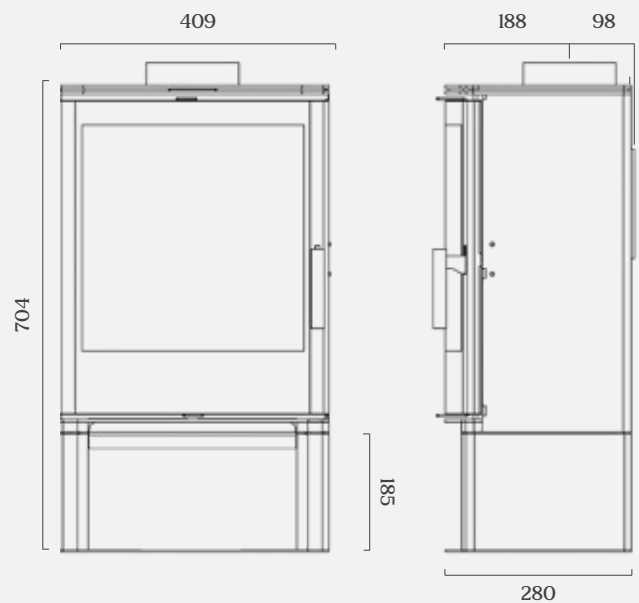




Supreme Leg Set



Panamera (Prime Legs)



Panamera (Supreme Legs)

# Verena Eco

## Eco 2022 Wood Only Stove

The Verena Eco stove is sleek and compact with a stylish curved steel body and glass door. A great contemporary choice for smaller rooms and fireplaces, the Verena has a choice of two additional leg options for greater versatility.

DEFRA approved for burning wood in a smoke controlled area and supported by the Capital Stoves Lifetime Warranty.

**Fuel Type:** Wood Only

**Nom. Heat Output:** 4.9kW

**Efficiency:** Up to 84%

**Flue Exit:** Top or Rear

**Flue Size:** 125mm

**Ventilation:** Not normally required (page 82)

**Light Duty Hearth:** Only with Supreme Legs

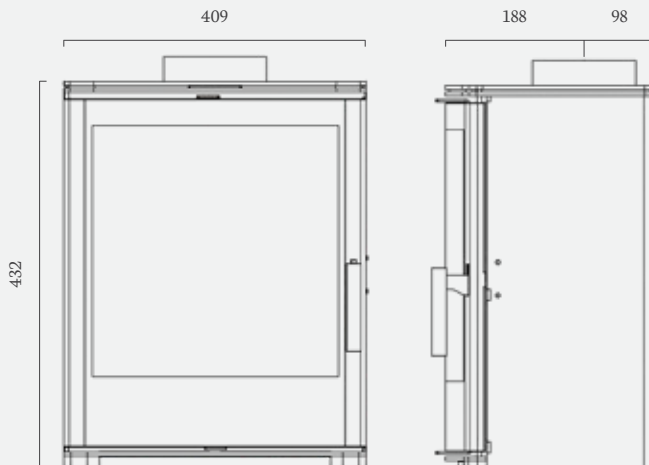
**Outside Air Kit Available:** No

**Construction:** Steel

**Clearance to Combustibles:** 400mm (Top) 300mm (Sides)\*

**Clearance to Non-Combustibles:** 50mm\*

\*Please refer to the installation instructions for more information







A



# Savona Eco

Eco 2022 Wood Only Stove

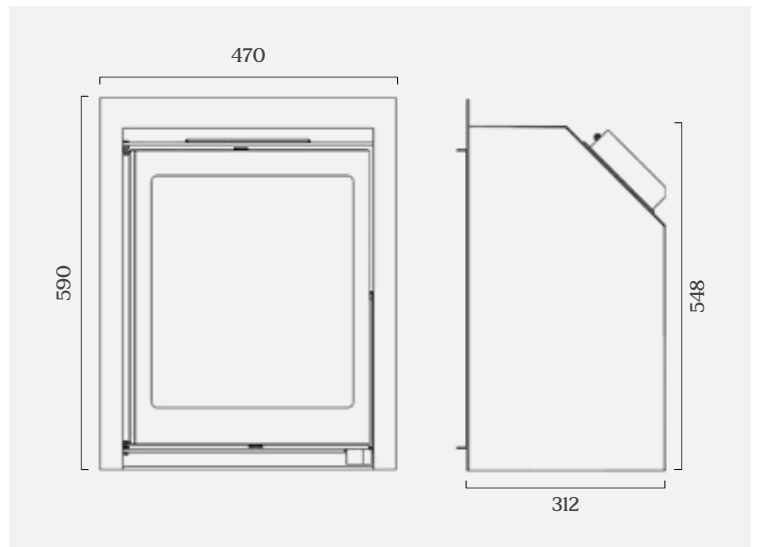
The Savona Eco is a contemporary and stylish inset stove with a large glass window. This stove is highly versatile, it can be installed into a traditional fireplace surround or as a hole-in-the-wall feature for a modern aesthetic.



DEFRA approved for burning wood in a smoke controlled area and supported by the Capital Stoves Lifetime Warranty.

**Fuel Type:** Wood Only  
**Nom. Heat Output:** 4.9kW  
**Efficiency:** Up to 76%  
**Flue Exit:** Top (Angled)  
**Flue Size:** 125mm  
**Ventilation:** Not normally required (page 82)  
**Suitable for a Light Duty Hearth:** No  
**Outside Air Kit Available:** No  
**Construction:** Steel  
**Clearance to Combustibles:** Back of chamber must be non-combustible. 600mm (Sides)\*

\*Please refer to the installation instructions for more information



A



Savona with a 4 Sided Trim & Honed Granite Wall Frame





**NEW**  
**GAS**  
**STOVE**

## Athena Gas

### Natural Gas Stove

The Athena is a new, stylish balanced flue gas stove that embodies cutting edge innovation and meticulous attention to detail. Featuring a subtly curved main body with stainless steel detailing, the Athena offers the ultimate immersive experience via its three large windows and reflective black glass rear panel. The hand decorated ceramic fuel bed is easily ignited at the touch of a button with an intuitive remote control. Simplicity of installation and maintenance are at the forefront of this design with multiple 'fitter friendly' features being introduced.

**Fuel Type:** Natural Gas

**Nominal Heat Output:** 4.5kW

**Efficiency:** 83%

**Control:** Remote Control

**Flue Exit:** Top

**Balanced Flue Connection:** 100mm (Outlet) 150mm (Inlet)

**Ventilation:** Not normally required (page 82)

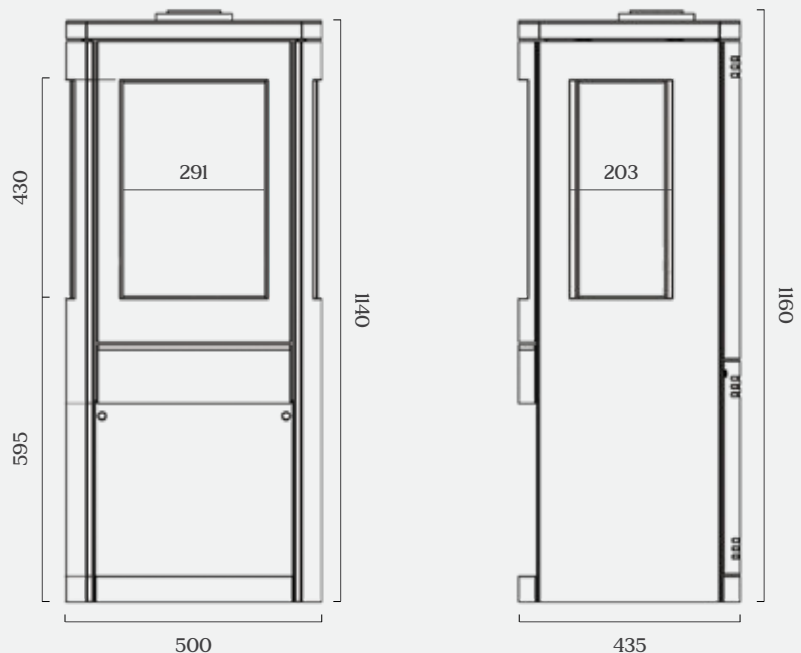
**Suitable for a Light Duty Hearth:** Yes

**Construction:** Steel

**Clearance to Combustibles:** 50mm (Rear) 300mm (Sides) 250mm (Above)\*

**Clearance to Non-Combustibles:** 50mm (Rear) 150mm (Sides) 150mm (Above)\*

\*Please refer to the installation instructions for more information





## Avebury Gas

Natural Gas or LPG Stove

The defining feature of the Avebury Gas stove is the large, arched glass window which is perfect for maintaining an optimal view of the gas flames. Subtle detailing adds character and charm to the design of this stove.

The ultra-realistic ceramic log set enhances the visual appeal and preserves the authentic aesthetic.

Supported by a manufacturer's 2 year warranty.



**Fuel Type:** Natural Gas or LPG

**Nom. Heat Output & Range:** 4.7kW/4.4kW

**Efficiency:** Up to 79%

**Control:** Remote Control

**Flue Exit:** Top

**Flue Size:** 125mm

**Ventilation:** Not normally required (page 82)

**Suitable for a Light Duty Hearth:** Yes

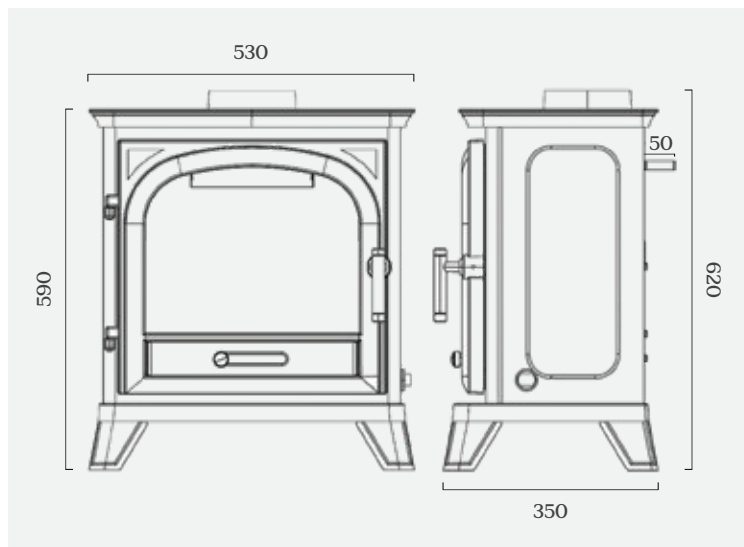
**Construction:** Cast Iron

**Clearance to Combustibles:** 400mm\*

**Clearance to Non-Combustibles:** 30mm (Rear)

160mm (Sides) 300mm (Above)\*

\*Please refer to the installation instructions for more information



**2** year  
warranty

  
remote  
controlled



**NEW &  
IMPROVED  
REDUCED  
CLEARANCES**

## Bassington Gas

Natural Gas or LPG Stove

The Bassington Gas stove features a large glass window and ultra-realistic ceramic log set, fully optimising the user experience. Offering two colour options (Black or Warm White Enamel) and three

leg set options (Standard, Skirted or Baseline), the Bassington Gas stove is highly versatile and stylish. Supported by a manufacturer's 2 year warranty. Warranty excludes the finish on Warm White Enamel.

**Fuel Type:** Natural Gas or LPG

**Nom. Heat Output & Range:** 4.7kW/4.4kW

**Efficiency:** Up to 79%

**Control:** Remote Control

**Flue Exit:** Top

**Flue Size:** 125mm

**Ventilation:** Not normally required (page 82)

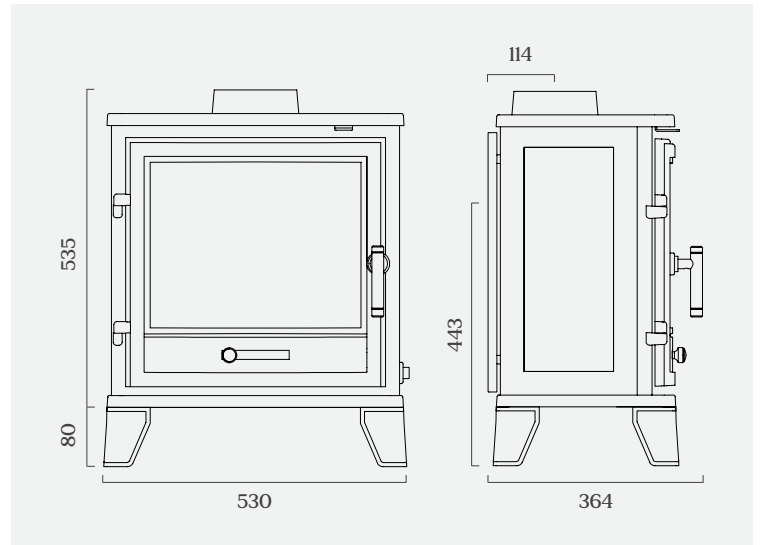
**Suitable for a Light Duty Hearth:** Yes

**Construction:** Cast Iron

**Clearance to Combustibles:** 600mm\*

**Clearance to Non-Combustibles:** 30mm (Rear)

160mm (Sides) 300mm (Above)\*



\*Please refer to the installation instructions for more information



Warm White Enamel





# Bassington Compact Gas

Natural Gas or LPG Stove

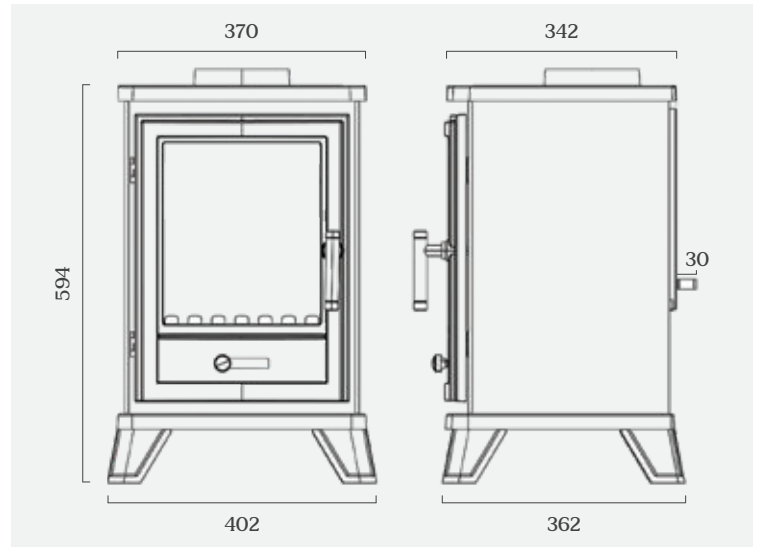
The Bassington Compact Gas stove is perfectly designed to suit smaller rooms and fireplace openings. Available with Standard and Skirted leg options, the Bassington Compact Gas stove can be styled to complement contemporary or traditional spaces.

The ceramic log set is ultra-realistic and enhances the visual appeal through maintaining a lifelike aesthetic.

Supported by a manufacturer's 2 year warranty.

**Fuel Type:** Natural Gas or LPG  
**Nom. Heat Output & Range:** 3.8kW/3.75kW  
**Efficiency:** Up to 81%  
**Control:** Remote Control  
**Flue Exit:** Top  
**Flue Size:** 125mm  
**Ventilation:** Not normally required (page 82)  
**Suitable for a Light Duty Hearth:** Yes  
**Construction:** Cast Iron  
**Clearance to Combustibles:** 250mm (Rear)  
250mm (Sides) 400mm (Above)\*  
**Clearance to Non-Combustibles:** 30mm  
(Rear) 160mm (Sides) 300mm (Above)\*

\*Please refer to the installation instructions for more information



Designed for smaller spaces





## Kirkham Gas

Natural Gas or LPG Stove

The Kirkham Gas stove is perfectly designed to suit smaller rooms and fireplace openings. The curved door with contrasting silver handle and primary air controller bring a modern edge to this stylish stove.

To enhance the authentic appearance and visual appeal, the Kirkham comes with an ultra-realistic ceramic log set.

Supported by a manufacturer's 2 year warranty.



**Fuel Type:** Natural Gas or LPG

**Nom. Heat Output & Range:** 3.8kW/3.75kW

**Efficiency:** Up to 81%

**Control:** Remote Control

**Flue Exit:** Top

**Flue Size:** 125mm

**Ventilation:** Not normally required (page 82)

**Suitable for a Light Duty Hearth:** Yes

**Construction:** Cast Iron

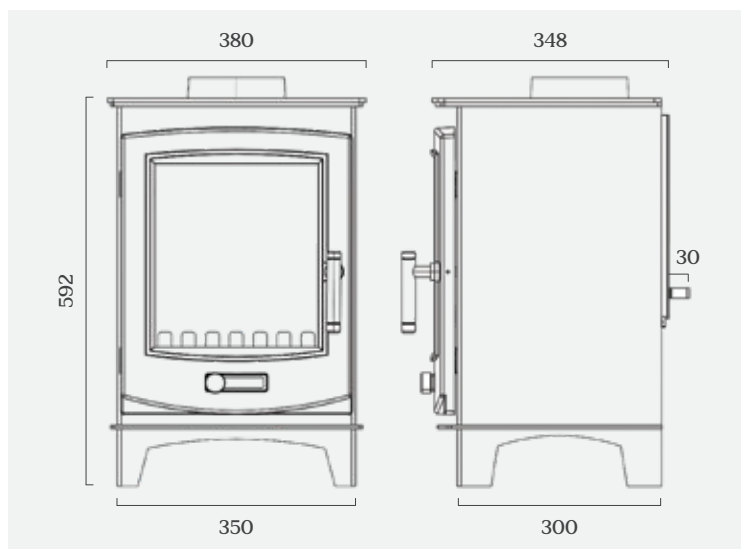
**Clearance to Combustibles:** 250mm (Rear)

250mm (Sides) 400mm (Above)\*

**Clearance to Non-Combustibles:** 30mm

(Rear) 160mm (Sides) 300mm (Above)\*

\*Please refer to the installation instructions for more information



*Designed for smaller spaces*



**2** year  
warranty

remote  
controlled



## Blackthorn

### Electric Stove

The Blackthorn electric stove replicates the charm of a classic log burner, adding warmth and ambience to any room. With captivating flame patterns and a real log fuel bed, this stove is ideal for homes without a chimney or gas supply. As the Blackthorn is chimney-free, it can be placed virtually anywhere in your home offering versatility and longevity.

For those looking to achieve a more authentic look, we have introduced a **NEW** optional flue kit to complement all three colour variations (Black, Classic Cream and Shadow Grey). The electric stove flue kit includes 1 x 400mm length pipe, 1 x 90 degree bend and 2 x additional spigots for the stove top and wall.

**Fuel Type:** Electric

**Output:** 1 - 2kW

**Control:** Remote Control

**Fuel Bed:** Premium Real Logs

**Finishes:** Choose from Black, Classic Cream <sup>NEW</sup>  
or Shadow Grey <sup>NEW</sup>

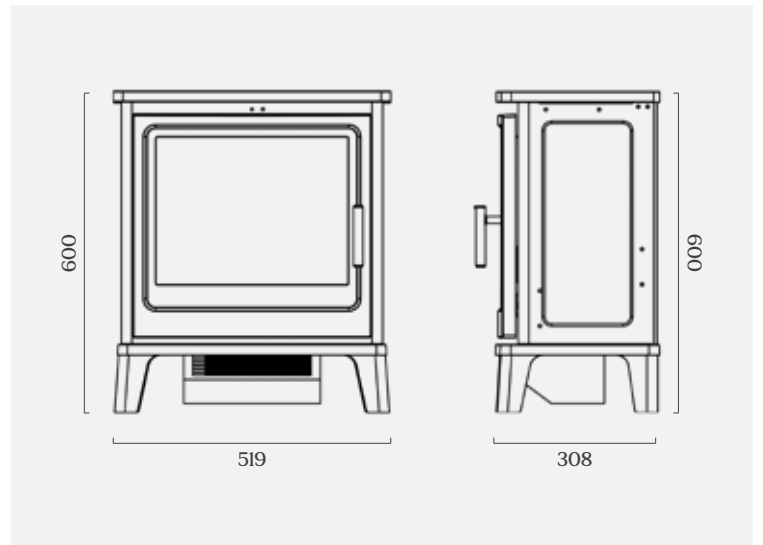
**Flame Effect:** 16 Options

**Dimmer:** Yes

**7 Day Timer:** Yes

**Thermostat:** Yes

**Optional Flue Kit Available:** Yes



**NEW** Classic Cream

**NEW  
COLOURS  
FOR 2024**



**NEW** Shadow Grey



## SLE42s

### Cylindrical Electric Stove

The SLE42s is a stylish cylindrical electric stove with a pedestal base, adding height and presence to any room. Its clever design hides the heater grill, offering a sleek contemporary look. The three glass panels provide an unparalleled view of the realistic e-tronic 3D flame effect, complete with a premium real log or hand-decorated ceramic fuel bed.

Without the need for a chimney or flue, the SLE42s is versatile and can be placed anywhere in your home. For those looking to achieve a truly authentic look, we have introduced a **NEW** optional flue kit including 1 x 400mm length pipe, 1 x 90 degree bend and 2 x spigots for the stove top and wall. The flue kit for the SLE42s is supplied in black to match the colour of the stove.

**Fuel Type:** Electric

**Output:** 0.9kW - 1.8kW Flame Effect Only

**Control:** Remote Control

**Fuel Bed:** Premium Real Logs

**Flame Effect:** Adjustable

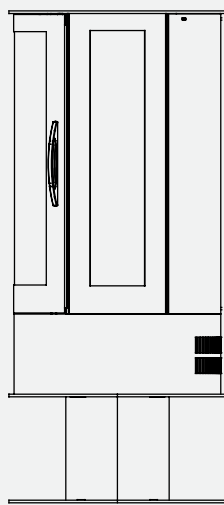
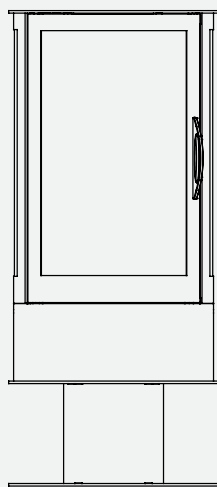
**Suitable for a Light Duty Hearth:** Yes

**Dimmer:** Yes

**7 Day Timer:** Yes

**Thermostat:** Yes

**Optional Flue Kit Available:** Yes



**2** year  
warranty

  
**remote**  
controlled



## SLE25i

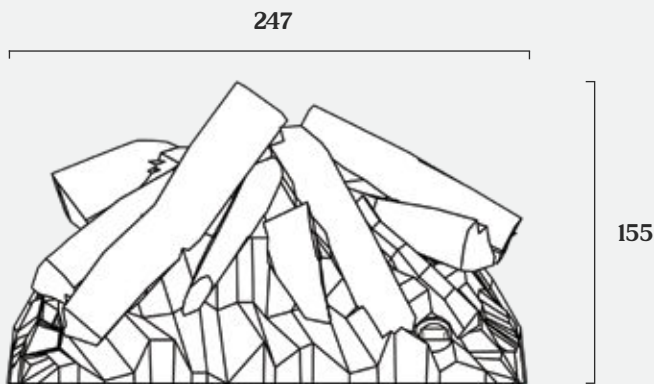
### Stove Illumination Insert

The SLE25i is a compact log effect insert, designed to fit into a wood burning stove and mimic a glowing ember fuel bed. This new and innovative electric stove insert is highly versatile. By placing the SLE25i into your stove in the summer months, you can enjoy the aesthetic of your stove without actually burning fuel. Additionally, the SLE25i is USB powered (battery or mains), offering a convenient energy source. Providing a warm, flickering effect with its realistic log fuel bed, this insert is specifically engineered to fit in most 4-5 kW stoves, ensuring compatibility with a wide range of set-ups.

**Fuel Bed:** Log Effect

**Heat Output:** Effect Only

**Control:** Manual (with 8 hour automatic timer)



**Depth:** 180mm

*The SLE25i electric stove insert is engineered to fit in most 4-5 kW stoves. Speak to your local fireplace retailer for further advice.*

**NEW  
PRODUCT**



**2** year  
warranty

  
**remote**  
controlled

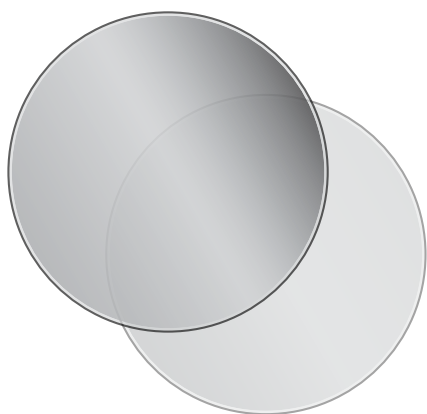


# Light Duty Stove Glass Hearths

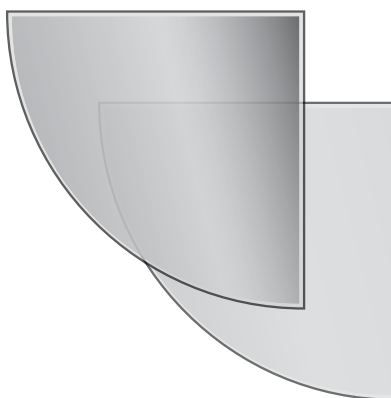
Our high quality, light duty 12mm thick tempered glass hearths are a contemporary alternative to traditional hearths.

Available in six shapes with an option of smoked or transparent finishes, these glass hearths perfectly complement our stove range.

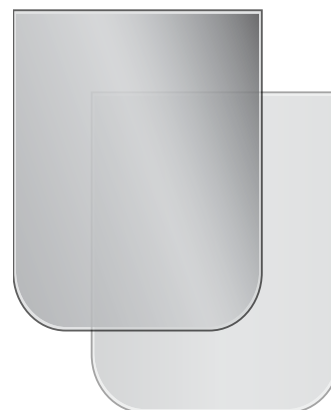
**CIRCULAR**  
1100mm x 1100mm



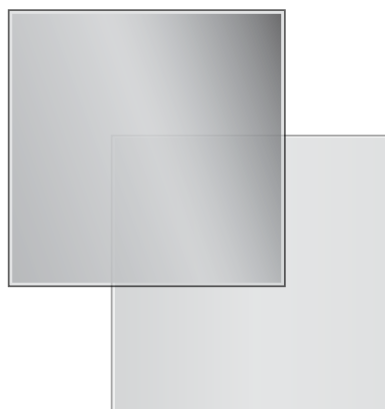
**QUADRANT**  
1200mm x 1200mm



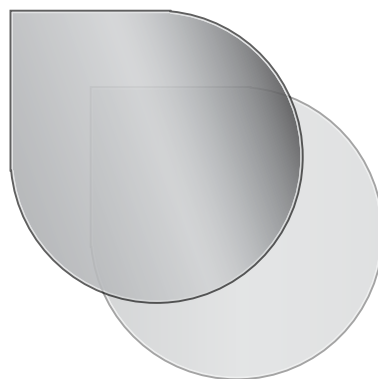
**SEMI-CIRCLE**  
1100mm x 850mm



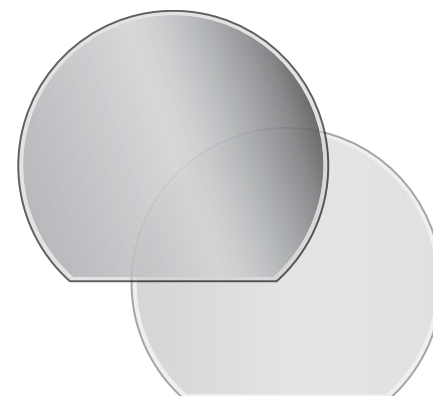
**SQUARE**  
900mm x 900mm



**TEAR DROP**  
1100mm x 1100mm



**TRUNCATED**  
1100mm x 950mm









# Stove Chambers



## Technical Specification

### Brick Chamber Dimensions (mm):

1x (1015 w x 1000 h x 30 thick) 2x (450 w x 1000 h x 30 thick)

### \*Brick Chamber Dimensions (mm):

1x (1030 w x 1000 h x 30 thick) 2x (450 w x 1000 h x 30 thick)

### Slate Chamber Dimensions (mm):

1x (1015 w x 1000 h x 25 thick) 2x (450 w x 1000 h x 25 thick)

### Dove Grey Chamber Dimensions (mm):

1x (950 w x 1000 h x 35 thick) 2x (450 w x 1000 h x 35 thick)

### Arched Chamber Dimensions (mm):

1x (890 w x 920 h x 37 thick) 2x (450 w x 920 h x 37 thick)

Brick Side Return Depth: 98mm

Arch: 980 w x 205 h x 98 return

Arch Opening: 740 w x 810 h (from floor level)

### Made to Measure

Selected styles of chambers are available as made to measure on a POA basis. Please contact us for a quote.

### Clearances

Minimum clearance distances apply, visit our website or refer to the installation instructions for more information.

All dimensions are provided in millimetres (mm).

Please allow + / - 10mm tolerance due to varying thicknesses of materials and the manufacturing process. Please check individual chamber sizes with your retailer.

Please note that colours may vary to those pictured.

---

**BRAZILIAN SLATE CHAMBERS**

---



ANTIQUE RIVEN SLATE



GRAPHITE RIVEN SLATE

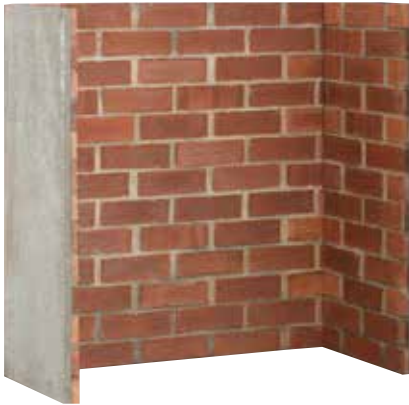


GREY BRUSHED SLATE

---

**BRICK CHAMBERS**

---



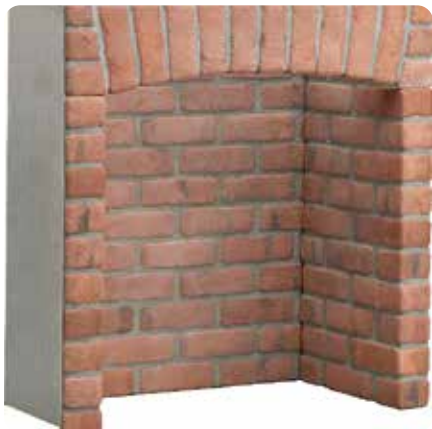
COBBLED RED



RUSTIC



RUSTIC HERRINGBONE



RETURNS & ARCH  
MADE TO ORDER



ANDALUSIA\*



DOVE GREY

**BRICK CHAMBERS**



GREY BRICK BOND MONTAGE\*



GREY HERRINGBONE



STORM GREY\*



ICE GREY HERRINGBONE\*



LUCENA\*



SUNSET RED\*



LUME BLUE



SMOKE GREY



GREY



**BRICK CHAMBERS**



**NAVARRA\***



**POMPEII**



**RAINBOW**



**FROSTED ICED GREY\***



**FROSTED ICED GREY HERRINGBONE\***



**SANTIAGO**



**URBAN DUSK\***



**URBAN DUSK HERRINGBONE\***



**ZAMORA\***

---

**BRICK CHAMBERS**

---



RIVEN SLATE



RUSTY SLATE



SILVER GREY



CHARCOAL GREY WATERFALL



COSMIC BLACK



OLIVE WATERFALL



RUSTIC RIVEN STAGGERED



OYSTER SLATE

---

**BRICK CHAMBERS**

---



**TRAVERTER GREY**

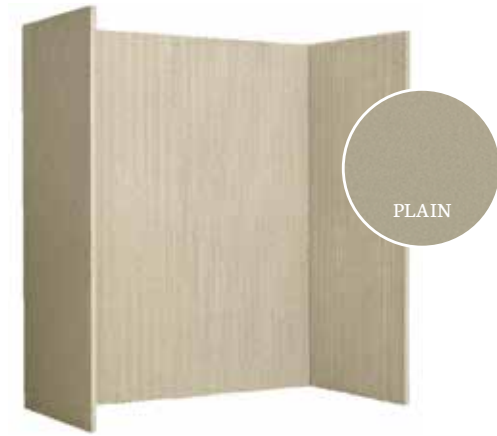


**TRAVERTER WHITE**

---

**SKAMOLEX & STONE**

---



**SKAMOLEX FIREBOARD**  
PLAIN OR REEDED - 4X (610W X 1000H X 25 THICK)



**CAST IRON REEDED**  
4X (380W X 915H X 7 THICK)



**PORTUGUESE LIMESTONE**



**CORINTHIAN STONE**  
(MADE TO MEASURE NOT AVAILABLE)





# Chamber Trim Kits

**A quick and easy way to finish off your fireplace chamber.**

Equipped with magnetic corner pieces, these chamber trim kits simplify the trimming process while ensuring a secure fit. Available in Stainless Steel or Black, these trim kits effortlessly enhance the aesthetic appeal of any fireplace, offering practicality and ease of use.

**1100mm (x3) x 40mm Face x 35mm Return**



# Geocast<sup>®</sup> Beams

Our non-combustible Geocast<sup>®</sup> Beams have been developed from a natural, inorganic material that is extremely durable and non-combustible. Being non-toxic and heat resistant, Geocast<sup>®</sup> Beams offer more flexibility for installation requirements and added peace of mind.

The Geocast<sup>®</sup> Beam range has been designed and moulded to a high-definition specification, creating a truly authentic and realistic effect. Real wooden beams were used in the design process to ensure that we could create a likeness that was harmonious in colour, shape and texture to real wood.

Although minimum clearance distances to the stove still apply, Geocast<sup>®</sup> Beams allow installation distances to be much closer than real wood. Please refer to instructions on our website for further detail at [www.capitalfireplaces.co.uk/technical](http://www.capitalfireplaces.co.uk/technical)



## DELUXE GEOCAST<sup>®</sup> BEAM BRACKET

Compatible with any of our 48 inch and 54 inch length beams, this innovative new bracket allows you to install any Geocast<sup>®</sup> Beam on an uneven wall. Supplied with fixing brackets, bolts and a measuring guide, the Deluxe Geocast<sup>®</sup> beam bracket makes installation easy and efficient.





SEE ON  
PAGE 52

CLASSIC DARK OAK  
36", 42", 48", 54"



SEE ON  
PAGE 32

CLASSIC LIGHT OAK  
36", 42", 48", 54"



SEE ON  
PAGE 37

AMBIENT LIGHTING  
48" & 54" CLASSIC BEAMS



SEE ON  
PAGE 26

RUSTIC DARK OAK  
48", 54"



SEE ON  
PAGE 11

RUSTIC NATURAL OAK  
48", 54"



SEE ON  
PAGE 8

HERITAGE NATURAL OAK  
48", 54"



SEE ON  
PAGE 54

**NEW  
BEAM**

CONTEMPORARY GREY OAK\*  
48"



SEE ON  
PAGE 24

CONTEMPORARY STONE  
48"



SEE ON  
PAGE 14

**NEW  
BEAM**

AMERICAN DARK OAK  
48"

\*Contemporary grey oak is not Geocast®

# Tiled Hearths

Our brand new selection of tiled hearths will bring charm and character to your fireplace, perfect for creating a cosy cottage or rustic farmhouse aesthetic. Available in four colours and two size options, these tiled hearths offer a stylish alternative to traditional granite or slate.



Available Sizes:

48 x 12" (FRONT) + 36 x 16" (TONGUE) / 1213 x 305mm (FRONT) + 914 x 406mm (TONGUE)

56 x 12" (FRONT) + 36 x 16" (TONGUE) / 1422 x 305mm (FRONT) + 914mm x 406mm (TONGUE)



HIGHLAND RED



URBAN DUSK



STEEL GREY



ICED WHITE





**HARLEQUIN (50" & 61")**

1270 X 381 (FRONT) + 950 X 450 (TONGUE)

1550 X 381 (FRONT) + 950 X 450 (TONGUE)



**DIAMOND QUARRY RED (48" & 54")**

1225 X 381 (FRONT) + 950 X 450 (TONGUE)

1375 X 381 (FRONT) + 950 X 450 (TONGUE)



**DIAMOND QUARRY WHITE (48" & 54")**

1225 X 381 (FRONT) + 950 X 450 (TONGUE)

1375 X 381 (FRONT) + 950 X 450 (TONGUE)



**CUBE (47" & 55")**

1200 X 400 (FRONT) + 950 X 450 (TONGUE)

1400 X 400 (FRONT) + 950 X 450 (TONGUE)

**NORSTAR WHITE (47" & 55")**

1200 X 400 (FRONT) + 950 X 450 (TONGUE)

1400 X 400 (FRONT) + 950 X 450 (TONGUE)



**NORSTAR BLACK (47" & 55")**

1200 X 400 (FRONT) + 950 X 450 (TONGUE)

1400 X 400 (FRONT) + 950 X 450 (TONGUE)



**STAR (47" & 55")**

1200 X 400 (FRONT) + 950 X 450 (TONGUE)

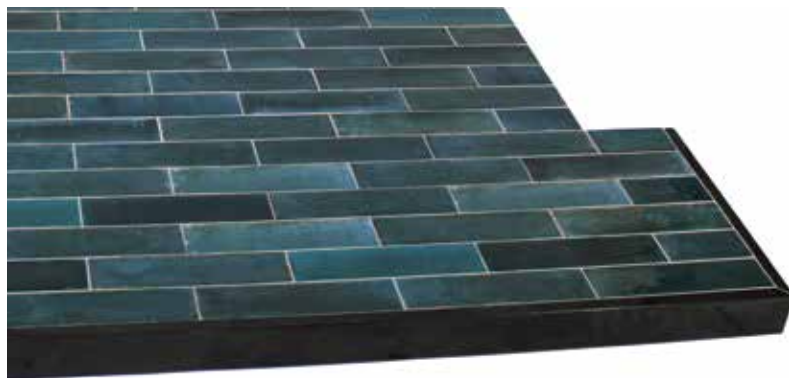
1400 X 400 (FRONT) + 950 X 450 (TONGUE)



**LUME BLUE (49" & 54")**

1240 X 381 (FRONT) + 950 X 450 (TONGUE)

1370 X 381 (FRONT) + 950 X 450 (TONGUE)



# Farmhouse Stone Hearths

Inspired by the allure of country-style decor and living, this natural stone radiates a warm and inviting ambience. Carefully honed with tumbled chiselled edges, it boasts a captivating blue-grey hue that evokes a rustic and timeless antique charm. Select from a range of size options for both front and back hearths, thoughtfully designed to cater to a variety of fireplace requirements.





# Brazilian Slate Hearths



**GRAPHITE RIVEN SLATE**



**ANTIQUE RIVEN SLATE**



**GREY BRUSHED SLATE**

3 polished edges as standard unless otherwise stated. Flat nominal 20mm height.

Boxed & Lipped nominal 50mm height.

# Technical Information

## STOVE VENTILATION

Houses built before 2008: Houses built before 2008 are likely to have an air permeability greater than  $5\text{m}^3/\text{h.m}^2$  so stoves with an output below  $5\text{kW}$  do not require an air vent. However, stoves with outputs above  $5\text{kW}$  require a permanently open vent. So for each  $\text{kW}$  of output above  $5\text{kW}$  allow  $550\text{mm}^2$  of air supply. Extensive renovation of an older property carried out after 2008 may reduce the air permeability to less than  $5\text{m}^3$ , in which case the guidance for houses built after 2008 should be followed. Chimneys with flue stabilisers are subject to different ventilation requirements.

Houses built after 2008: Houses built after 2008 with an air permeability of less than  $5\text{m}^3/\text{h.m}^2$  require the air supply to be calculated for the whole of the stove's rated output. This means that the installation of stoves with an output of less than  $5\text{kW}$  must now have a permanently open air vent. Allow  $550\text{mm}^2$  of air supply for each kilowatt of rated output. Seek advice from your retailer and building regulator.

## THE BURNING IN PERIOD

All Capital Stoves are manufactured from cast iron or steel therefore it is vital that appliances undergo a period of "burning in", this involves small fires initially, gradually increasing in size with each firing. When purchasing a stove, please remember to adhere to the following important points; always read user instructions prior to initially using the stove, burn only anthracite or kiln dried wood as this will give you up to twice the heat output and help reduce tar build up in the flue, never burn household waste and do not overload the stove at any one time.

Capital Fireplaces Ltd reserve the right to change specification or de-list products at any time. Due to the nature of the materials and appliances used within this brochure, actual finishes and colours may vary slightly. Flames shown may also vary depending on gas type, fuel quality and the performance of the flue or chimney, images in this brochure are for illustration purposes only.

Misplaced your Capital Stove manual?

No problem, digital copies can be found on our website [www.capitalfireplaces.co.uk/technical-information](http://www.capitalfireplaces.co.uk/technical-information)

## CLEANBURN STOVES

To burn fuel in a smoke controlled area the law determines that either the fuel should be smokeless or the appliance should be approved by DEFRA (Department of the Environment, Food and Rural Affairs) normally these appliances are approved by DEFRA for burning kiln dried wood. Some of our DEFRA approved products are capable of burning both kiln dried wood and anthracite in smoke control areas, a dual fuel use that most cleanburn products cannot offer.

All Capital Stoves are CE approved to EN13240.

Please note many of the flue pipes shown in this brochure have been sprayed with one of Capital Fireplaces high temperature paints to match the finish of the stove.

## CHOOSING THE RIGHT FUEL

Please note choosing the right fuel for your stove or fireplace is vital to ensure a lifetime of enjoyable, trouble-free use. To burn fuel in a smoke controlled area, the law determines the fuel should be smokeless or the appliance should be approved by DEFRA. Therefore we would only recommend burning kiln dried wood or anthracite, any other fuel or objects such as household waste will produce harmful gasses subsequently reducing the performance of your appliance. To ensure you are sourcing and burning the correct fuels, visit [www.readytoburn.org](http://www.readytoburn.org) for more information.

# Lifetime Warranty

## CAPITAL STOVE LIFETIME WARRANTY

All Capital multi fuel and wood burning stoves are covered by a lifetime warranty, unless otherwise stated, for added peace of mind (valid for original purchases only) from date of sale. This warranty excludes the following naturally wearing consumable items; door glass, firebricks, rope seals, baffle and grate (including riddling mechanism).

This warranty also excludes the “warm white enamel” finish on any of our stoves. Enamel finish products are inherently susceptible to crazing and chipping in the normal wear and tear of the product life.

**In addition, the following criteria must be met:**

- ✓ Sight of the data plate that should have been fitted by the approved installer.
- ✓ Proof of installation by HETAS or other approved body, or letter from Building Control confirming that the installation was installed in accordance with the Building Regulations.
- ✓ Proof of purchase from one of our approved suppliers.
- ✓ Proof of annual sweeping of chimney, at which time an inspection as to the condition of both the chimney and the stove should be carried out to allow for necessary maintenance to be performed.
- ✓ Only dry/seasoned wood with moisture content of less than 20% or Anthracite has been used.

Capital Fireplaces Ltd will accept no responsibility for installations which have been carried out that are not in accordance to the Building Regulations or if the conditions stated in the manufacturer’s instructions are not adhered to. Warranty applies to parts only.

## IMPORTANT POINTS

Always read user instructions prior to initially using the stove.

We recommend burning kiln dried wood, this will give you up to twice the heat output of freshly felled timber and helps reduce tar build up in the flue.

Do not overload the stove at any one time.

Never burn household rubbish as this can give off harmful gasses and will reduce the performance of the stove.

## CAPITAL GAS STOVES WARRANTY

We offer a 2 Year warranty on our Gas Stoves. Year 1 includes parts and labour, year 2 includes parts only. Subject to conditions, for further details please visit [www.capitalfireplaces.co.uk](http://www.capitalfireplaces.co.uk)

## CAPITAL ELECTRIC STOVES WARRANTY

We offer a 2 Year warranty on our Electric Stoves. Year 1 includes parts and labour, year 2 includes parts only. For further details, or to apply for our extended Platinum Warranty Plan, please visit [www.solutionfires.co.uk/warranty](http://www.solutionfires.co.uk/warranty)





SCAN TO VIEW  
FULL RANGE

# CAPITAL FIREPLACES

*[www.capitalfireplaces.co.uk](http://www.capitalfireplaces.co.uk)*