



i am
virtuo
evolve



Electric fireplaces 2024

i am  *since 1754*

The fire specialists since 1754

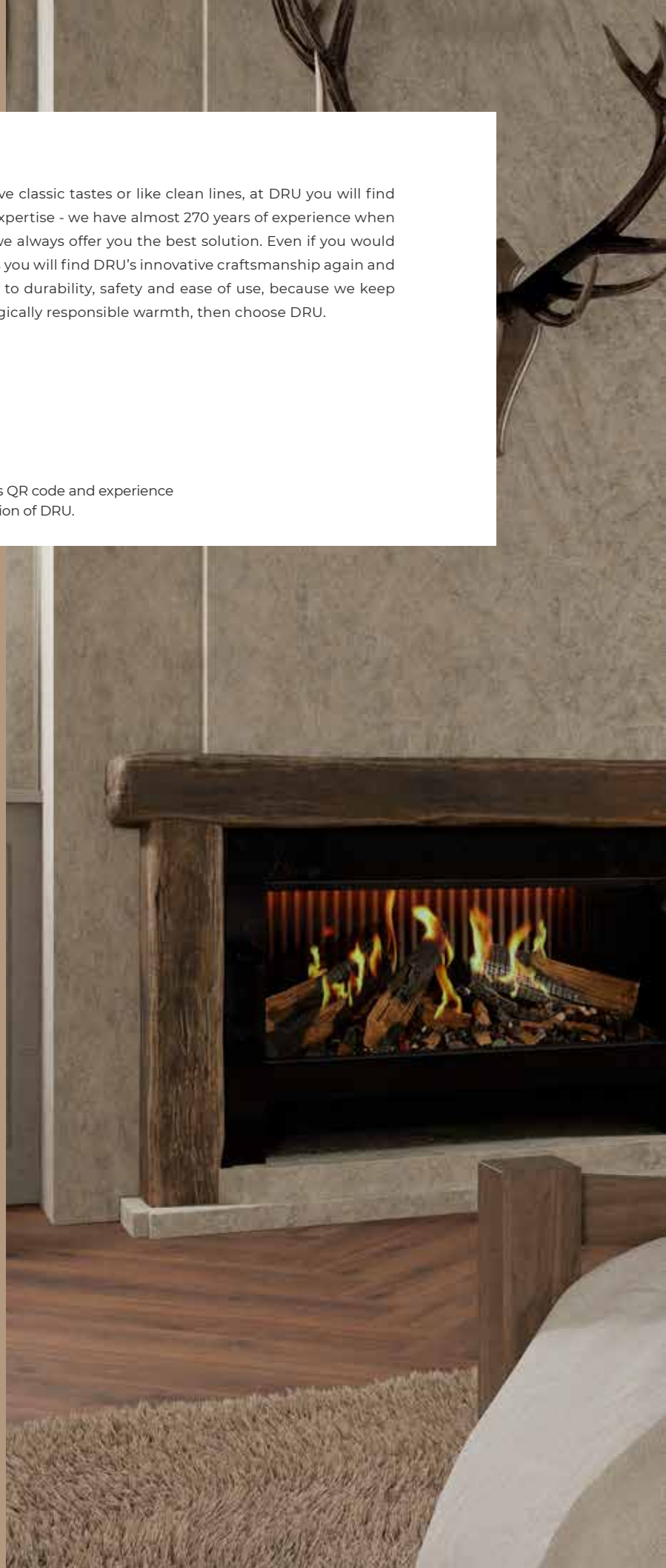
What could be more cosy than a blazing fire? Whether you have classic tastes or like clean lines, at DRU you will find the fire that suits you perfectly. Thanks to our knowledge and expertise - we have almost 270 years of experience when it comes to comfortable, sustainable and safe heat at home - we always offer you the best solution. Even if you would like to switch to electricity. In our extensive range of electric fires you will find DRU's innovative craftsmanship again and again. Each fire meets very strict requirements when it comes to durability, safety and ease of use, because we keep improving ourselves, year after year. If you are looking for ecologically responsible warmth, then choose DRU.



Scan this QR code and experience the passion of DRU.

contents

About DRU	2
Electrical evolution	3
Appearance	6
Burner bed	
Control	
Interior	
Experience	8
Flame images	
Heating	
Sound	
DRU fires	
Virtuo 100 Evolve, 100/3 Evolve	10
Virtuo 130 Evolve, 130/3 Evolve	12
Virtuo 180 Evolve, 180/3 Evolve	14
Virtuo 75, 80/2, 80/3	16
Technical details	
Line drawings	18
Technical data	18





i am virtuo evolve

Being electric, I offer you the full fire experience in 3D, but not the emissions. The fire experience is reflected in everything: My lifelike wood flames, pleasant warmth and crackling sound, for example. I am wonderfully atmospheric. You can continue to enjoy me, because I am incredibly sustainable. I have no combustion, emissions or exhaust. That is why they call me the ideal fireplace of the future. Your future. So sit back and take it easy. I move with the times.



Ultra realistic flame pattern.

Thanks to its natural logs and realistic flame pattern, the Virtuo Evolve looks almost exactly like a real fireplace.



Heating element.

The heat output? You control it all yourself with the heating element in the Virtuo Evolve.



Plug & play system.

You can easily place the Virtuo Evolve anywhere in your home. In fact, you don't need a chimney or flue because of its operation on electricity. One power outlet is all you need to enjoy a romantic fireplace.



Maintenance-friendly.

Because it runs on electricity, the Virtuo Evolve requires hardly any maintenance.



Scan this QR code for more information

DRU electric fires

atmosphere without emissions

If you say sustainable, you say Virtuo Evolve. Our electric fires have virtually no impact on the environment. They produce no greenhouse gases during use and burn no fossil fuels.

Nice and green!





Electric evolution

Even greener and even more realistic. We have developed our electric fireplaces to such an extent that the fire is indistinguishable from the real thing.

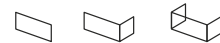
Never before has fire been so sustainable and realistic at the same time. So you enjoy all the atmosphere, but without the emissions.



Design for everyone

Do you like classic design or, on the contrary, sleek and modern? At DRU you will find electric fires for every taste and every space. From front fireplaces to fireplaces with 2- or 3-sided fire.

You choose!



Our range of fireplaces

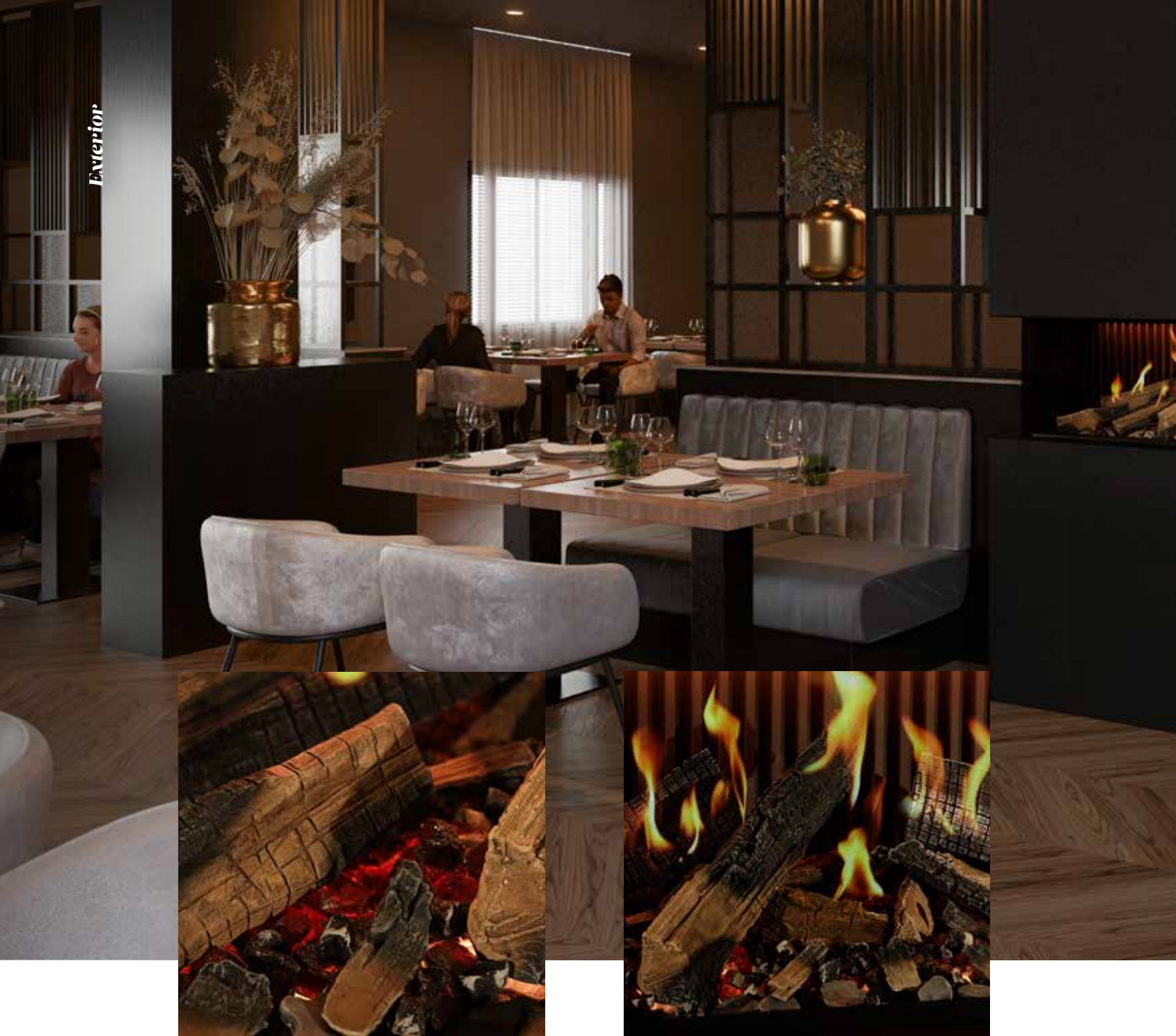
Endless installation options

Virtuo electric fires are available in several shapes and styles. Installation can be done anywhere, think of terraced houses, apartments but also hospitality establishments, restaurants and hotels. Unique benefits:

- No chimney or flue required
- Chimney breast or surround possible in all conceivable materials
- Very low energy consumption and super safe



Scan this QR code for the video DRU Virtuo Evolve



Burner bed

The bottom of a Virtuo fire is covered with natural-looking coals and chips with glow stones. Together with the beautifully crafted log set and the unique Eco Glow technology on the burner bed, the fireplace really comes to life. Determine your flame as well as the frequency, light intensity and colours of the glow bed for the ultimate fire experience at home.

Unique 3D projection technology

The projection technology specially developed by DRU ensures that the new fire is indistinguishable from real fire. Enjoy the beautiful flame images created using Evolve-Flame or Virtuo-Flame technology.

Scan this QR code for a video of the flames



the new fire experience

It doesn't matter whether you choose a Virtuo or a Virtuo Evolve fireplace.

I am always a stylish addition to your interior. And a unique one!

Because thanks to my projection technique, the flame is
indistinguishable from the real thing.

So sit back and relax. And enjoy my three-dimensional fire experience.



Control

You control the fire very easily via remote control or the DRU Fire app. Whereas the Virtuo 75, Virtuo 80/2 and Virtuo 80/3 are still controlled via WIFI, you connect the fireplaces from the Virtuo Evolve series quickly and easily via Bluetooth. The DRU Fire app is available in the App Store and Google Play Store.

This allows you to control the atmosphere and heat of your fire on any device.

Interior

The sleek finish of the rear panel in rib cast gives the Virtuo Evolve fireplaces a robust, modern look. Thanks to the completely dark interior of this type of fireplace, the flames appear fully 3D.

This effect is enhanced with the additional built-in LED strip at the top of the fireplace.



Amber Rise



Scarlet Rise



Flame images

Thanks to the unique 3D projection technology, you can enjoy realistic flame images. The flames alternate continuously, making the flame picture indistinguishable from real fire.

With Virtuo Evolve you choose from 4 standard flame images. Via the DRU Fire app you can easily download multiple (thematic) flame images such as sleighing Santa Claus, snow landscape, fireworks festival, etc.

simple enjoyment

Easily determine the atmosphere and heat in your home? You control it via my remote control or the DRU Fire app. Your perfect temperature, how much light

I provide and whether I may crackle like a real fire in the process.

I am happy to adapt to your needs.



Amber Glow



Artic Rise



Heating

Our Virtuo fireplaces are equipped with compact heating elements. Choose between a 1 or 2 kW heat output for quick and efficient heating.



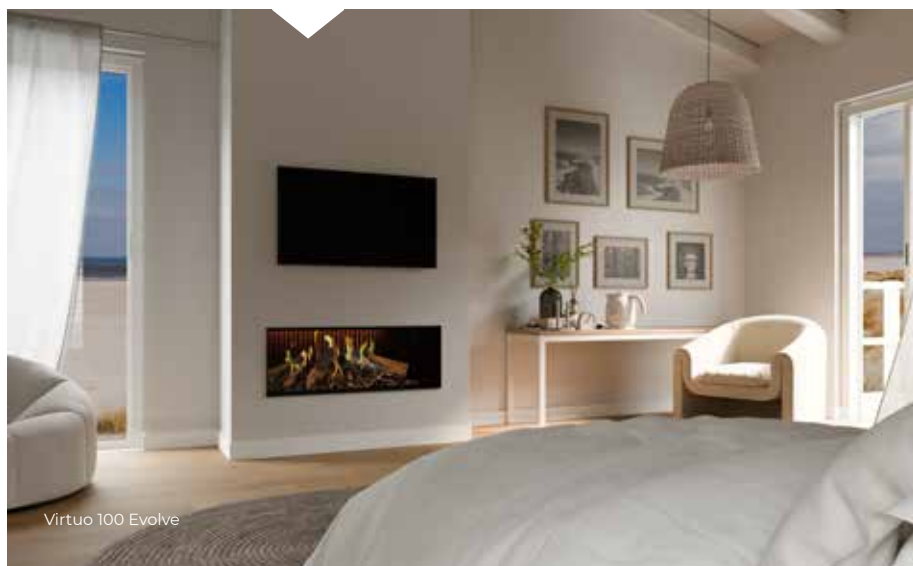
Sound

Complete your home fireplace experience with the sound of crackling fire.

Be inspired

Visit an authorised DRU dealer in your area for tailored advice and to view all electric fires up close. This way you can make a well-considered choice for a fire that you will enjoy for years to come.

Virtuo 100 Evolve - 100/3 Evolve



Virtuo 100 Evolve

Choose your own size:

(exact dimensions see P. 18)

100 - 100/3

130 - 130/3

180 - 180/3

Technical data:

Flame image	Evolve-Flame technology
Burner bed	Log set brown and Eco Glow (LED glow bed)
Interior	Rib cast
Heating	1000-2000 Watts (thermostatic and weekly programme)
Sound	Crackling wood fire
Operation	Remote control and app (Bluetooth)





Scan this QR code for
burning fire.



Scan this QR code for
burning fire.



Virtuo 130 Evolve - 130/3 Evolve



Virtuo 130/3 Evolve

Scan this QR code for
burning fire.

Choose your own size:

(exact dimensions see P. 18)

100 - 100/3

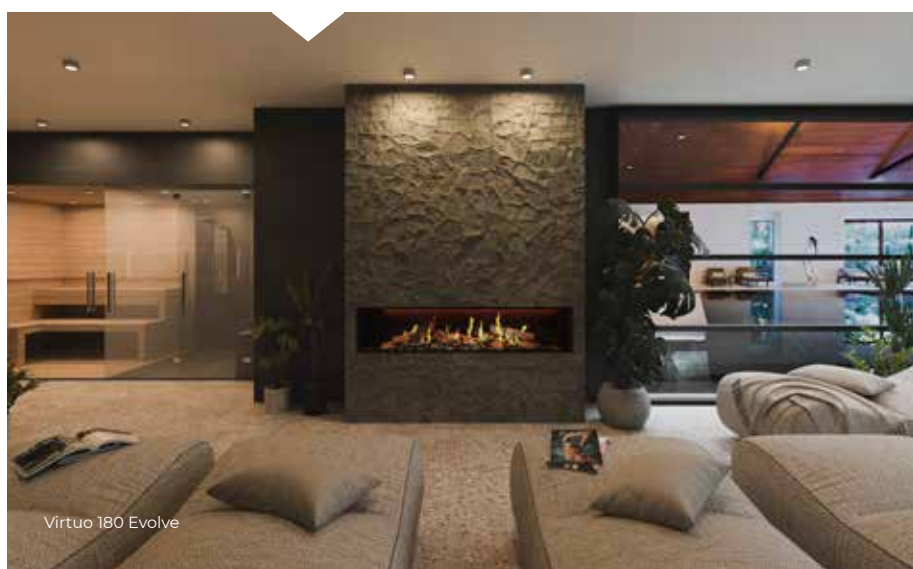
130 - 130/3

180 - 180/3

Technical data:

Flame image	Evolve-Flame technology
Burner bed	Log set brown and Eco Glow (LED glow bed)
Interior	Rib cast
Heating	1000-2000 Watts (thermostatic and weekly programme)
Sound	Crackling wood fire
Operation	Remote control and app (Bluetooth)

Virtuo 180 Evolve - 180/3 Evolve



Virtuo 180 Evolve

Choose your own size:

(exact dimensions see P. 18)

100 - 100/3

130 - 130/3

180 - 180/3

Technical data:

Flame image	Evolve-Flame technology
Burner bed	Log set brown and Eco Glow (LED glow bed)
Interior	Rib cast
Heating	1000-2000 Watts (thermostatic and weekly programme)
Sound	Crackling wood fire
Operation	Remote control and app (Bluetooth)





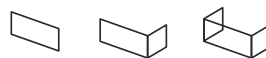
Scan this QR code for
burning fire.



Scan this QR code for
burning fire.



Virtuo 75 - 80/2 - 80/3



Choose your own size:

(exact dimensions see P.18)

75

80/2

80/3

Technical data:

Flame image	Virtuo-Flame technology
Burner bed	Log set brown and Eco Glow (LED glow bed)
Interior	Black decorative glass
Heating	1000-2000 Watts (thermostatic and weekly programme)
Sound	Crackling wood fire
Operation	Remote control and app (WIFI)



Virtuo 80/2

Scan this QR code for burning fire.



Virtuo 80/3

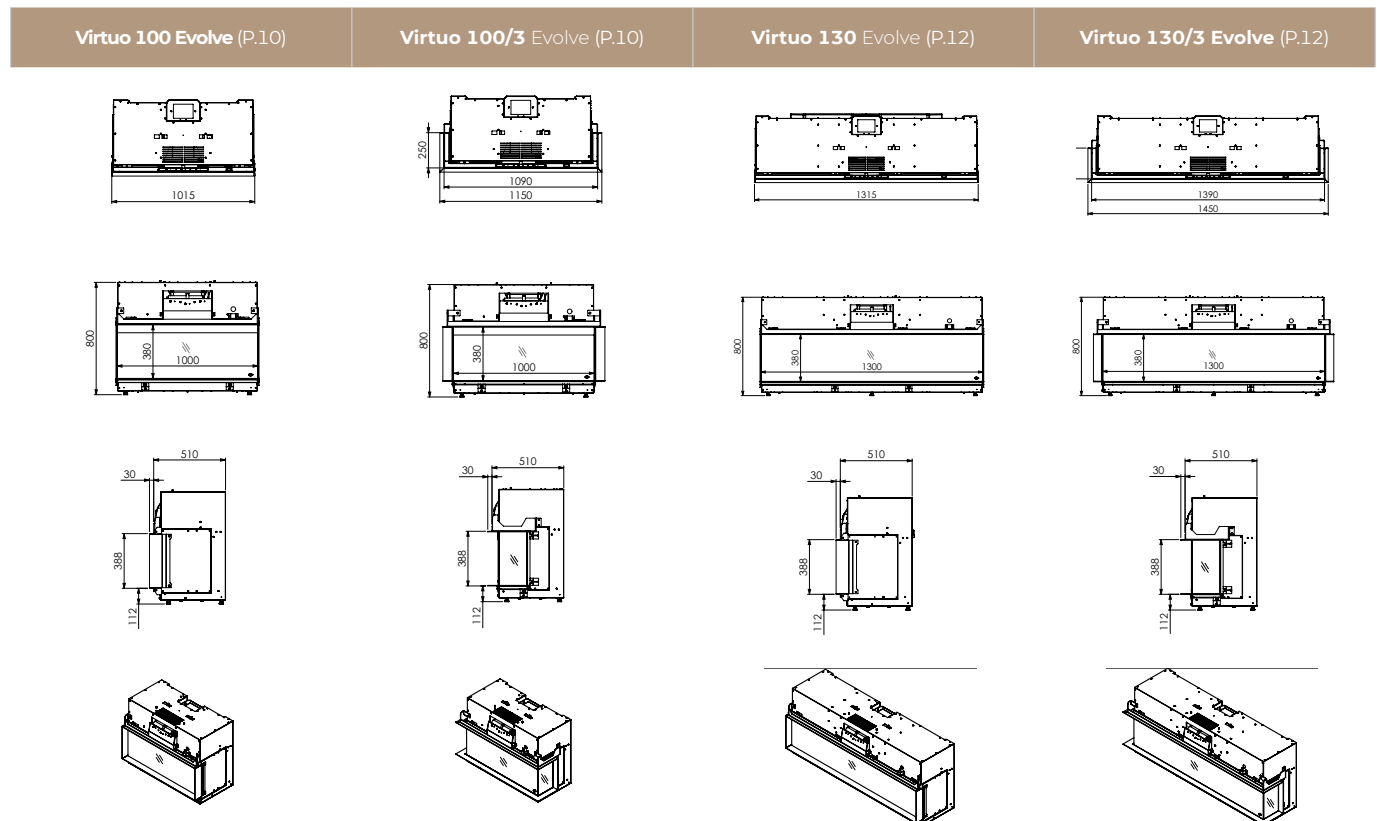
Scan this QR code for burning fire.

Technical specifications

	Page	Model	Built-in depth	Weight	Connection	Heating	Thermostat	Remote control	Connection	
			mm	kg	volt	watt			bluetooth	WiFi
Virtuo Evolve										
Virtuo 100 Evolve	10	Front	510	105	230	1000-2000	+	+	+	-
Virtuo 100/3 Evolve	10	3-sided	510	105	230	1000-2000	+	+	+	-
Virtuo 130 Evolve	12	Front	510	148	230	1000-2000	+	+	+	-
Virtuo 130/3 Evolve	12	3-sided	510	148	230	1000-2000	+	+	+	-
Virtuo 180 Evolve	14	Front	510	172	230	1000-2000	+	+	+	-
Virtuo 180/3 Evolve	14	3-sided	510	172	230	1000-2000	+	+	+	-

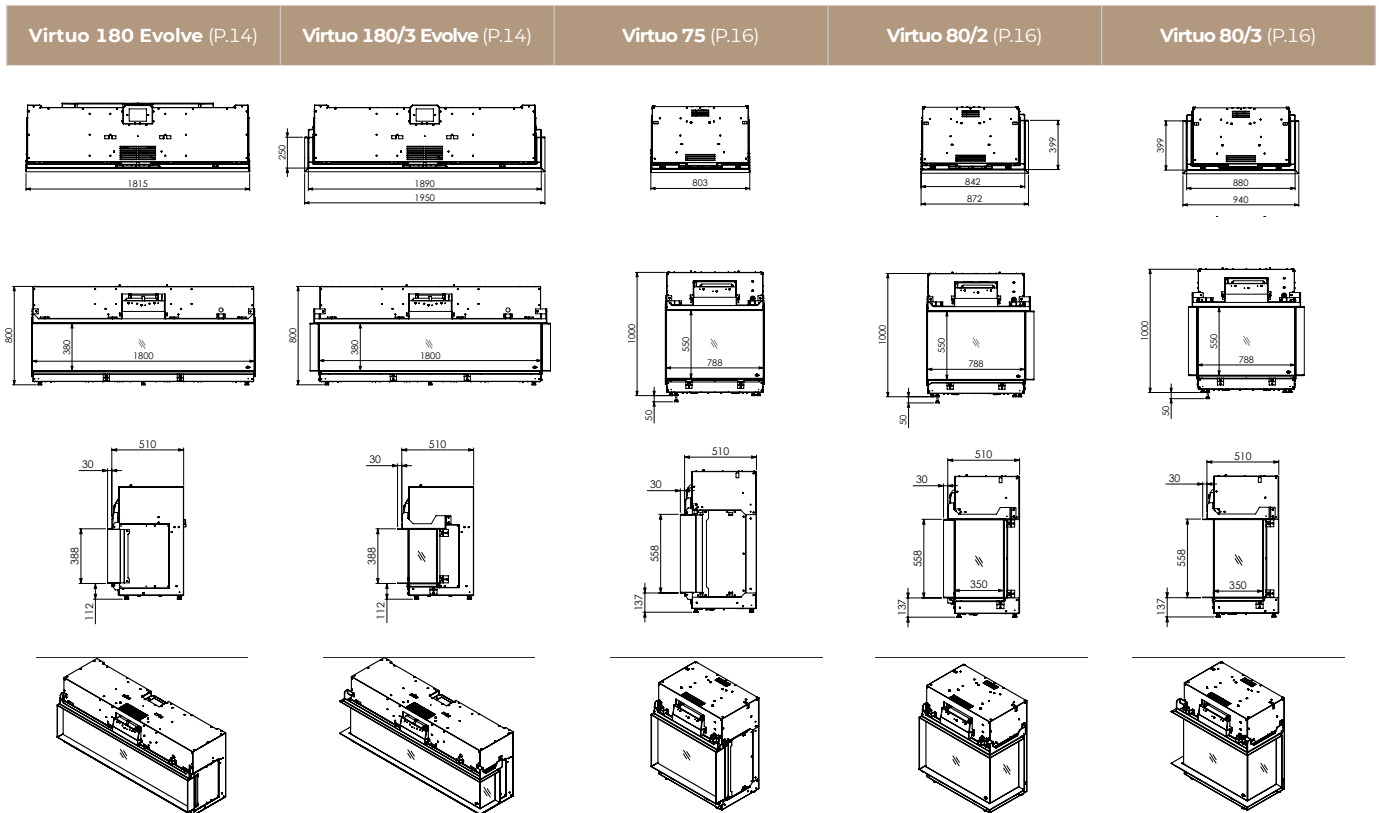
Virtuo										
Virtuo 75	16	Front	510	100	230	1000-2000	+	+	-	+
Virtuo 80/2	16	2-sided	510	100	230	1000-2000	+	+	-	+
Virtuo 80/3	16	3-sided	510	100	230	1000-2000	+	+	-	+

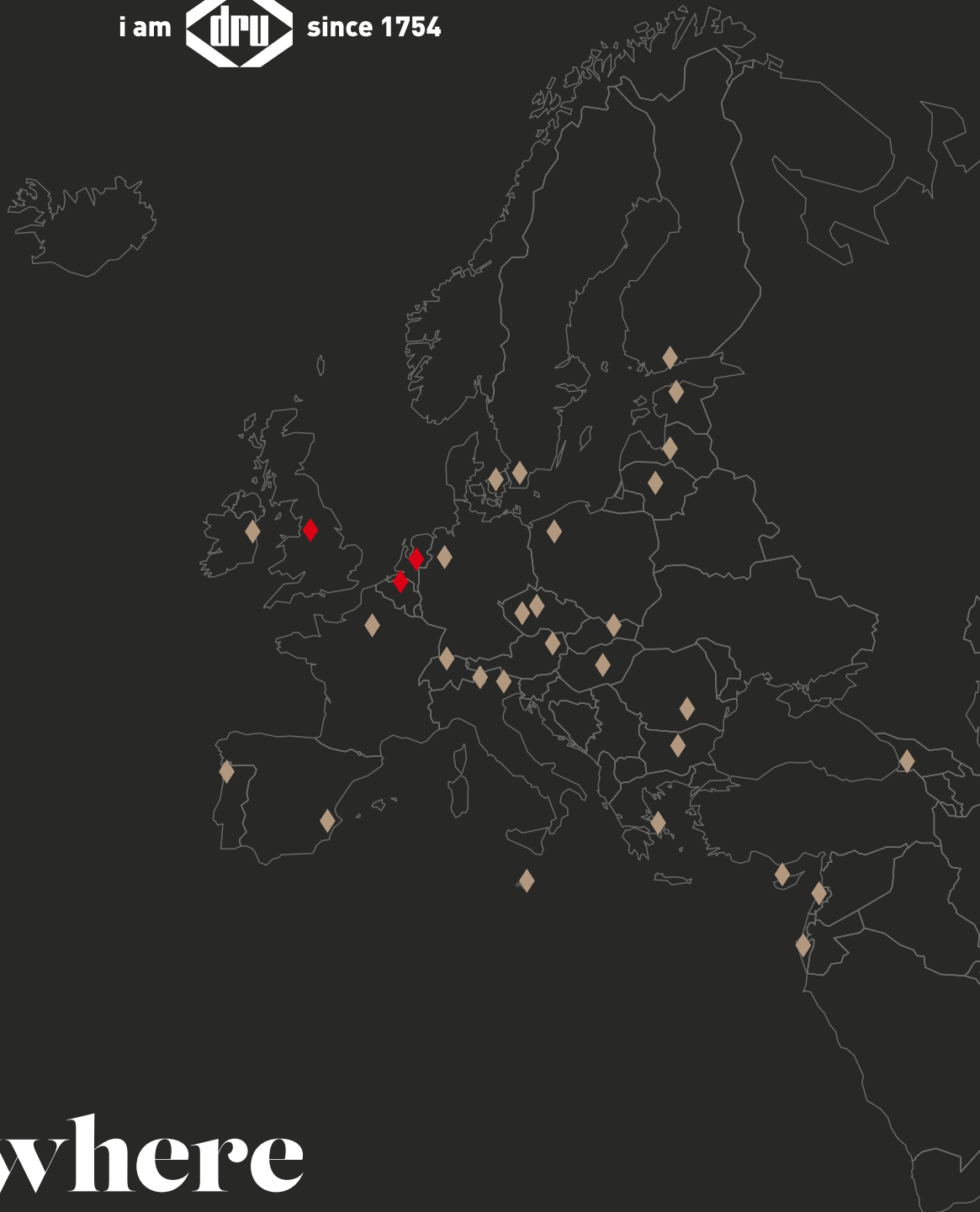
Line drawings



	App	Fire view b x h	Flame image 	Glow bed	Interior	Sound 	Choice of flame pattern	Frameless installation
		mm		led	decorative glass black	rib cast		
Virtuo Evolve								
Virtuo 100 Evolve	+	1000x380	Evolve-Flame technology	Eco Glow	-	+	+	+
Virtuo 100/3 Evolve	+	1000x380	Evolve-Flame technology	Eco Glow	-	+	+	+
Virtuo 130 Evolve	+	1300x380	Evolve-Flame technology	Eco Glow	-	+	+	+
Virtuo 130/3 Evolve	+	1300x380	Evolve-Flame technology	Eco Glow	-	+	+	+
Virtuo 180 Evolve	+	1800x380	Evolve-Flame technology	Eco Glow	-	+	+	+
Virtuo 180/3 Evolve	+	1800x380	Evolve-Flame technology	Eco Glow	-	+	+	+

Virtuo								
Virtuo 75	+	788x550	Virtuo-Flame technology	Eco Glow	+	-	+	+
Virtuo 80/2	+	788x550 (D=350)	Virtuo-Flame technology	Eco Glow	+	-	+	+
Virtuo 80/3	+	788x550 (D=350)	Virtuo-Flame technology	Eco Glow	+	-	+	+





i am everywhere

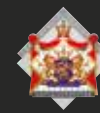
DRU Verwarming B.V.
P.O. Box 1021 | 6920 BA Duiven
Ratio 8 | 6921 RW Duiven
The Netherlands
T. +31 (0)26 - 319 5 319
www.dru.nl

Drugasar Ltd.
Deans Road | Swinton
Manchester | M27 0JH
United Kingdom
T. +44 (0)161 - 793 8700
www.drufire.co.uk

DRU Belgium
Kontichsesteenweg 69/1
2630 Aartselaar
Belgium
T. +32 (0)3 - 450 7000
www.drufire.be



www.drufire.com



BY APPOINTMENT OF
THE COURT OF THE NETHERLANDS



Art.993514 | 2024-03

DRU: Member of the Spartherm-Group
Subject to changes. The colours, appearance and flame pictures in this brochure may differ from reality.
Nothing in this publication may be used without prior written consent from DRU Verwarming B.V.

SOCIAL MEDIA :
For further inspiration and information, please see one of our social media channels or scan the QR code

