

 GAZCO

RIVA2

G A S F I R E S



Everyone is Different

This is why we created such a wide and diverse range of Riva2 gas fires, with so many possibilities. Whether you prefer contemporary or traditional styles, small or large fires, or live in a home with or without a chimney, you can personalise your Riva2 fire to suit your tastes and requirements.



Riva2 500 Icon XS with EchoFlame Black Glass lining.
Cover image: Riva2 600 Designio2 Steel with EchoFlame Black Glass Lining





Contents

Riva2 Fires.....	06
Size Options	07
Frames & Surrounds	08
Lining Options.....	11
Riva2 400	12
Riva2 500	16
Riva2 500HL Slimline	22
Riva2 600.....	26
Riva2 600HL.....	32
Riva2 750HL.....	36
Riva2 Stone Mantels.....	40
Onyx Gas Fires	44
Electric Fires	46
Flue Options	48
Summary of Options.....	50
Technical Information	52

Relax - it's a Gazco Fire...

When you choose Gazco, quality and innovative technology are assured. From traditional models to contemporary designs, Gazco is committed to creating the ultimate flame-effect gas and electric fires.

Our research and development laboratories are amongst the most advanced in the world, ensuring that the very latest innovations are incorporated into our appliances.

Gazco is an ISO9001 and ISO14001 accredited company. Our rigorous quality control system ensures that all our appliances are safety checked and that they comply with the appropriate regulations, with all fires in this brochure bearing both the UKCA and CE mark. Similarly, our environmental management systems ensure we work in a sustainable manner, whilst endeavouring to protect the environment by minimising any possible impact from our operations.



Warranty

Your Gazco Expert Retailer will provide you with a Two Year Warranty for your new gas fire. This can be extended to a Five Year Warranty by registering your fire with Gazco. Please note, these warranties exclude certain consumable parts. Fires purchased outside of Gazco's Expert Retailer Network will carry a standard 1 Year non-extendable Warranty, or minimum statutory warranty for your country. Full warranty terms and conditions are available to view at www.gazco.com.



We are proud to have been recognised as an award-winning manufacturer, for our high-quality products and innovative technology. Find out more at gazco.com/awards

Expert Retailer Network

We take great care to ensure that our fires are designed, tested and manufactured to the highest possible quality and safety standards.

We are equally careful to make certain they are sold and installed correctly so you can enjoy years of pleasure from your fire. Our products are only available from experienced, independent retailers who will be happy to show you a selection of models locally in their showrooms, often fully operational. These independent retailers will discuss your individual requirements both technical (such as sizing the heat output to your room and advising on your flue type) and design, and ensure that you select the most appropriate product for your home.

Our experienced retailers will also be able to advise on, or assist with, the installation process as well as help provide any after-sales support and servicing your appliance may require in the future.

Whilst we encourage our retailers to promote fireplace products and their outlets via the internet, we do not believe suitable levels of customer care and satisfaction can be obtained from purchasing the product only online and we would strongly recommend that you consider this when undertaking your research and making a purchasing decision. Furthermore, please be aware that we do not offer technical support (beyond our statutory responsibilities) to products bought via nationwide online sales, where this support would normally be offered by one of our qualified, independent retailers.

Find Your Retailer

Find your nearest retailer by visiting: www.gazco.com/retailers





Riva2 Fires

Whichever model you decide upon, you can rest assured each fire has been designed in our world-class UK laboratories. Our state-of-the-art technology ensures all Riva2 fires provide high efficiency heating and superb, natural flames at the touch of a button.



Riva2 600 Designio2 Steel with Ledgestone-effect lining.

Size Options



400

The most compact fire in the Riva2 range, the conventional flue 400 is perfect for standard sized homes with 16" fireplaces and provides 3.8kW of heat at up to 81% efficiency.

Size (wxh):
400 x 388mm*



500

Superbly versatile, the Riva2 500 is designed to suit a variety of interiors. This mid-sized fire is available in conventional or balanced flue options and provides up to 4.9kW of high efficiency heat.

Size (wxh):
550 x 388mm*



500HL Slimline

Designed to be installed in homes without a chimney, the slim depth of the balanced flue Riva2 500HL Slimline allows some of the fire's depth to be housed in a cavity wall. The remaining 75mm depth can be housed in a shallow stud-work faux chimney breast.

Size (wxh):
549 x 521mm*



600

The Riva2 600 offers magnificent flame visuals and a versatile, landscape form-factor. Bringing impeccable styling to any interior, this fire is suitable for a variety of homes. Opt for a minimalist Edge fire or choose one of the stylish glass or steel frame options for added presence.

Size (wxh):
594 x 370mm*



600HL

The highly adaptable conventional flue 600HL works equally well in both modern or traditional interiors, thanks to its versatile proportions, which suit standard 22" chimney openings. Whether styled as a contemporary fire or as a magnificent fireplace when coupled with one of Gazco's period stone mantels, you can customise the 600HL to suit your home.

Size (wxh):
600 x 600mm*



750HL

One of the most impressive fires in the Riva2 family, the 750HL provides up to 7kW of high efficiency heat, making it ideal for heating larger spaces. Designed to fit into a standard 36" chimney opening, the Riva2 750HL allows you to make the most of your existing fireplace, with a balanced flue version for homes without a chimney.

Size (wxh):
797 x 713mm*

* Sizes given are those visible upon installation when installed as a frameless Edge fire.

Complete Control

The Riva2 range features a powerful Programmable Thermostatic remote control, which lets you ignite your fire and adjust the flames from the comfort of your armchair. Riva2 fires can also be pre-set to maintain selected temperatures as well as scheduled to turn on at certain times.



Non-reflective Glass

Many fires in the Riva2 range feature crystal-clear, non-reflective glass, providing stunning visuals free from unwanted reflections.

Frame & Surround Options

There are a wealth of frame choices available to perfectly complement most Riva2 fires, outlined on these pages and shown in detail throughout the brochure. Each one of these frames offers a unique styling possibility and is crafted from the very finest materials.

Whether your tastes lie with the contemporary or the traditional, you can find a Riva2 frame to suit your interior. Options include a stunning frameless 'hole in the wall' look, sleek glass and steel finishes, and a wealth of hand-crafted stone mantels; ensuring whatever your style preference, there is a Riva2 fire for you.



Riva2 600 Designio2 Glass with EchoFlame Black Glass lining.

Edge (Frameless)



Icon XS



Black Glass

Designio2 Glass



Black Glass

Designio2 Steel



Graphite

Verve XS



Graphite

Evoke XS



Black Glass front and Graphite rear

Evoke Steel



Graphite

Ellingham



Matt Black Cast Iron

	Riva2 400	Riva2 500	Riva2 500HL Slimline	Riva2 600	Riva2 600HL	Riva2 750HL
Edge	✓	✓	✓	✓	X	X
Icon XS	✓	✓	X	✓	X	X
Ellingham	X	✓	X	X	X	X
Verve XS	X	✓	X	✓	X	X
Evoke Steel	X	✓	X	X	X	X
Evoke XS	✓	X	X	X	X	X
Designio2 Steel	X	X	X	✓	X	X
Designio2 Glass	X	X	X	✓	X	X
Stone Mantels	X	✓*	✓*	✓*	✓*	✓*

Stone Mantels - see page 40



Selected Riva2 400, 500, 500HL Slimline, 600, 600HL & 750HL are versatile fires that can be installed into both contemporary and more traditional interiors. Gazco's collection of six high quality stone mantels and hearths, with additional slip sets, will complement these fires to ensure a grand finish and a timeless fireplace for your home.

*Requires additional slip sets or back panels. The Riva2 600HL and 750HL slip sets are available from Gazco. Bespoke sourcing will be required for other fires.

Riva2 750HL Edge with Brick-effect lining in Claremont Limestone mantel with slip sets



Lining Options

Riva2 fires can be styled with a variety of lining options, which each transform the fire's look. Choose from modern or traditional backdrops for your fire's flames, with different linings depending on the model.



	Echoflame Black Glass	Black Reeded*	Ledgestone-effect*	Brick-effect*
Riva2 400	✓	✓	x	x
Riva2 500	✓	✓	✓	✓
Riva2 500HL Slimline	✓	✓	x	x
Riva2 600	✓	x	✓	✓
Riva2 600HL	✓	x	✓	✓
Riva2 750HL	✓	✓	✓	✓

*Available with Natural Gas versions. For models with an LPG variant, lining sets can be purchased separately.

EchoFlame Black Glass Lining

All fires in the Riva2 range can be selected with Gazco's inspiring EchoFlame Black Glass lining, which immediately enhances the depth and magic of the fire. Creating a dramatic, three-sided reflection of the dancing flames, this stylish lining creates a visual centrepiece that leaves a lasting impression.

ECHOFLAME™
BLACK GLASS LINING





*Riva2 400 Edge with
Black Glass lining*

Riva2 400



Riva2 400 Icon XS with EchoFlame Black Glass lining

	Efficiency & Heat Output			Chimney or Flue Options			Gas Type		Fuel Bed	Linings				Control
	EFFICIENCY	EFFICIENCY CLASS	HEAT OUTPUT	BRICK CHIMNEY	PRE-FABRICATED	BALANCED FLUE	NATURAL GAS	LPG GAS	LOGS	BLACK GLASS	BLACK REEDED*	LEDGESTONE EFFECT*	BRICK EFFECT*	PROGRAMMABLE THERMOSTATIC REMOTE
Riva2 400 Conventional Flue	81%	C	3.80kW	✓	✓	✗	✓	✓	✓	✓	✓	✗	✗	✓

Frame Options
 For the complete selection of frames available with Riva2 fires see pages 8 - 9.

† Efficiency and heat output figures are based upon the maximum achieved in the options available. For more detailed technical information, including firebox dimensions and installation requirements, see page 52.

* For LPG models, lining set can be purchased separately.

See additional image on page 52

Riva2 400



Riva2 400 Edge with EchoFlame Black Glass lining

	Efficiency & Heat Output			Chimney or Flue Options			Gas Type		Fuel Bed	Linings				Control
	E% [†]	EFFICIENCY CLASS	kW HEAT OUTPUT	BRICK CHIMNEY	PRE-FABRICATED	BALANCED FLUE	NATURAL GAS	LPG GAS	LOGS	BLACK GLASS	BLACK REEDED*	LEDGESTONE EFFECT*	BRICK EFFECT*	PROGRAMMABLE THERMOSTATIC REMOTE
Riva2 400 Conventional Flue	81%	C	3.80kW	✓	✓	X	✓	✓	✓	✓	✓	X	X	✓

Frame Options
 For the complete selection of frames available with Riva2 fires see pages 8 - 9.

[†] Efficiency and heat output figures are based upon the maximum achieved in the options available. For more detailed technical information, including firebox dimensions and installation requirements, see page 52.

* For LPG models, lining set can be purchased separately.



*Riva2 400 Evoke XS with Black Glass front
and Black Reeded lining*

Riva2 500



Riva2 500 Evoke Steel with with EchoFlame Black Glass lining



Riva2 500 Edge with Black Reeded lining

		Efficiency & Heat Output			Chimney or Flue Options			Gas Type		Fuel Bed	Linings				Control
		E% [†]	EFFICIENCY CLASS	kW	BRICK CHIMNEY	PRE-FABRICATED	BALANCED FLUE	NATURAL GAS	LPG GAS	LOGS	BLACK GLASS	BLACK REEDED*	LEDGESTONE EFFECT*	BRICK EFFECT*	PROGRAMMABLE THERMOSTATIC REMOTE
Riva2 500 Conventional Flue		76%	D	4.50kW	✓	✓	✗	✓	✓	✓	✓	✓	✓	✓	✓
Riva2 500 Balanced Flue		93.9%	A	4.90kW	✗	✗	✓	✓	✓	✓	✓	✓	✓	✓	✓

[†] Efficiency and heat output figures are based upon the maximum achieved in the options available. For more detailed technical information, including firebox dimensions and installation requirements, see page 53.

* For LPG models, lining set can be purchased separately.

Frame Options

For the complete selection of frames available with Riva2 fires see pages 8 - 9.

See additional images on pages 3, 49 & 53.



Riva2 500 Verve XS with Ledge-stone-effect lining. Shown with ceramic wood-effect beam



Riva2 500 Ellingham with Brick-effect lining

Riva2 500



Riva2 500 Edge with EchoFlame Black Glass lining

		Efficiency & Heat Output			Chimney or Flue Options			Gas Type		Fuel Bed	Linings				Control
		E% [†]	EFFICIENCY CLASS	kW	BRICK CHIMNEY	PRE-FABRICATED	BALANCED FLUE	NATURAL GAS	LPG GAS	LOGS	BLACK GLASS	BLACK REEDED*	LEDGESTONE EFFECT*	BRICK EFFECT*	PROGRAMMABLE THERMOSTATIC REMOTE
Riva2 500 Conventional Flue		76%	D	4.50kW	✓	✓	✗	✓	✓	✓	✓	✓	✓	✓	✓
Riva2 500 Balanced Flue		93.9%	A	4.90kW	✗	✗	✓	✓	✓	✓	✓	✓	✓	✓	✓

Frame Options

For the complete selection of frames available with Riva2 fires see pages 8 - 9.

See additional images on pages 3, 49 & 53.

[†] Efficiency and heat output figures are based upon the maximum achieved in the options available. For more detailed technical information, including firebox dimensions and installation requirements, see page 53.

* For LPG models, lining set can be purchased separately.

Riva2 500



Riva2 500 Evoke Steel with Brick-effect lining

		Efficiency & Heat Output			Chimney or Flue Options			Gas Type		Fuel Bed	Linings				Control
		E% [†]	EFFICIENCY CLASS	kW	BRICK CHIMNEY	PRE-FABRICATED	BALANCED FLUE	NATURAL GAS	LPG GAS	LOGS	BLACK GLASS	BLACK REEDED*	LEDGESTONE EFFECT*	BRICK EFFECT*	PROGRAMMABLE THERMOSTATIC REMOTE
Riva2 500 Conventional Flue		76%	D	4.50kW	✓	✓	✗	✓	✓	✓	✓	✓	✓	✓	
Riva2 500 Balanced Flue		93.9%	A	4.90kW	✗	✗	✓	✓	✓	✓	✓	✓	✓	✓	

See additional images on pages 3, 49 & 53.

Frame Options
For the complete selection of frames available with Riva2 fires see pages 8 - 9.

[†] Efficiency and heat output figures are based upon the maximum achieved in the options available. For more detailed technical information, including firebox dimensions and installation requirements, see page 53.

* For LPG models, lining set can be purchased separately.



Riva2 500HL Slimline
















The Riva2 500HL Slimline offers you the superb flames of the Riva2 range with a versatile slim profile which allows it to be installed into a cavity wall. Suitable for a huge range of interiors, the 500HL's shallow depth means that it can be conveniently fitted into an exterior wall with the internal leaf removed, ensuring a slim footprint and minimising building work. Once recessed into a cavity wall, this Slimline fire protrudes just 75mm into the room.



Riva2 500HL Slimline Edge with EchoFlame Black Glass lining

Riva2 500HL Slimline Edge with Black Reeded lining. Shown with bespoke sourced stone frame.



	Efficiency & Heat Output			Chimney or Flue Options			Gas Type		Fuel Bed	Linings				Control
	 E% [†]	 EFFICIENCY CLASS	 kW	 BRICK CHIMNEY	 PRE-FABRICATED	 BALANCED FLUE	 NATURAL GAS	 LPG GAS	 LOGS	 BLACK GLASS	 BLACK REEDED	 LEDGESTONE EFFECT	 BRICK EFFECT	 PROGRAMMABLE THERMOSTATIC REMOTE
Riva2 500HL Slimline Balanced Flue 	86%	B	4.60kW	X	X	✓	✓	X	✓	✓	✓	X	X	✓

† Efficiency and heat output figures are based upon the maximum achieved in the options available. For more detailed technical information, including firebox dimensions and installation requirements, see page 54.

See additional image on page 50

SLIMdepth
Once recessed into a cavity wall, this Slimline fire **protrudes just 75mm into the room.**

Riva2 500HL Slimline



	Efficiency & Heat Output			Chimney or Flue Options			Gas Type		Fuel Bed	Linings				Control
	E% [†]	EFFICIENCY CLASS	kW	BRICK CHIMNEY	PRE-FABRICATED	BALANCED FLUE	NATURAL GAS	LPG GAS	LOGS	BLACK GLASS	BLACK REEDED	LEDGESTONE EFFECT	BRICK EFFECT	PROGRAMMABLE THERMOSTATIC REMOTE
Riva2 500HL Slimline Balanced Flue	86%	B	4.60kW	X	X	✓	✓	X	✓	✓	✓	X	X	✓

See additional images on page 50

Mantel Options

For the complete collection of limestone mantels see pages 40 - 43.

[†] Efficiency and heat output figures are based upon the maximum achieved in the options available. For more detailed technical information, including firebox dimensions and installation requirements, see page 54.



Riva2 600



See it burning:
gazco.com/riva2600



Riva2 600 Icon XS with EchoFlame Black Glass lining

	Efficiency & Heat Output			Chimney or Flue Options			Gas Type		Fuel Bed	Linings				Control
	E% [†]	EFFICIENCY CLASS	kW HEAT OUTPUT	BRICK CHIMNEY	PRE-FABRICATED	BALANCED FLUE	NATURAL GAS	LPG GAS	LOGS	BLACK GLASS	BLACK REEDED	LEDGESTONE EFFECT*	BRICK EFFECT*	PROGRAMMABLE THERMOSTATIC REMOTE
Riva2 600 Conventional Flue	80.5%	C	5.00kW	✓	✓	✗	✓	✓	✓	✓	✗	✓	✓	✓
Riva2 600 Balanced Flue	92%	A	5.70kW	✗	✗	✓	✓	✓	✓	✓	✗	✓	✓	✓

Frame Options

For the complete selection of frames available with Riva2 fires see pages 8 - 9.

See additional images on pages 6, 8, 55 & 59

[†] Efficiency and heat output figures are based upon the maximum achieved in the options available. For more detailed technical information, including firebox dimensions and installation requirements, see page 55.

* For LPG models, lining set can be purchased separately.





Riva2 600



See it burning:
gazco.com/riva2600



Riva2 600 Designio2 Steel with Brick-effect lining

	Efficiency & Heat Output	Chimney or Flue Options			Gas Type		Fuel Bed	Linings				Control		
	E% [†] EFFICIENCY	EFFICIENCY CLASS	kW HEAT OUTPUT	BRICK CHIMNEY	PRE-FABRICATED	BALANCED FLUE	NATURAL GAS	LPG GAS	LOGS	BLACK GLASS	BLACK REEDED	LEDGESTONE EFFECT*	BRICK EFFECT*	PROGRAMMABLE THERMOSTATIC REMOTE
Riva2 600 Conventional Flue	80.5%	C	5.00kW	✓	✓	✗	✓	✓	✓	✓	✗	✓	✓	✓
Riva2 600 Balanced Flue	92%	A	5.70kW	✗	✗	✓	✓	✓	✓	✓	✗	✓	✓	✓

Frame Options

For the complete selection of frames available with Riva2 fires see pages 8 - 9.

See additional images on pages 6, 8, 55 & 59

[†] Efficiency and heat output figures are based upon the maximum achieved in the options available. For more detailed technical information, including firebox dimensions and installation requirements, see page 55.
 * For LPG models, lining set can be purchased separately.

Riva2 600



See it burning:
gazco.com/riva2600



Riva2 600 Verve XS with LedgeStone-effect lining

	Efficiency & Heat Output	Chimney or Flue Options	Gas Type	Fuel Bed	Linings	Control								
	E% [†] EFFICIENCY	EFFICIENCY CLASS	HEAT OUTPUT	BRICK CHIMNEY	PRE-FABRICATED	BALANCED FLUE	NATURAL GAS	LPG	LOGS	BLACK GLASS	BLACK REEDED	LEDGESTONE EFFECT*	BRICK EFFECT*	PROGRAMMABLE THERMOSTATIC REMOTE
Riva2 600 Conventional Flue	80.5%	C	5.00kW	✓	✓	✗	✓	✓	✓	✓	✗	✓	✓	✓
Riva2 600 Balanced Flue	92%	A	5.70kW	✗	✗	✓	✓	✓	✓	✓	✗	✓	✓	✓

See additional images on pages 6, 8, 55 & 59

Frame Options
 For the complete selection of frames available with Riva2 fires see pages 8 - 9.

† Efficiency and heat output figures are based upon the maximum achieved in the options available. For more detailed technical information, including firebox dimensions and installation requirements, see page 55.

* For LPG models, lining set can be purchased separately.





Riva2 600HL Edge with Ledgstone-effect lining. Shown with Claremont Limestone mantel and matching slip set.

Riva2 600HL



Riva2 600HL Edge with EchoFlame Black Glass lining

	Efficiency & Heat Output	Chimney or Flue Options			Gas Type		Fuel Bed	Linings				Control		
	E% [†] EFFICIENCY	Efficiency Class CLASS	kW HEAT OUTPUT	Brick Chimney	Pre-fabricated	Balanced Flue	Natural Gas	LPG Gas	Logs	Black Glass	Black Reeded	Ledgestone Effect*	Brick Effect*	Programmable Thermostatic Remote
Riva2 600HL Conventional Flue	76%	D	5.30kW	✓	✓	✗	✓	✓	✓	✓	✗	✓	✓	✓

See additional images on pages 5, 40 & 42.

Mantel Options

For the complete collection of limestone mantels see pages 40 - 43.

† Efficiency and heat output figures are based upon the maximum achieved in the options available. For more detailed technical information, including firebox dimensions and installation requirements, see page 54.

* For LPG models, lining set can be purchased separately.

Riva2 600HL



Riva2 600HL Edge with Brick-effect lining.

	Efficiency & Heat Output	Chimney or Flue Options			Gas Type		Fuel Bed	Linings				Control		
	EFFICIENCY [†]	EFFICIENCY CLASS	HEAT OUTPUT	BRICK CHIMNEY	PRE-FABRICATED	BALANCED FLUE	NATURAL GAS	LPG GAS	LOGS	BLACK GLASS	BLACK REEDED	LEDGESTONE EFFECT*	BRICK EFFECT*	PROGRAMMABLE THERMOSTATIC REMOTE
Riva2 600HL Conventional Flue	76%	D	5.30kW	✓	✓	✗	✓	✓	✓	✓	✗	✓	✓	✓

See additional images on pages 5, 40 & 42.

Mantel Options

For the complete collection of limestone mantels see pages 40 - 43.

[†] Efficiency and heat output figures are based upon the maximum achieved in the options available. For more detailed technical information, including firebox dimensions and installation requirements, see page 54.

* For LPG models, lining set can be purchased separately.



*Riva2 600HL Edge with EchoFlame Black Glass lining,
Shown with Claremont Limestone mantel and matching slip set.*

Riva2 750HL



Riva2 750HL Edge with EchoFlame Black Glass lining



	Efficiency & Heat Output			Chimney or Flue Options			Gas Type		Fuel Bed	Linings				Control
	E% [†]	EFFICIENCY CLASS	kW	BRICK CHIMNEY	PRE-FABRICATED	BALANCED FLUE	NATURAL GAS	LPG GAS	LOGS	BLACK GLASS	BLACK REEDED	LEDGESTONE EFFECT	BRICK EFFECT	PROGRAMMABLE THERMOSTATIC REMOTE
Riva2 750HL Conventional Flue	81%	C	6.90kW	✓	✓	X	✓	X	✓	✓	✓	✓	✓	✓
Riva2 750HL Balanced Flue	92%	A	7.00kW	X	X	✓	✓	X	✓	✓	✓	✓	✓	✓

See additional images on page 10, 41, & 43.

Mantel Options

For the complete collection of limestone mantels see pages 40 - 43.

[†] Efficiency and heat output figures are based upon the maximum achieved in the options available. For more detailed technical information, including firebox dimensions and installation requirements, see page 56.



Riva2 750HL Edge with
EchoFlame Black Glass lining



RIVA2 | 750HL

Riva2 750HL



Riva2 750HL Edge with Ledgestone-effect lining. Shown with Victorian Corbel Limestone Mantel and matching slip-set



Riva2 750HL Edge with Black Reeded lining

	Efficiency & Heat Output			Chimney or Flue Options			Gas Type		Fuel Bed	Linings				Control
	E% [†]	EFFICIENCY CLASS	kW	BRICK CHIMNEY	PRE-FABRICATED	BALANCED FLUE	NATURAL GAS	LPG GAS	LOGS	BLACK GLASS	BLACK REEDED	LEDGESTONE EFFECT	BRICK EFFECT	PROGRAMMABLE THERMOSTATIC REMOTE
Riva2 750HL Conventional Flue	81%	C	6.90kW	✓	✓	✗	✓	✗	✓	✓	✓	✓	✓	✓
Riva2 750HL Balanced Flue	92%	A	7.00kW	✗	✗	✓	✓	✗	✓	✓	✓	✓	✓	✓

† Efficiency and heat output figures are based upon the maximum achieved in the options available. For more detailed technical information, including firebox dimensions and installation requirements, see page 56.

Mantel Options

For the complete collection of limestone mantels see pages 40 - 43.

Limestone Mantel Collection



Riva2 600HL Edge with Brick-effect lining and Sandringham Limestone Mantel with matching slip set

Traditional Style with a Modern Slant...

Gazco's collection of high quality Limestone mantels and optional hearths offer a unique touch, thanks to the naturally occurring veining, subtle tonal variations, and even occasional small fossils found in the limestone. Each mantel serves as a beautiful and natural complement to many of the high-efficiency fires featured in this brochure, making them the perfect choice for creating a grand and timeless fireplace in your home.



For more information on Gazco's stone mantels and hearths, please see page 43.

Mantel Styles	Claremont	Cavendish Bolection	Georgian Roundel	Grafton	Sandringham	Victorian Corbel
Dimensions Δ w x h (mm)	1555 x 1143	1460 x 1320	1460 x 1082	1415 x 1165	1550 x 1220	1525 x 1170



Riva2 750 Edge with Ledge-stone-effect lining and Limestone Grafton Mantel with slip sets

*Riva2 600HL & 750HL slip sets are available from Gazco.

Bespoke sourcing will be required for Riva2 400, 500, 600, 530 & 500HL Slimline slip sets or back panels for any other fires.

Δ Overall visible dimensions upon installation. For more detailed information, including firebox dimensions, please see page 52 onwards.



Victorian Corbel



Claremont



Sandringham



Cavendish Bolection



Georgian Roundel



Grafton

(All the above images are shown with a Riva2 750HL fire and slip sets)



*Riva2 600HL with EchoFlame Black Glass lining and Victorian Corbel
Limestone Mantel with slip sets and large hearth*

Limestone Mantel Collection



Riva2 500HL Slimline Edge with Black Glass lining and Sandringham Limestone Mantel



Riva2 750HL with Black Reeded lining and Cavendish Bolection Limestone Mantel and slip sets



Riva2 600HL Edge with Echoflame Black Glass lining and Claremont Limestone Mantel with large hearth and slip sets

Mantel Styles	Claremont	Cavendish Bolection	Georgian Roundel	Grafton	Sandringham	Victorian Corbel
Dimensions Δ w x h (mm)	1555 x 1143	1460 x 1320	1460 x 1082	1415 x 1165	1550 x 1220	1525 x 1170
Product Code	9002CLTL	9000CATL	9001GETL	9003GRTL	9005SATL	9004VITL

Δ Overall visible dimensions upon installation. For more detailed information, including firebox dimensions, please see page 52 onwards.

HEARTH INFORMATION

934-193 Small Hearth for Stone Mantel (1524 x 53 x 228 - w x h x d)

934-351 Large Hearth for Stone Mantel (1625 x 53 x 457 - w x h x d)

RIVA2 SLIP SETS INFORMATION

934-783 Slip set for Riva2 600HL Stone Mantel

934-121 Slip set for Riva2 750HL Stone Mantel

STONE HEARTH

Gazco's selection of beautiful Limestone hearths include either small or large sizes. The large size is styled with a stepped edge design whilst the small has a flush finish.



Small Hearth



Large Hearth



Luxury Gas Fires

At the Stovax Heating Group, alongside our Gazco collection we also offer a premium stoves and fires brand – Onyx. Explore two beautiful gas fires from Onyx, designed to offer unparalleled style, performance, and visual impact.

Eclipse 60HL Gas Fire

The Eclipse 60HL redefines gas fire innovation with state-of-the-art flame visuals and an ultra-realistic Split Oak log-effect. ImmersiFlame triple burner technology creates captivating flames that wrap around hand-painted logs, delivering a lifelike experience that mirrors a real woodburning fire. The elegant EchoFlame™ Black Glass Lining enhances the flame depth, while non-reflective glass ensures a crystal-clear view. The Eclipse can be hearth mounted, providing versatile installation options for both contemporary and traditional interiors – including within a mantel. Complete with a fully integrated thermostatic remote control, the Eclipse offers effortless management of heat and flame settings.



*Onyx Eclipse 60HL Gas
with Edge+ frame*



See it burning
at onyxfires.com/eclipse



*Onyx Eclipse 60HL Gas with Edge+ frame.
Shown with Claremont Limestone mantel.*



Onyx Avanti 65 Gas with Expression frame

Avanti Gas Fires

Designed for modern living, the Onyx Avanti range combines sleek design with powerful flame visuals to create a stunning centrepiece. Available in two sizes, the Avanti 65 and 85, these fires feature an advanced burner system, creating a glowing ember bed and wrap-around rolling flames – all augmented by a strikingly realistic Split Oak log-effect for a woodburning appearance. Our signature EchoFlame™ Black Glass Lining enhances the flame visuals, while premium non-reflective glass ensures your fire is the focus of the room. Choose between the bold Expression frame or the minimalist Edge+ for the perfect finishing touch. A frameless Edge installation is also possible, but no matter your styling choice, the Avanti gas bring style and performance in equal measure.

Further information about these exciting ranges can found in separate, dedicated brochures, which can be requested from your local retailer or viewed online at www.onyxfires.com

Have you considered electric?



*eReflex 55RW with Oak Log-effect,
shown with Claremont Limestone Mantel*



eStudio 135R. Shown with optional Mood Lighting Kit.

In addition to the wide selection of gas fires shown in this brochure, the Stovax Heating Group is pleased to offer a vast portfolio of electric models with superb flame visuals and breath-taking realism that can be controlled from the comfort of your favourite chair.

Offered in a wealth of styling options, these fires feature the very latest technology with realistic flames for a versatile and stunning focal point in any home – all without the need for a chimney!

From our luxury Onyx Avanti electric fire collection, to the versatility of the Gazco eStudio or eReflex ranges, each model can be enjoyed with or without the heat for year-round ambience.

Available in frameless inset options, options to suit matching classic stone mantels, or multi-sided versions, there is a design to suit every home.



For more information, visit gazco.com/electric, or speak to your local retailer.



onyx

Onyx Avanti 190RW with Split Oak Log-effect, installed as a three-sided fire. Shown with optional Mood Lighting System.

Your Home and Flue Requirements...

Conventional Flue

Conventional flue systems are easily recognisable as either a conventional brick or stone chimney, or as a pre-fabricated chimney system. Should your home have neither at present, it is usually possible to have a pre-fabricated system installed in your home if required.



Brick/Stone Chimney
(Class 1)

The chimney stack rises well above the roofline and is topped by a traditional chimney pot or gas terminal. This type of chimney relies on the natural circulation of heated air to expel the products of combustion up your chimney.



Pre-fabricated Flues
(Class 1 & 2)

You will see a metal flue cowl on your roof. Some are all metal whilst others may terminate through a short rectangular pot (but without a chimney stack). These flues create the same circulation of heated air as a brick or stone chimney.

Balanced Flue

Balanced flues work in conjunction with Gazco's Glass Fronted gas fires. The appliance is completely sealed from the room into which it is installed (so there are no draughts and heating efficiency is increased) and a twin-wall pipe vents directly to an outside wall.



Balanced Flue
(No chimney required)

Air for combustion is drawn in through the outer pipe whilst the inner pipe removes the combustion gases to the exterior of the property. Depending on the fire selected, the twin-walled pipe may exit horizontally through an external wall or vertically through the roof. Gazco offers a comprehensive range of balanced flue system components. Please refer to our dedicated Concentric Flue System brochure which can be requested from your retailer or viewed online at www.gazco.com.

No Air Vent Required (UK)

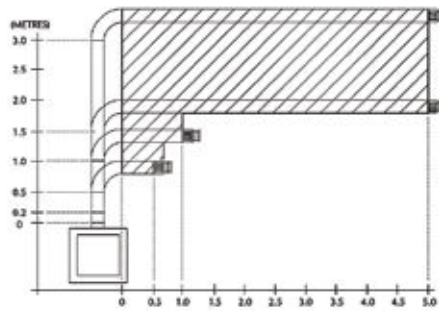
All fires shown with this symbol have the advantage of not normally requiring an air vent*. Please discuss this in full with your local retailer.

*Requirements in the Republic of Ireland are different.

Balanced Flue Options

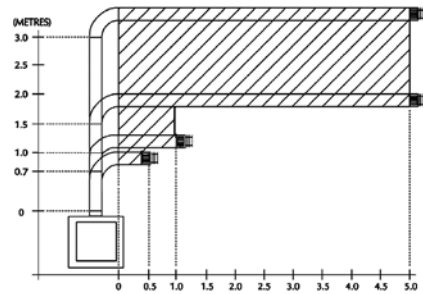
Gazco offers a comprehensive range of balanced flue system components. Please refer to our dedicated Concentric Flue System brochure which can be requested from your retailer or viewed online at www.gazco.com.

Vertical from the top of the appliance then horizontally out



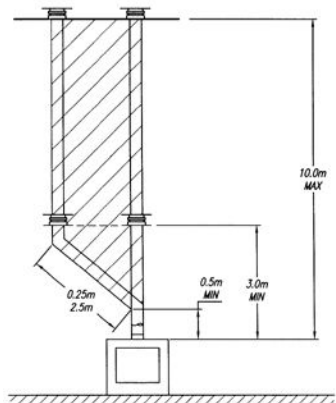
Riva2 500

Vertical from the top of the appliance then horizontally out



Riva2 750HL Nat Gas

Vertical from the top of the appliance



Riva2 Summary



Riva2 500HL Slimline Edge with EchoFlame Black Glass lining

						
	Riva2 400	Riva2 500	Riva2 500HL Slimline	Riva2 600	Riva2 600HL	Riva2 750HL
Fuel Bed:						
Realistic Logs	✓	✓	✓	✓	✓	✓
Choice of Linings:						
Brick-effect**	-	✓	-	✓	✓	✓
Black Reeded**	✓	✓	✓	-	-	✓
EchoFlame Black Glass	✓	✓	✓	✓	✓	✓
Ledgestone-effect**	-	✓	-	✓	✓	✓
Installation Type:						
Hearth Mounted Installation	✓	✓	✓	✓	✓	✓
Wall Installation	✓	✓	✓	✓	✓	✓
Key Features:						
Timer and Thermostat Programmable Remote	✓	✓	✓	✓	✓	✓
Glass Fronted High Efficiency	✓	✓	✓	✓	✓	✓
Natural Gas or LPG	✓	✓	Natural Gas only	✓	✓	Natural Gas only
Selection of Frames (see pages 8-9)	✓	✓	-	✓	-	-
Frameless 'Edge' Option	✓	✓	✓	✓	✓	✓
Non-reflective Glass	✓	-	✓	✓	✓	✓
Conventional Flue ODS safety device*	✓	✓	-	✓	✓	✓
Balanced Flue Firebox Relief Venting System ^Δ	-	✓	✓	-	-	✓
Additional air vent required	-	-	-	-	-	✓
Conventional Flue	✓	✓	-	✓	✓	✓
Balanced Flue	-	✓ [◊]	✓	✓	-	✓
Maximum Heat Output	3.80kW	4.90kW	4.60kW	5.70kW	4.60kW	7.00kW
Energy Efficiency Class #	C	A	B	A	D	A
Maximum Efficiency #	81%	93.9%	86%	92%	76%	92%

* ODS (Oxygen Depletion Sensor) - This Conventional Flue safety feature will shut off the gas supply to the burner in the event of a reduction to oxygen levels in the room. ^Δ All Gazco Balanced Flue fires have relief vents in the firebox ensuring compliance with EN 613:2001 for delayed ignition safety standards.

Efficiency figures given are based upon the maximum achieved in the options available for each model, for further technical information, please see page 52 onwards.

** For LPG models, lining set can be purchased separately.

Technical Information

Riva2 400

RIVA2 400 FIRE INFORMATION

Product Code	Flue Type	Gas Type	Heat Input	Heat Output	Energy Efficiency Class	Efficiency	Remote Control	Lining	Opening Size (mm)		
									w	h	d
134-050	Conventional	Nat Gas	5.20kW	3.80kW	C	81%	Prog. Thermostatic	Black Reeded	425	560	350
134-042	Conventional	Nat. Gas	5.20kW	3.80kW	C	81%	Prog. Thermostatic	Black Glass	425	560	350
134-416	Conventional	LPG	5.10kW	3.80kW	C	81%	Prog. Thermostatic	Black Glass	425	560	350

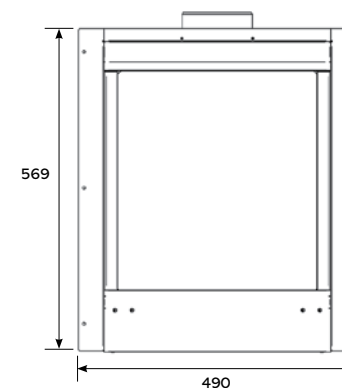
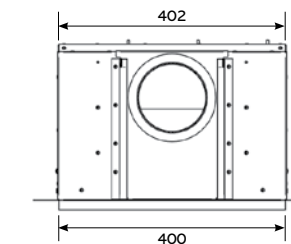
RIVA2 400 FRAME INFORMATION

Description	Frame Finish	Product Code	Frame Size (mm)		
			w	h	d
Invoke XS Glass	Black Glass front & Graphite rear	934-106	617	617	32
Icon XS	Black Glass	934-120	617	617	17



Riva2 400 Icon XS with Black Glass lining

RIVA2 400 DIMENSIONS (mm)

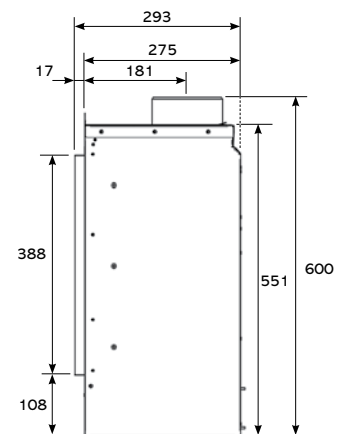


RIVA2 400 OPTIONS

For LPG Riva2 gas fires, the below lining sets can be purchased separately.

Product Code Description

934-153	Riva2 400 Black Reeded Lining Set
934-140	Riva2 400 Black Glass Lining Set
999-620	Remote System Mains Adaptor



The above information is to assist you in your choice of a suitable Gazco fire. This is not intended to be all the information required to install your fire. This can be obtained from your local Gazco retailer or you can download the full installation instructions from the Gazco website at www.gazco.com

Riva2 500

FIRE INFORMATION

Product Code	Flue Type	Gas Type	Heat Input	Heat Output	Energy Efficiency Class	Efficiency	Remote Control	Lining	Opening Size (mm)		
									w	h	d
⊗ 134-070	Conventional	Nat. Gas	6.4kW	4.4kW	D	76%	Prog. Thermostatic	Black Reeded	560	565	350
⊗ 134-147	Conventional	Nat. Gas	6.4kW	4.4kW	D	76%	Prog. Thermostatic	Brick-effect	560	565	350
⊗ 134-026	Conventional	Nat. Gas	6.4kW	4.4kW	D	76%	Prog. Thermostatic	Black Glass	560	565	350
⊗ 134-435	Conventional	LPG	6.4kW	4.5kW	D	76%	Prog. Thermostatic	Black Glass	560	565	350
⊗ 134-382	Conventional	Nat. Gas	6.4kW	4.4kW	D	76%	Prog. Thermostatic	Ledgestone-effect	560	565	350
⊗ 134-275	Balanced	Nat. Gas	5.8kW	4.9kW	A	93.9%	Prog. Thermostatic	Black Reeded	560	565	350
⊗ 134-321	Balanced	Nat. Gas	5.8kW	4.9kW	A	93.9%	Prog. Thermostatic	Brick-effect	560	565	350
⊗ 134-346	Balanced	Nat. Gas	5.8kW	4.9kW	A	93.9%	Prog. Thermostatic	Black Glass	560	565	350
⊗ 134-682	Balanced	LPG	5.7kW	4.9kW	A	93.9%	Prog. Thermostatic	Black Glass	560	565	350
⊗ 134-333	Balanced	Nat. Gas	5.8kW	4.9kW	A	93.9%	Prog. Thermostatic	Ledgestone-effect	560	565	350

FRAME INFORMATION

Description	Frame Finish	Product Code	Frame Size (mm)		
			w	h	d
Icon XS	Black Glass	934-388	855	694	17
Verve XS	Graphite	934-033	890	621	57
Ellingham	Matt Black Cast Iron	934-470	885	678	75
Evoked Glass	Black Glass front/ Graphite rear	934-366	869	710	40
Evoked Glass	White Glass front/ Graphite rear	934-397	869	710	40
Evoked Steel	Graphite front and rear	934-330	869	710	40

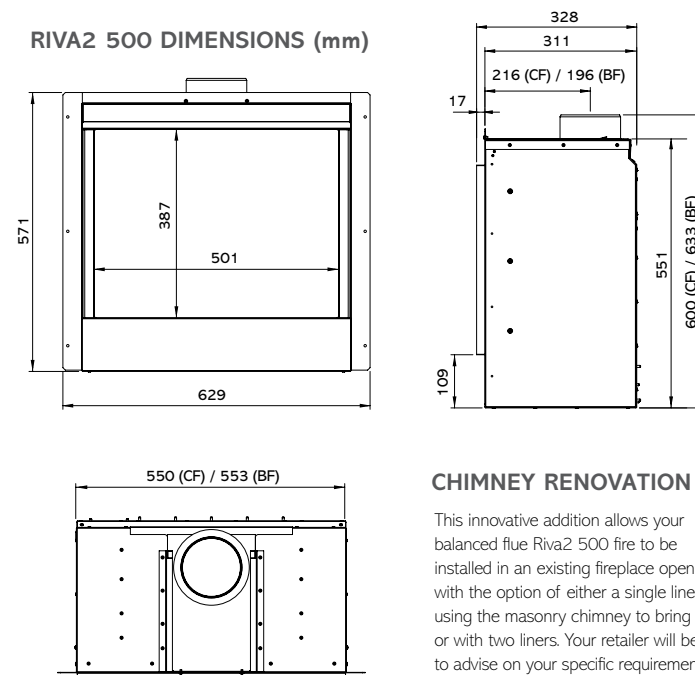
† For more Balanced Flue information please refer to our Concentric Flue System brochure which can be viewed at www.gazco.com

RIVA2 500 OPTIONS

For LPG Riva2 gas fires, the below lining sets can be purchased separately.

Product Code	Description
934-005	Black Reeded Lining Set - Conventional Flue
934-030	Brick-effect Lining Set - Conventional Flue
934-018	Black Glass Lining Set - Conventional Flue
934-206	Ledgestone-effect Lining Set - Conventional Flue
934-159	Black Reeded Lining Set - Balanced Flue
934-203	Brick-effect Lining Set - Balanced Flue
934-109	Black Glass Lining Set - Balanced Flue
934-219	Ledgestone-effect Lining Set - Balanced Flue
999-620	Remote system mains adaptor
8572	Warm air ducting kit (2 outlets) - Balanced Flue
8509	Balanced flue kit - up and out †
8524	Balanced flue kit - vertical †
999-201	Horizontal Exit terminal guard (required for below 2m) †
928-315	Chimney Renovation Kit

RIVA2 500 DIMENSIONS (mm)



CHIMNEY RENOVATION KIT

This innovative addition allows your balanced flue Riva2 500 fire to be installed in an existing fireplace opening with the option of either a single liner using the masonry chimney to bring in air or with two liners. Your retailer will be able to advise on your specific requirements. See page 56 for diagram.



Riva2 500HL Slimline

RIVA2 500HL SLIMLINE FIRE INFORMATION

Product Code	Flue Type	Gas Type	Heat Input	Heat Output	Energy Efficiency Class	Efficiency	Remote Control	Lining	Opening Size (mm)		
									w	h	d
⊗ 134-115	Balanced	Nat. Gas	6.00kW	4.60kW	B	86%	Prog. Thermostatic	Black Reeded	565	695	240
⊗ 134-102	Balanced	Nat. Gas	6.00kW	4.60kW	B	86%	Prog. Thermostatic	Black Glass	565	695	240

RIVA2 500HL SLIMLINE OPTIONS

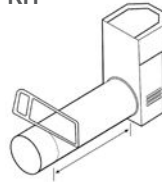
Product Code Description

934-289	Riva2 500 HL Slimline Balanced Flue Black Reeded Lining Set
934-306	Riva2 500 HL Slimline Balanced Flue Black Glass Effect Lining Set
999-620	Remote System Mains Adaptor

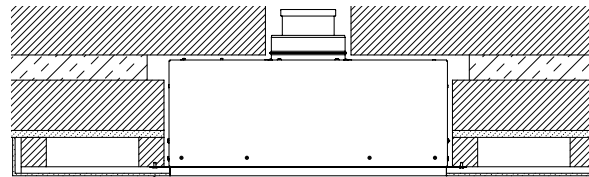
REAR EXIT BALANCED FLUE TERMINATION KIT

The Riva2 500HL Slimline comes complete with a specific rear exit balanced flue termination kit (8526) included.

395 x 200 x 200 mm (H x W x D) Guard supplied.
Cut to length as required on site.



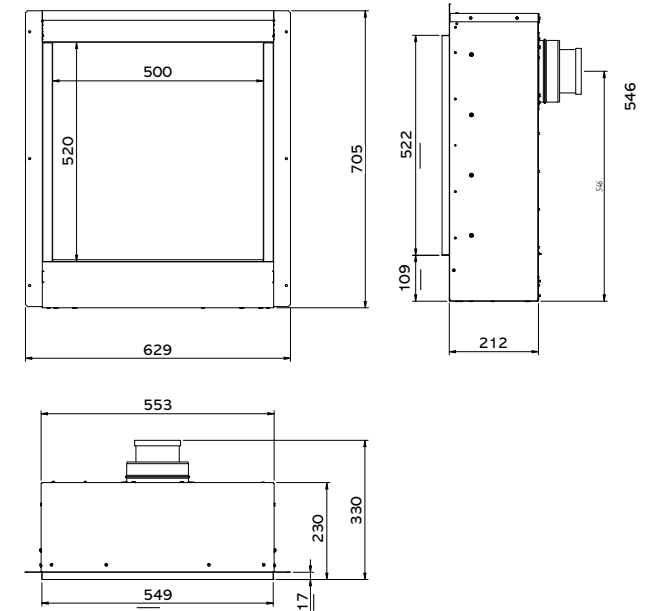
TYPICAL INSTALLATION FOR EDGE



BUILD ONTO EXISTING WALL (ALLOWING FOR 76mm/3" OFFSET ENSURING THAT FINISHED SURFACE ALIGNS TO PRODUCT FLANGES.

When installed into the inner leaf of a cavity wall, the front face of the appliance will require a 75mm (3") rebated surround complete with a finishing slip to house the remaining appliance depth.

RIVA2 500HL SLIMLINE DIMENSIONS (mm)



Riva2 600HL

RIVA2 600HL FIRE INFORMATION

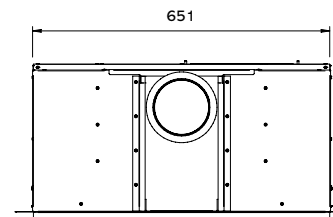
Product Code	Flue Type	Gas Type	Heat Input	Heat Output	Energy Efficiency Class	Efficiency	Remote Control	Lining	Opening Size (mm)		
									w	h	d
⊗ 134-330	Conventional	Nat. Gas	7.70kW*	5.30kW	D	76%	Prog. Thermostatic	Brick-effect	671	793	350
⊗ 134-343	Conventional	Nat. Gas	7.70kW*	5.30kW	D	76%	Prog. Thermostatic	Ledgestone-effect	671	793	350
⊗ 134-324	Conventional	Nat. Gas	7.70kW*	5.30kW	D	76%	Prog. Thermostatic	Black Glass	671	793	350
⊗ 134-661	Conventional	LPG	6.60kW	4.60kW	D	76%	Prog. Thermostatic	Black Glass	671	793	350

* Riva2 600HL NG: 7.7kW is the gross input figure. The net input of the product is 6.9kW and does not normally require any addition purpose provided ventilation or modification to the building in order to provide extra air circulation as a result of installing this product.

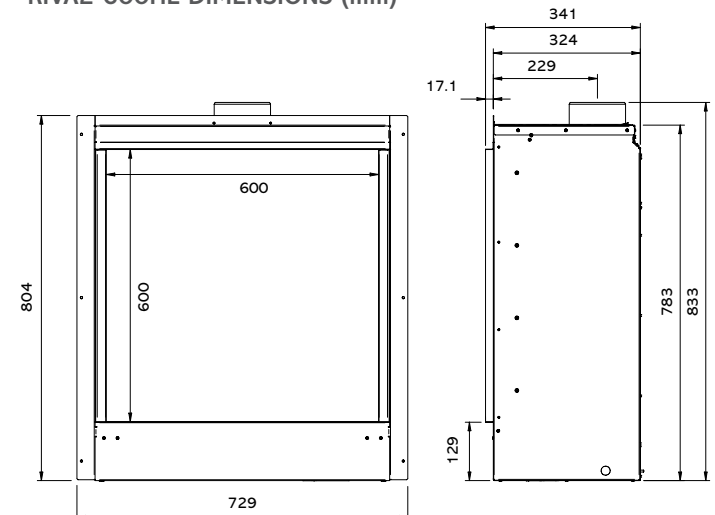
RIVA2 600HL OPTIONS

For LPG Riva2 gas fires, the below lining sets can be purchased separately.

Product Code	Description
934-572	Riva2 600HL Conventional Flue Brick Effect Lining Set
934-588	Riva2 600HL Conventional Flue Ledgestone Lining Set
934-591	Riva2 600HL Conventional Flue Black Glass Lining Set
999-620	Remote System Mains Adaptor



RIVA2 600HL DIMENSIONS (mm)



Riva2 600

FIRE INFORMATION

Product Code	Flue Type	Gas Type	Heat Input	Heat Output	Energy Efficiency Class	Efficiency	Remote Control	Lining	Opening Size (mm)		
									w	h	d
⊗ 134-028	Conventional	Nat. Gas	6.90kW	5.00kW	C	80.5%	Prog. Thermostatic	Black Glass	674	564	350
⊗ 134-509	Conventional	LPG	6.50kW	4.80kW	C	80.5%	Prog. Thermostatic	Black Glass	674	564	350
⊗ 134-044	Conventional	Nat. Gas	6.90kW	5.00kW	C	80.5%	Prog. Thermostatic	Brick-effect	674	564	350
⊗ 134-052	Conventional	Nat. Gas	6.90kW	5.00kW	C	80.5%	Prog. Thermostatic	Ledgestone-effect	674	564	350
⊗ 134-104	Balanced Flue	Nat. Gas	6.40kW	5.30kW	A	92%	Prog. Thermostatic	Black Glass	668	646	329
⊗ 134-600	Balanced Flue	LPG	6.70kW	5.70kW	A	92%	Prog. Thermostatic	Black Glass	668	646	329
⊗ 134-123	Balanced Flue	Nat. Gas	6.40kW	5.30kW	A	92%	Prog. Thermostatic	Brick-effect	668	646	329
⊗ 134-141	Balanced Flue	Nat. Gas	6.40kW	5.30kW	A	92%	Prog. Thermostatic	Ledgestone-effect	668	646	329

RIVA2 600 FRAME INFORMATION

Description	Frame Finish	Product Code	Frame Size (mm)		
			w	h	d
Icon XS	Black Glass	934-447	933	668	26
Verve XS	Graphite	934-504	990	685	67
Designio2 Steel	Graphite	934-622	790	603	38
Designio2 Glass	Black Glass	934-649	790	603	41

RIVA2 600 OPTIONS

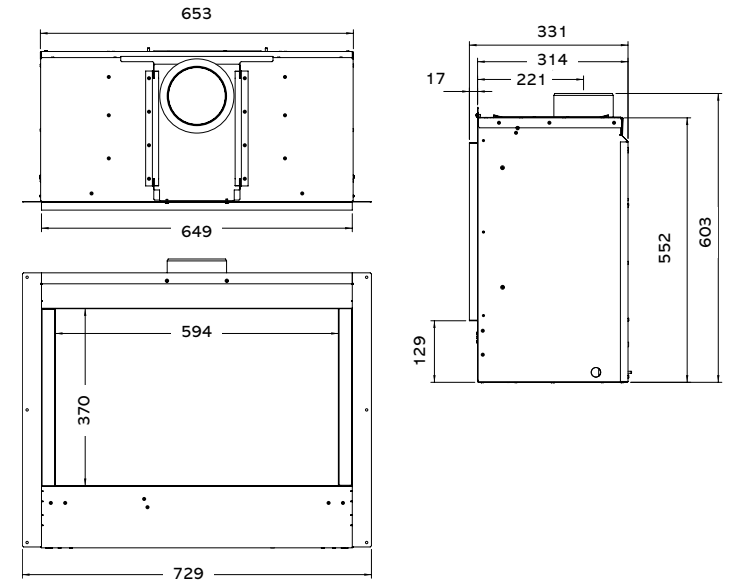
For LPG Riva2 gas fires, the below lining sets can be purchased separately.

Product Code Description

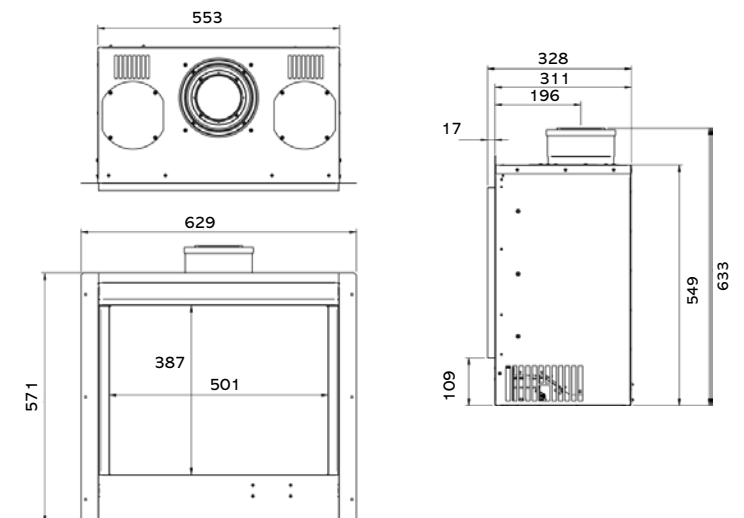
934-534	Riva2 600 Black Glass Lining Set
934-251	Riva2 600 Brick-effect Lining Set
934-405	Riva2 600 Ledgestone-effect Lining Set
8572	Warm Air Ducting Kit (2 Outlets)
999-620	Remote System Mains Adaptor
928-315	Chimney Renovation Kit

RIVA2 600 DIMENSIONS (mm)

Conventional Flue



Balanced Flue



Riva2 600 Edge with EchoFlame Black Glass lining

Riva2 750HL

FIRE INFORMATION

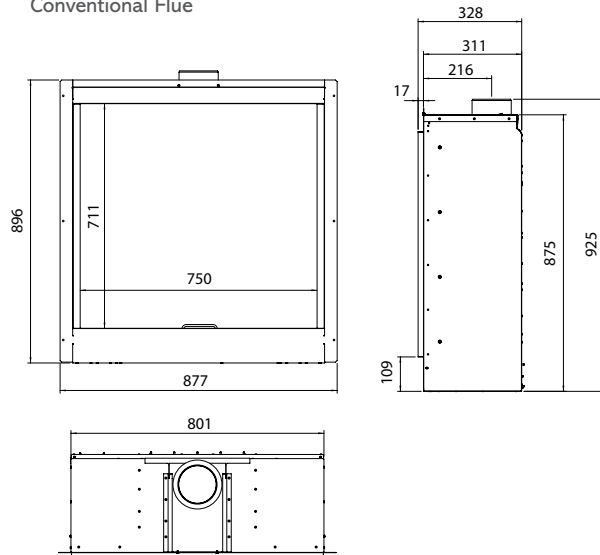
Product Code	Flue Type	Gas Type	Heat Input	Heat Output	Energy Efficiency Class	Efficiency	Remote Control	Lining	Opening Size (mm)		
									w	h	d
134-089	Conventional flue	Nat. Gas	8.70kW	6.30kW	C	81%	Prog. Thermostatic	Black Reeded	816	885	350
134-139	Conventional flue	Nat. Gas	8.70kW	6.30kW	C	81%	Prog. Thermostatic	Brick-effect	816	885	350
134-020	Conventional flue	Nat. Gas	8.70kW	6.30kW	C	81%	Prog. Thermostatic	Black Glass	816	885	350
134-039	Conventional flue	Nat. Gas	8.70kW	6.30kW	C	81%	Prog. Thermostatic	Ledgestone-effect	816	885	350
134-033	Balanced flue	Nat. Gas	8.40kW	7.00kW	A	92%	Prog. Thermostatic	Black Reeded	816	885	380
134-059	Balanced flue	Nat. Gas	8.40kW	7.00kW	A	92%	Prog. Thermostatic	Brick-effect	816	885	380
134-084	Balanced flue	Nat. Gas	8.40kW	7.00kW	A	92%	Prog. Thermostatic	Black Glass	816	885	380
134-076	Balanced flue	Nat. Gas	8.40kW	7.00kW	A	92%	Prog. Thermostatic	Ledgestone-effect	816	885	380

RIVA2 750HL OPTIONS

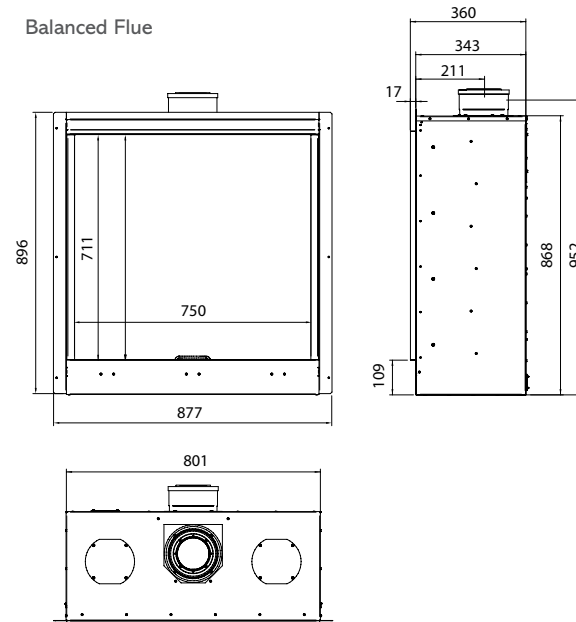
934-011	CF Black Reeded Lining Set	934-037	BF Black Reeded Lining Set
934-060	CF Brick-effect Lining Set	934-077	BF Brick-effect Lining Set
934-226	CF Black Glass Lining Set	934-091	BF Black Glass Lining Set
934-284	CF Ledgestone-effect Lining Set	934-086	BF Ledgestone-effect Lining Set
928-315	Chimney Renovation Kit	999-620	Remote System Mains Adaptor

RIVA2 750HL DIMENSIONS (mm)

Conventional Flue

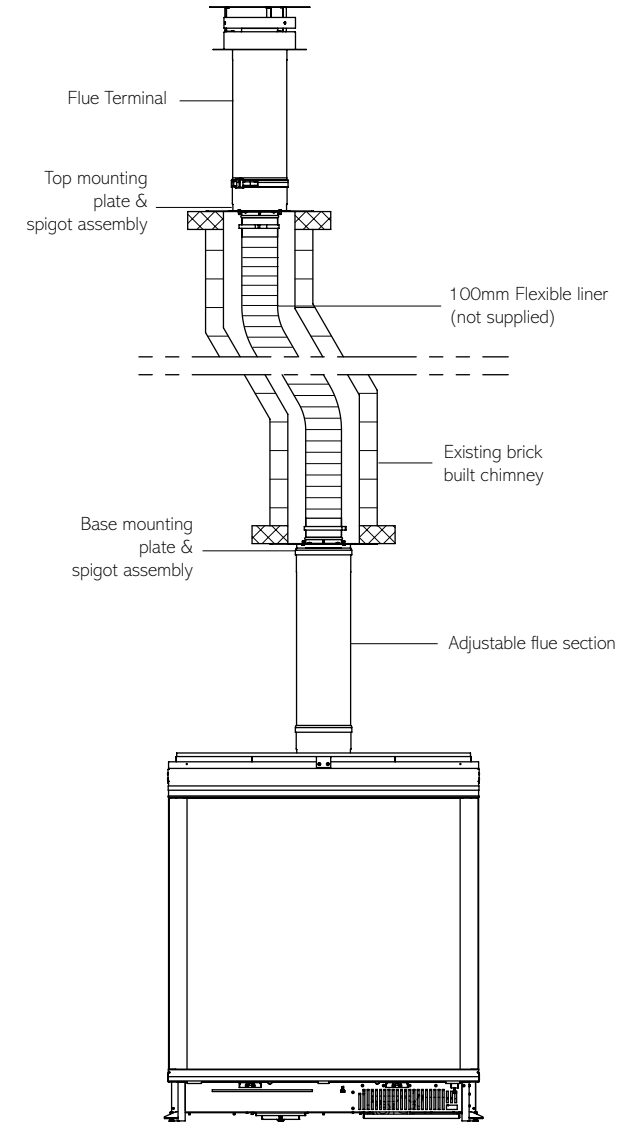


Balanced Flue



Chimney Renovation Kit for Riva2 500, 600 & 750HL

This innovative addition allows your balanced flue Riva2 500, 600 or 750HL fire to be installed in an existing fireplace opening with the option of either a single liner using the masonry chimney to bring in air or with two liners. Your retailer will be able to advise on your specific requirements.



CHIMNEY RENOVATION KIT

This innovative addition allows your balanced flue Riva2 750HL fire to be installed in an existing fireplace opening with the option of either a single liner using the masonry chimney to bring in air or with two liners. Your retailer will be able to advise on your specific requirements. See right for diagram.

How little does it cost to run a Gazco Riva2 gas fire?

Choosing a Gazco high-efficiency gas fire is not only about enjoying stunning flame visuals – it can also be a smart choice for reducing your energy consumption. With high efficiency performance, our Riva2 gas fires can be part of a zonal heating strategy – heating the room you intend to use, rather than the whole house, potentially helping you lower your heating costs while keeping your home cosy. For example, a Riva2 400 gas fire could cost little as 65p for warming your living space during an evening*.

Find out more about running costs and saving energy at www.gazco.com/howlittle

Riva2 400 Gas

- ✓ Input: 5.2kW (high), 2.6kW (low)
- ✓ Nominal Output: 3.8kW
- ✓ Maximum Efficiency: 81%†
- ✓ Efficiency label: C

Cost per evening*
65p

Example Running Costs

1 Hour	on low continuous heating	16p
1 Hour	on high continuous heating	32p
4 Hours	on low continuous heating	65p
4 Hours	on high continuous heating	£1.30



*Based on running the Riva2 400 Conventional Flue Natural Gas model at 4 hours on low input of 2.6kW. The costs presented are based on the average UK cost per unit of gas (including VAT) from 1 October 2024, for customers on the default tariff. Figures generated are for typical domestic consumption paying by direct debit and will vary based on actual household usage (6.24p per kWh, OFGEM, Energy Price Cap, <https://www.ofgem.gov.uk/energy-price-cap>). Does not include any costs relating to product maintenance and servicing. Prices rounded to nearest whole pence. To the best of our knowledge all content is accurate at the time of going to print (September 2024). E&OE. †Maximum efficiency is achieved when running product on high output setting.

WIN the cost of your product back!*

For further home inspiration you can **view real life installations** at our Customer Showcase page and share your thoughts and photos of your new stove or fire installation to enter our draw!

- We will publish your entry on our Customer Showcase
- You will be entered into a draw for the chance to win the cost of your product back
- **Gain a second entry** by registering your product online for your free extended warranty at gazco.com/registration



"It creates a fabulous cosy feel in the winter"



PREVIOUS WINNER!

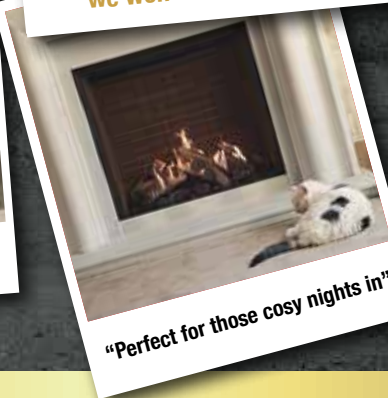
"We are still over the moon that we won the competition"



"So pleased we chose this gas alternative to a log burning stove"



"It's so easy to start up, with a press of a button!"



"Perfect for those cosy nights in"

View real life installations and submit your review at

gazco.com/customershowcase

* Terms and conditions apply. See online for details

Important Information

Technical Specifications

All specifications given in this brochure are approximate. Actual specifications for each individual product will vary according to model. Your Gazco retailer will be pleased to provide any further information you require. Alternatively you may view or download specification sheets from www.gazco.com

Installation and Safety

Gazco gas fires must be fitted by a qualified gas installer (Gas Safe registered in the United Kingdom or RGII registered in the Republic of Ireland) who should also verify the proposed site conditions are fully suitable for the product selected. Complete installation instructions for many models can be obtained prior to purchase by viewing or downloading them from www.gazco.com. Please note that all parts of these fires, particularly the glass panel in the door, become extremely hot during operation and can result in serious injury and burns if touched. It is therefore recommended that a fireguard complying with BS 8423 (latest edition) is used in the presence of young children, the elderly or infirm.

Colours/Flame pictures

Owing to variations in studio lighting and printing inks, the finishes/colours of fires illustrated in this brochure may differ slightly from actual models. Before purchasing, please ask your retailer to show you finish/colour samples. Whilst all the flame pictures shown in this brochure are of actual fires, flame pictures may vary depending on the installation, flue conditions and geographical/surrounding features that may effect the efficiency of the flue.

Care and maintenance

Traditional materials, such as polished steel and brass, tarnish on contact with air, especially when also exposed to heat. To help minimise this effect, we recommend fires receive regular treatment with suitable proprietary cleaners. Additionally, please remember that gas fires will require servicing annually by a qualified gas installer Gas Safe registered in the United Kingdom or Bord Gáis registered in the Republic of Ireland).

Warranty and Product Improvement

Your Gazco Expert Retailer will provide you with a Two Year Warranty for your new gas fire. This can be extended to a Five Year Warranty provided your fire has been registered with Gazco. The second and subsequent years are dependant on the appliance being serviced 12 months after installation and annually thereafter and exclude certain consumable parts. Fires purchased outside of Gazco's Expert Retailer Network will carry a standard 1 Year Non-Extendable Warranty, or minimum statutory warranty for your country. Full warranty terms and conditions are available to view at www.gazco.com.



Gazco pursue a policy of continuous product improvement, therefore, whilst our products are correct at the time of the photography, we reserve the right to make alterations and amendments. Exact product details should be discussed with your retailer at the time of purchase.

Air Ventilation for Gas Fires

To comply with gas appliance installation regulations, the Riva2 750HL conventional flue requires additional ventilation into your room. For further information, please consult either your Gazco retailer or the Gazco Technical Information on our website www.gazco.com to confirm the ventilation required. All other fires featured in this brochure do not require additional ventilation.

Gazco gratefully acknowledges the assistance of the following companies with photographic settings:

Furnishings and Ornaments:- www.furniturevillage.co.uk; www.johnlewis.com; www.theorangetree.co.uk; www.habitat.co.uk; www.houseoffraser.co.uk; www.loaf.com; www.sofarooms.co.uk; www.tomraffield.com; www.nkuku.com; www.ashore-jewellery.co.uk; www.electrique.co.uk; www.debenhams.com; www.next.co.uk; www.mokodirect.co.uk; www.marksandspencer.com; www.rockettstgeorge.co.uk; www.wayfair.co.uk; www.tkmaxx.com; www.homesense.com; www.next.co.uk; www.amtico.com; ; www.chunkymonkeyfurniture.co.uk; www.desenio.co.uk • **Lighting:-** www.amoslighting.co.uk • **Wood Mantels:-** www.stovax.com **Stone Mantels:-** www.farmington.co.uk; www.grandisson.com; www.rudloe-stone.com **Wood flooring:-** www.beechbros.co.uk • **Tiles & Stone floors:-** www.originalstyle.com; www.wallsandfloors.co.uk • **Plants:-** www.stbridgetnurseryseries.co.uk; www.urbandruralplants.co.uk





Gazco Limited, Spitfire Avenue, Skypark, Clyst Honiton,
Exeter, Devon, EX5 2FR

Trade Sales

Tel: 01392 261999 • Email: info@gazco.com

gazco.com   

Find Your Retailer

You can find your nearest retailer by visiting:
www.gazco.com/retailers



Your Gazco stockist:



Paper sourced from sustainable forests and printed using vegetable-based inks

© All material copyright Gazco Limited 2024 | E & O E
A member of the Stovax Group



*Riva2 750HL Edge with Brick-effect lining
shown with Claremont Limestone Mantel*