

Contact Details

Please note that some of the contact details on this PDF document may not be current.

Please use the following details if you need to contact us:

Telephone: 0844 879 3588

Email: customer.services@gdcgroup.co.uk

The customer support section of our website also features a wide range of information which may be of use to you and is available 24 hours a day. It includes:

- Operating and installation instructions
- Easy 'How to use' guides for storage heaters
- Service and repairs
- Where to buy our products
- Literature downloads
- Heating requirement calculator

Visit - www.dimplex.co.uk/support

Barrington Suite - Model : GDS4

Introduction

Dimplex recommends that the Albany fire be fixed into the Barrington surround using the brackets provided and by following steps 2-4 in the instructions below. Step 1 gives instructions for replacing, if desired, the black-painted drawer front that is supplied with the Albany with the cream-coloured drawer front supplied with the Barrington surround. As always with maintenance on electrical products, ensure that the Albany fire is disconnected from the electricity supply before following the instructions below.

Installation

- Step 1** Pull open the drawer and remove the water tank and sump, then separate the drawer front assembly from the vertical part of drawer base by undoing the four screws shown in fig 1a. Undo the four M8 screws shown in fig 1b to remove the metal back piece from the black-painted drawer front. Follow this procedure in reverse to fit the cream-painted replacement drawer front.
- Step 2** Remove the two metal brackets from the surround by undoing the eight wood screws. Retain the screws for use in steps 3 and 4.
- Step 3** Use the four screws supplied with the surround to fix the upper bracket to the top of the fire. Undo the three screws from the base of the back panel of the fire (one in the centre and one on each side) and re-use these to fix the lower bracket to the fire.
- Step 4** Place the fire into the surround and line up the opening at the front of the fire with the opening of the surround and then re-use the eight wood screws to fix the fire securely into the surround.

Step 1

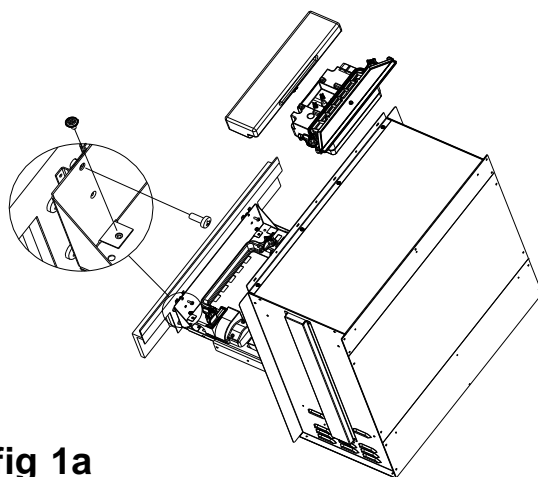


fig 1a

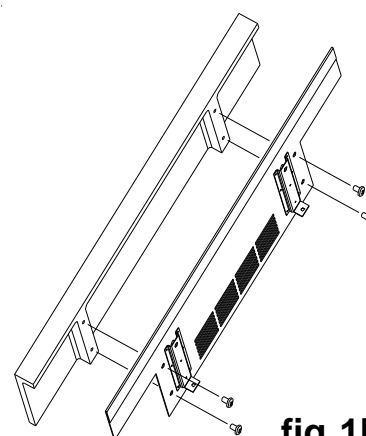
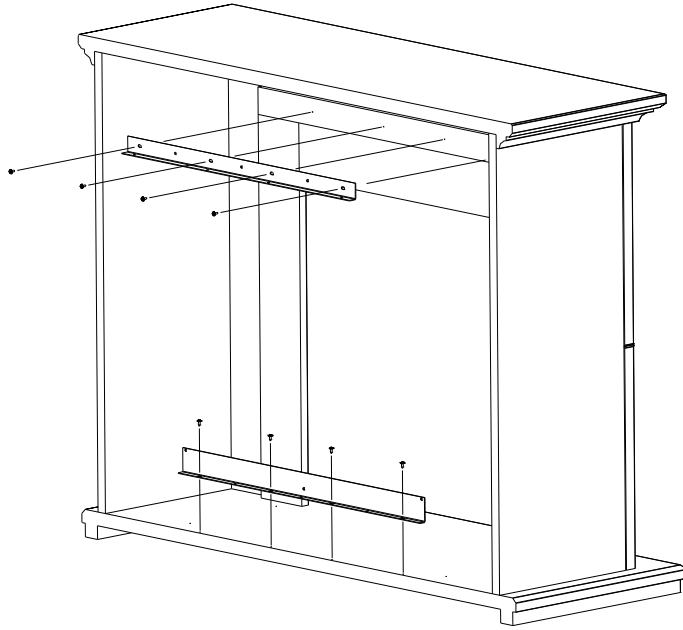


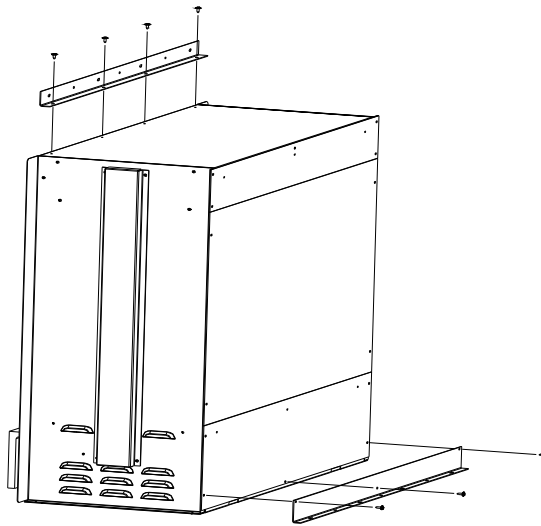
fig 1b

08/51413/0 Issue 0

Step 2



Step 3



Step 4

