



**CAPITAL**  
— FIRES —

GAS & ELECTRIC FIRES 2018 - 2019







## *Contents*

---

### ELECTRIC FIREPLACES

SHANNARA	06
REGINA	08
SANSA	10

### ELECTRIC INSET FIRES

VOLTEK 22	12
PHANTASY	14
LECTRO	16

### DESIGN LINE GAS FIRES

DL400	18
DL500	22
DL700	26
DL800	30

### GAS INSET FIRES

PULSAR	34
STRATOS	36
CORVAR	38
REGULUS	40
OMEGA & MATAR	42
ASCELLA	44
FIREFRAMES	46
TRIMS & FRETS	49

**3**  
**YEAR**  
WARRANTY  
GAS FIRE



evoflame<sup>®</sup>  
ULTRAHD

### CAPITAL INSET FIRES

Our gas and electric fire range has been specifically designed to offer a wide range of trim options to compliment the décor of your home. The range also offers great flexibility when it comes to installation, so whether you have a traditional chimney or a more modern flue, we have a fire to suit your needs.

Depending on the fire, you can also choose between coal and log effect fuel beds. The majority of our gas fires include a slide control which enables you to light and control the fire without having to bend down and remove the ashpan cover.





**2**  
YEAR  
WARRANTY  
ELECTRIC



# DESIGN LINE

- FIRES OF STYLE -

Contemporary glass fronted gas fires with large viewing windows and realistic log fuel beds make these fires a striking feature in any room. Supplied with a programmable remote control hand set as standard.

ELECTRIC FIREPLACES





made to  
measure



SHANNARA STANDARD

## SHANNARA ELECTRIC FIREPLACE

The Shannara Electric Fireplace creates a modern and contemporary focal point to any room. The e-series electric fire features the evoflame ultra HD effect that not only gives the impression of a deep and rich flame picture produced using energy saving LED's but also incorporates the latest in non-reflective front glass technology. Additional features are a unique flicker effect that adds realism and movement to the fuel bed and a fully programmable remote control system. This modular fireplace comes in 5 pieces which simply fit together to form a stunning centrepiece. Designed to fit on a flat wall the Shannara Electric Fireplace requires no existing chimney and minimal installation work.

Shown to the left with the full length chimney breast option and above

in its standard compact version. This fireplace can be made to measure and available in a choice of standard and customised colours. See our website for further details.

**evoflame**<sup>®</sup>  
**ULTRAHD**

Model	Shannara Electric Fireplace
Fuel Bed	Woodland Logs
Heat Output	1 & 2kW
Flame Effect Only	Yes
Control	Fully Programmable Remote System
Height / Height with Chimney Breast	32" (813mm) / 87" (2210mm)
Width	58" (1473mm)
Depth	16" (406mm)

# ELECTRIC FIREPLACES







REGINA STANDARD

## REGINA ELECTRIC FIREPLACE

**evoflame**<sup>®</sup>  
**ULTRAHD**

The Regina Electric Fireplace creates a modern and contemporary focal point to any room and features a gently curving front profile. The e-series electric fire features the evoflame ultra HD effect that not only gives the impression of a deep and rich flame picture produced using energy saving LED's but also incorporates the latest in non-reflective front glass technology. Additional features are a unique flicker effect that adds realism and movement to the fuel bed and a fully programmable remote control system.

This modular fireplace comes in 5 pieces which simply fit together to form a stunning centrepiece. Designed to fit on a flat wall the Regina Electric Fireplace requires no existing chimney and minimal installation work.

Shown to the left with the full length chimney breast option and above in its standard compact version. This fireplace can be made to measure and available in a choice of standard and customised colours. See our website for further details.

Model	Regina Electric Fireplace
Fuel Bed	Woodland Logs
Heat Output	1 & 2kW
Flame Effect Only	Yes
Control	Fully Programmable Remote System
Height / Height with Chimney Breast	37" (940mm) / 87" (2210mm)
Width	54" (1372mm)
Depth	16" (406mm)

# ELECTRIC FIREPLACES



made to  
measure





## SANSA ELECTRIC FIREPLACE

**evoflame**<sup>®</sup>  
**ULTRAHD**

The Sansa Electric Fireplace creates a modern and contemporary focal point to any room and features a gently curving front profile. The e-series electric fire features the evoflame ultra HD effect that not only gives the impression of a deep and rich flame picture produced using energy saving LED's but also incorporates the latest in non-reflective front glass technology. Additional features are a unique flicker effect that adds realism and movement to the fuel bed and a fully programmable remote control system.

This modular fireplace comes in 5 pieces which simply fit together to form a stunning centrepiece. Designed to fit on a flat wall the Regina Electric Fireplace requires no existing chimney and minimal installation work.

Shown to the left with in its standard compact version but an optional full height chimney breast version is also available. This fireplace can be made to measure and available in a choice of standard and customised colours. See our website for further details.

Model	Sansa Electric Fireplace
Fuel Bed	Woodland Logs
Heat Output	1 & 2kW
Flame Effect Only	Yes
Control	Fully Programmable Remote System
Height / Height with Chimney Breast	32" (813mm) / 87" (2210mm)
Width	48" (1219mm)
Depth	16" (406mm)

# ELECTRIC INSET FIRES

**2**  
**YEAR**  
WARRANTY  
ELECTRIC





POLISHED TRIM & VOLTEK FRET



POLISHED TRIM & BLENHEIM FRET



BLACK TRIM & VOLTEK FRET



BLACK TRIM & BLENHEIM FRET

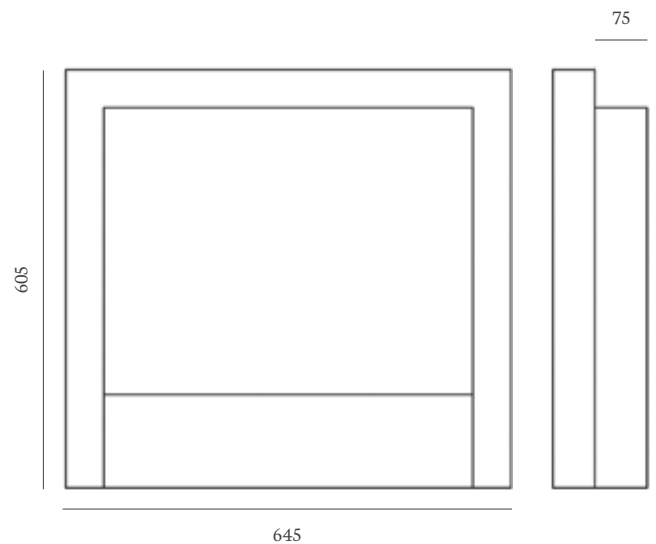
Mix 'n' Match the trims and frets shown as desired

## VOLTEK 22 ELECTRIC FIRE NEW

### SUPER WIDE 22" FUEL BED BUT STILL FITS A STANDARD 16" X 22" OPENING

Introducing our latest innovation, the Voltek is a stunning new electric inset fire with a log effect fuel bed and is available with multiple frame options to choose from including a Black or Polished Magnetic Trim and Fret or a Polished Blenheim Fret. Pictured here with the Lyrel 52" Portuguese Limestone Suite and LED Ambient Lit Mantel, the Voltek is a fine choice for those without a chimney but seeking a realistic, high definition fire.

Model	Voltek Electric Inset Fire
Fuel Bed	Log Effect
Suitability	No Chimney Required
Heat Output	750W and 1500W
Control	Hand-Held Remote with Manual Override



ELECTRIC INSET FIRES



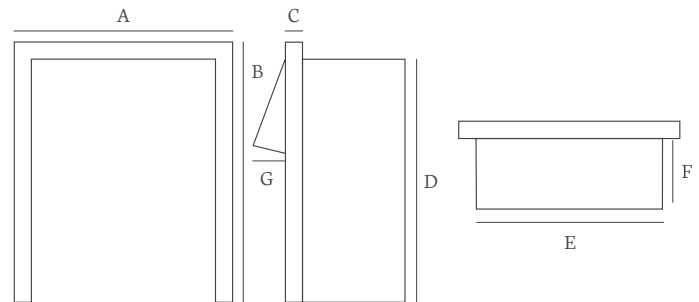
AVAILABLE WITH  
ALL FIREFRAMES,  
TRIMS AND FRETS  
FROM PAGE 46



## PHANTASY ELECTRIC FIRE

The perfect choice for those without a chimney, the Phantasy is a stunning inset electric fire featuring a Whisperglow Flame Effect. Available with a remote control which enables you to easily set the thermostat and brightness of the flames and adjust the temperature from the comfort of your armchair. The Phantasy is pictured to the left with a Black Trim and Fret in the Belmonte Suite and above with the Flare Brushed Copper Fireframe. This inset electric fire is available with all the Capital fireframes, trims and frets pictured from page 46.

Model	Phantasy Electric Inset Fire
Fuel Bed	Coal Effect
Suitability	No Chimney Required
Heat Output	Variable Effect Only (900kW & 1800kW)
Control	Hand-Held Remote with Manual Override



	ABRI	CAPELLA	FLARE	MIZAR	PROVIDENT	HALO	TRIM & FRET
A	520	520	520	520	590	602	510
B	655	615	635	615	740	662	610
C	80	75	75	75	85	104	10
D	565	565	565	565	565	545	565
E	410	410	410	410	410	410	410
F	75	75	75	75	75	75	75
G	50	45	40	45	70	45	50

ELECTRIC INSET FIRES





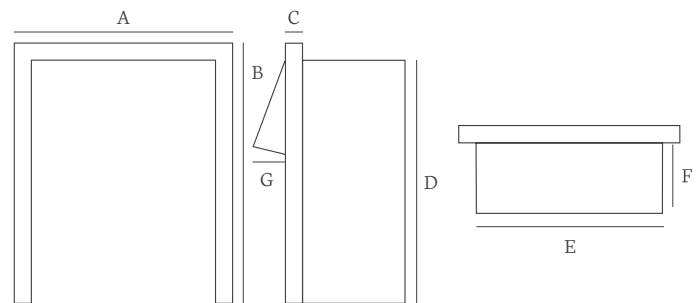
AVAILABLE WITH  
ALL FIREFRAMES,  
TRIMS AND FRETS  
FROM PAGE 46



## LECTRO ELECTRIC FIRE

The Lectro is a classic inset electric fire supplied with both coals and pebbles and can be fitted with or without a chimney. Available as manual or remote control, the Lectro is pictured to the left with the Dalton 48" Portuguese Limestone Suite and Mizar Antique Brass Fireframe and above with an Antique Brass Trim and Bauhaus Fret. This inset electric fire is available with all the Capital fireframes, trims and frets pictured from page 46.

Model	Lectro Electric Inset Fire
Fuel Bed	Coals or Pebbles
Suitability	No Chimney Required
Heat Output	Variable Effect Only (1kW & 2kW)
Control	Hand-Held Remote with Manual Override



	ABRI	CAPELLA	FLARE	MIZAR	PROVIDENT	HALO	TRIM & FRET
A	520	520	520	520	590	602	510
B	655	615	635	615	740	662	610
C	80	75	75	75	85	104	10
D	565	565	565	565	565	545	565
E	410	410	410	410	410	410	410
F	75	75	75	75	75	75	75
G	50	45	40	45	70	45	50

# DESIGN LINE

## DL400 GAS FIRE

Contemporary styling with sleek design features, Design Line is a high performance range with a fully sequential remote control. The DL400 comprises a modern black glass chamber, a high definition log effect fuel bed and is available with an optional three or four sided trim and fret. Pictured here with the Dalton 48" Portuguese Limestone Suite.

MODEL: DL400 INSET GAS FIRE

EFFICIENCY: 81%

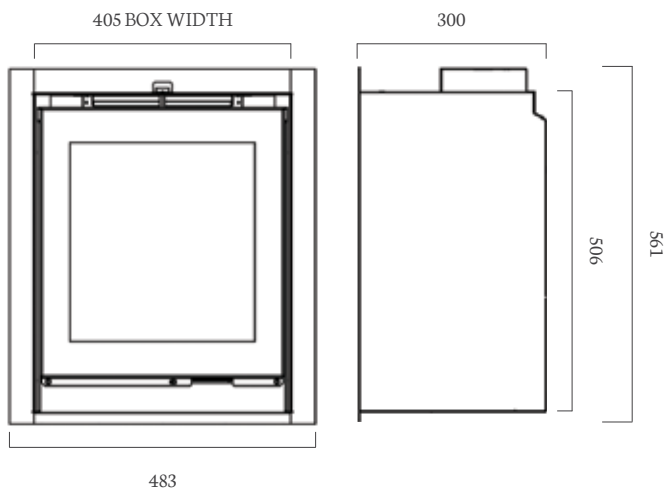
FUEL: NATURAL GAS

INTERIOR: BLACK GLASS

RATED OUTPUT: 4kW

FLUE SIZE: MIN 125mm

CONTROL: HANDHELD REMOTE (MANUAL OVERRIDE)



**3**  
**YEAR**  
WARRANTY  
GAS FIRE



**E**



DL400 WITH 4 SIDED TRIM IN THE DALTON SUITE

---



DL400 (TRIMLESS) WITH BAUHAUS FRET IN THE SWINFORD SUITE

---

**3**  
**YEAR**  
WARRANTY  
GAS FIRE



**E**

# DESIGN LINE

## DL500 GAS FIRE

Contemporary styling with sleek design features, Design Line is a high performance range with a fully sequential remote control. The DL500 comprises a modern choice of interiors including black glass or brick effect and comes with a high definition log effect fuel bed as standard. Pictured here with a Black Glass Chamber and the Holwell 42" Portuguese Limestone Suite.

**MODEL: DL500 INSET GAS FIRE**

**EFFICIENCY: 80.6%**

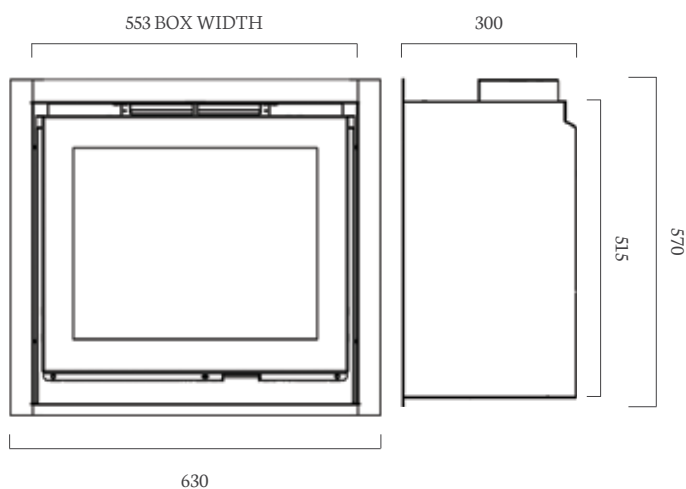
**FUEL: NATURAL GAS**

**INTERIOR: BLACK GLASS OR BRICK EFFECT**

**RATED OUTPUT: 4kW**

**FLUE SIZE: MIN 125mm**

**CONTROL: HANDHELD REMOTE (MANUAL OVERRIDE)**



**3**  
**YEAR**  
WARRANTY  
GAS FIRE



D

**3**  
**YEAR**  
WARRANTY  
GAS FIRE







D

DL500 (BLACK GLASS CHAMBER) WITH POLISHED GRANITE SLIPS

# DESIGN LINE

## DL700 GAS FIRE

Contemporary styling with sleek design features, Design Line is a high performance range with a fully sequential remote control. The DL700 comprises a modern choice of interiors including black glass or brick effect and comes with a high definition log effect fuel bed as standard. Pictured here with a Black Glass Chamber and the Catarina 700 Portuguese Limestone Suite.

**MODEL: DL700 INSET GAS FIRE**

**EFFICIENCY: 87.2%**

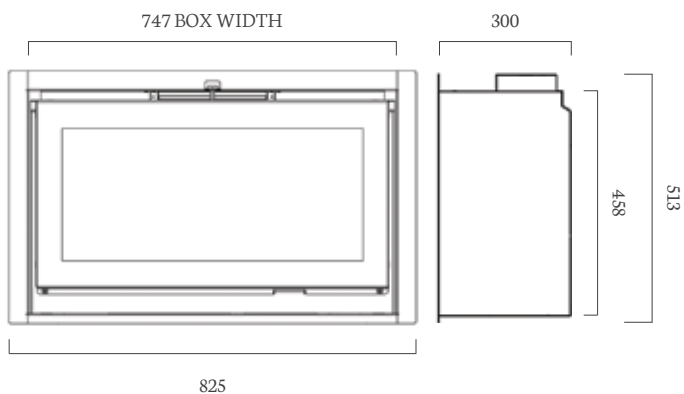
**FUEL: NATURAL GAS**

**INTERIOR: BLACK GLASS OR BRICK EFFECT**

**RATED OUTPUT: 4.71kW**

**FLUE SIZE: MIN 125mm**

**CONTROL: HANDHELD REMOTE (MANUAL OVERRIDE)**



**3**  
**YEAR**  
WARRANTY  
GAS FIRE



C

**3**  
**YEAR**  
WARRANTY  
GAS FIRE





DL700 (BRICK CHAMBER) WITH CATARINA 700 SUITE (NO SHELF)

# DESIGN LINE

## DL800 GAS FIRE

Contemporary styling with sleek design features, Design Line is a high performance range with a fully sequential remote control. The DL800 comprises a modern choice of interiors including black glass or brick effect and comes with a high definition log effect fuel bed as standard. Pictured here with a Brick Chamber and Mulholland 54" Aegean Limestone Mantel.

**MODEL: DL800 INSET GAS FIRE**

**EFFICIENCY: 78%**

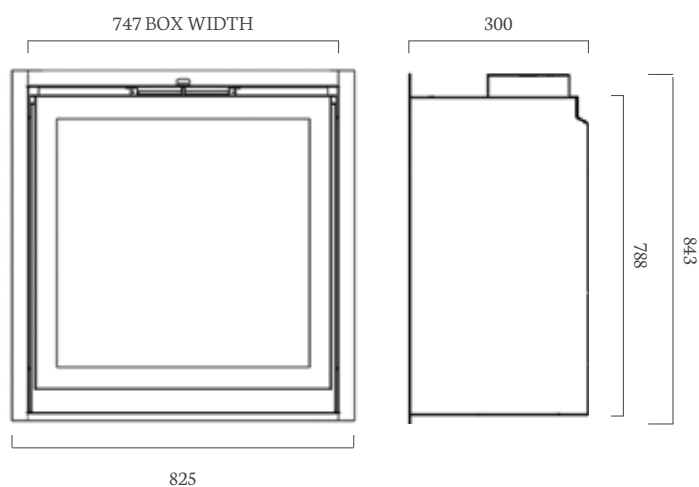
**FUEL: NATURAL GAS**

**INTERIOR: BLACK GLASS OR BRICK EFFECT**

**RATED OUTPUT: 5.2kW**

**FLUE SIZE: MIN 125mm**

**CONTROL: HANDHELD REMOTE (MANUAL OVERRIDE)**



**3**  
**YEAR**  
WARRANTY  
GAS FIRE



D

**3**  
**YEAR**  
WARRANTY  
GAS FIRE







DL800 (BRICK CHAMBER) WITH HOLLAND MANTEL

# GAS INSET FIRES

**3**  
**YEAR**  
WARRANTY  
GAS FIRE



AVAILABLE WITH  
ALL FIREFRAMES,  
TRIMS AND FRETS  
FROM PAGE 46

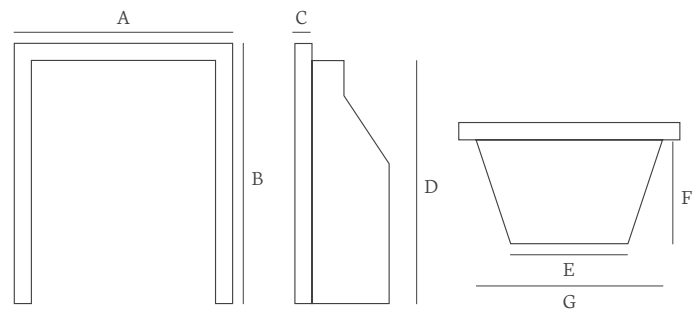


No Canopy required on Fireframes with this Fire

## PULSAR FULL DEPTH RADIANT GAS FIRE

The Pulsar is a contemporary full depth decorative gas fire with a choice of log or coal effect fuel beds. Available with slide control as standard which enables you to light and control the fire without having to bend down and remove the ashpan cover. The Pulsar is pictured to the left with the Mizar Black Fireframe in the Varsity Suite and above with the Flare Polished Fireframe. This inset fire is available with all the Capital fireframes, trims and frets pictured from page 46.

Model	Pulsar Inset Decorative Gas Fire
Fuel Bed	Log or Coal Effect
Suitability	Class I & Class II
Heat Input	6.9kW
Heat Output	3.9kW
Gas Type	Natural Gas & LPG (Special Order)
Control	Slide
Air Vent	Not Normally Required



	ABRI	CAPELLA	FLARE	MIZAR	PROVIDENT	HALO	TRIM & FRET
A	520	520	520	520	590	602	510
B	655	615	635	615	740	662	610
C	80	75	75	75	85	104	25
D	551	551	551	551	551	551	551
E	265	265	265	265	265	265	265
F	195	195	195	195	195	195	195
G	402	402	402	402	402	402	402

Please note: This product is not suitable for primary heating purposes and should be used in conjunction with the primary heating system.

# GAS INSET FIRES

**3**  
**YEAR**  
WARRANTY  
GAS FIRE



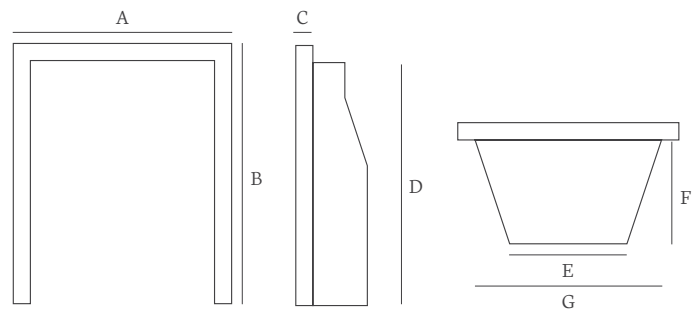
AVAILABLE WITH  
ALL FIREFRAMES,  
TRIMS AND FRETS  
FROM PAGE 46



*No Canopy required on Fireframes with this Fire*

## STRATOS MEDIUM DEPTH RADIANT GAS FIRE

The Stratos is a contemporary medium depth decorative gas fire with a coal effect fuel bed, perfect for use in shallower chimneys. Available with slide control as standard which enables you to light and control the fire without having to bend down and remove the ashpan cover. The Stratos is pictured to the left with the Abri Black Fireframe in the Faro Suite and above with the Flare Brushed Copper Fireframe. This inset fire is available with all the Capital fireframes, trims and frets pictured from page 46.



Model	Stratos Inset Decorative Gas Fire
Fuel Bed	Coal Effect
Suitability	Class I & Class II
Heat Input	6.2kW
Heat Output	3.5kW
Gas Type	Natural Gas
Control	Slide
Air Vent	Not Normally Required

	ABRI	CAPELLA	FLARE	MIZAR	PROVIDENT	HALO	TRIM & FRET
A	520	520	520	520	590	602	510
B	655	615	635	615	740	662	610
C	80	75	75	75	85	104	25
D	551	551	551	551	551	551	551
E	236	236	236	236	236	236	236
F	145	145	145	145	145	145	145
G	402	402	402	402	402	402	402

*Please note: This product is not suitable for primary heating purposes and should be used in conjunction with the primary heating system.*

# GAS INSET FIRES

**3**  
**YEAR**  
WARRANTY  
GAS FIRE



AVAILABLE WITH  
ALL FIREFRAMES,  
TRIMS AND FRETS  
FROM PAGE 46

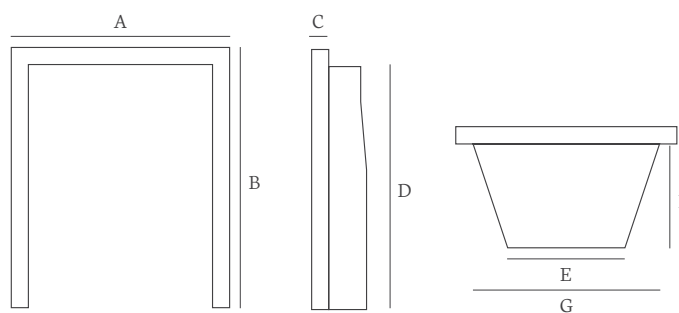


No Canopy required on Fireframes with this Fire

## CORVAR SLIMLINE RADIANT GAS FIRE

The Corvar is a contemporary, ultra shallow decorative gas fire with a coal effect fuel bed, perfect for use in chimneys and flues. Available with slide control as standard which enables you to light and control the fire without having to bend down and remove the ashpan cover. The Corvar is pictured to the left with the Flare Black Fireframe in the Faro Suite and above with the Halo Black Fireframe. This inset fire is available with all the Capital fireframes, trims and frets pictured from page 46.

Model	Corvar Inset Decorative Gas Fire
Fuel Bed	Coal Effect
Suitability	Class I & Class II
Heat Input	5.5kW
Heat Output	3kW
Gas Type	Natural Gas
Control	Slide
Air Vent	Not Normally Required



	ABRI	CAPELLA	FLARE	MIZAR	PROVIDENT	HALO	TRIM & FRET
A	520	520	520	520	590	602	510
B	655	615	635	615	740	662	610
C	80	75	75	75	85	104	25
D	553	553	553	553	553	553	553
E	272	272	272	272	272	272	272
F	89	89	89	89	89	89	89
G	327	327	327	327	327	327	327

Please note: This product is not suitable for primary heating purposes and should be used in conjunction with the primary heating system.

GAS INSET FIRES





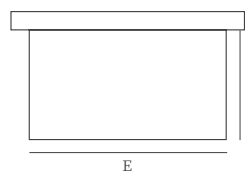
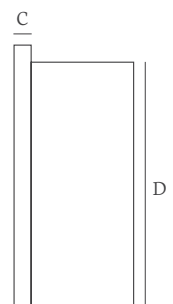
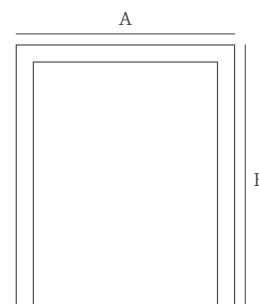
AVAILABLE WITH  
ALL CAPITAL  
TRIMS AND FRETS  
ON PAGE 49



## REGULUS FULL DEPTH RADIANT GAS FIRE

The Regulus is a classic full depth decorative gas fire with a coal effect fuel bed and no canopy. Available with a manual control, the Regulus can also be supplied with a choice of pebbles as an optional fuel bed. Pictured to the left with a Brushed Steel Trim and Fret in the Dalton Suite and above with an Antique Brass Trim and Fret. This inset fire is available with the Capital trims and frets pictured on page 49.

Model	Regulus Inset Decorative Gas Fire
Fuel Bed	Coal Effect (Pebbles Optional)
Suitability	Class I Chimney
Heat Input	6.9kW
Heat Output	Up to 3.5kW
Gas Type	Natural Gas (LPG Available)
Control	Manual
Air Vent	Not Normally Required
Efficiency (Net)	Up to 50%



TRIM & FRET	
A	510
B	610
C	10
D	555
E	405
F	245

Please note: This product is not suitable for primary heating purposes and should be used in conjunction with the primary heating system.

# GAS INSET FIRES

**3**  
**YEAR**  
WARRANTY  
GAS FIRE



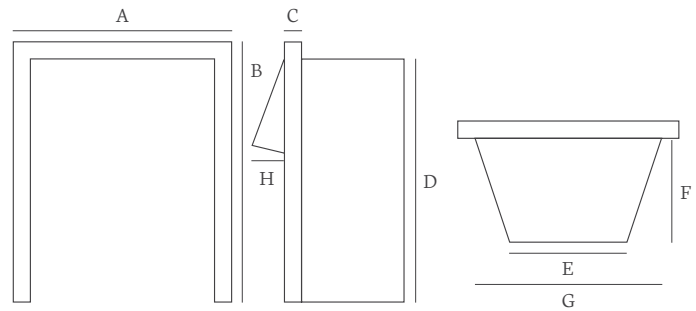
AVAILABLE WITH  
ALL FIREFRAMES,  
TRIMS AND FRETS  
FROM PAGE 46



## OMEGA FULL DEPTH CONVECTOR GAS FIRE & MATAR MEDIUM DEPTH CONVECTOR GAS FIRE

The Omega is a classic full depth convector gas fire with a coal effect fuel bed for Class I Chimneys, a Class II version is also available called the Matar. Both available with slide control as standard which enables you to light and control the fire without having to bend down and remove the ashpan cover. Pictured to the left with the Flare Polished Fireframe in the Swinford suite and above with the Mizar Brushed Copper Fireframe. This inset fire is available with all the Capital fireframes, trims and frets pictured from page 46.

Model	Omega / Matar Inset Convector Gas Fire
Fuel Bed	Coal Effect
Suitability	Class I (Omega) / Class II (Matar)
Heat Input	6.9kW / 6kW
Heat Output	Up to 4kW / Up to 3.3kW
Gas Type	Natural Gas, LPG (Special Order)
Control	Slide
Air Vent	Not Normally Required
Efficiency (Net)	Up to 64.4% / Up to 61%



(DIMS IN BRACKETS FOR CLASS II MATAR)

	ABRI	CAPELLA	FLARE	MIZAR	PROVIDENT	HALO	TRIM & FRET
A	520 (520)	520 (520)	520 (520)	520 (520)	590 (590)	602 (N/A)	510 (510)
B	655 (655)	615 (615)	635 (635)	615 (615)	740 (740)	662 (N/A)	610 (610)
C	80 (80)	75 (75)	75 (75)	75 (75)	85 (85)	104 (N/A)	85 (85)
D	545 (545)	545 (545)	545 (545)	545 (545)	545 (545)	545 (N/A)	545 (545)
E	300 (265)	300 (265)	300 (265)	300 (265)	300 (265)	300 (N/A)	300 (265)
F	235 (135)	235 (135)	235 (135)	235 (135)	235 (135)	235 (N/A)	235 (135)
G	385 (330)	385 (330)	385 (330)	385 (330)	385 (330)	385 (N/A)	385 (330)
H	50 (50)	45 (45)	40 (40)	45 (45)	70 (70)	45 (N/A)	50 (50)

# GAS INSET FIRES

**3**  
**YEAR**  
WARRANTY  
GAS FIRE



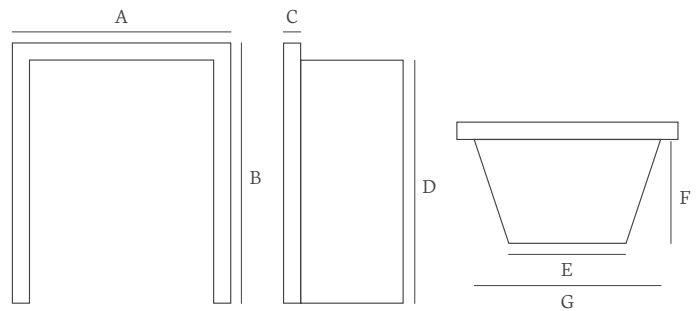
AVAILABLE WITH  
ALL FIREFRAMES,  
TRIMS AND FRETS  
FROM PAGE 46



## ASCELLA GLASS FRONTED FULL DEPTH CONVECTOR GAS FIRE

The Ascella is a highly efficient, full depth glass fronted gas fire with a coal effect fuel bed. Available with slide control which enables you to light and control the fire without having to bend down and remove the ashpan cover. The Ascella is pictured to the left with the Capella Polished Fireframe in the Belmonte suite and above with the Flare Black Fireframe. This inset fire is available with the Capital fireframes, trims and frets pictured from page 46.

Model	Ascella Inset Glass Fronted Gas Fire
Fuel Bed	Coal Effect
Suitability	Class I Flue & Class II Flue
Heat Input	5kW
Heat Output	Up to 3.85kW
Gas Type	Natural Gas
Control	Slide
Air Vent	Not Normally Required
Efficiency (Net)	Up to 89%



	ABRI	CAPELLA	FLARE	MIZAR	PROVIDENT	HALO	TRIM & FRET
A	520	520	520	520	590	602	510
B	655	615	635	615	740	662	610
C	80	75	75	75	85	104	85
D	545	545	545	545	545	545	545
E	270	270	270	270	270	270	270
F	185	185	185	185	185	185	185
G	390	390	390	390	390	390	390
H	50	45	40	45	70	45	50

# CAPITAL FIREFRAMES

---



ABRI ANTIQUE BRASS  
NO CANOPY



CAPELLA ANTIQUE BRASS



FLARE ANTIQUE BRASS  
NO CANOPY



MIZAR ANTIQUE BRASS



ABRI BLACK



CAPELLA BLACK



FLARE BLACK  
NO CANOPY



MIZAR BLACK



ABRI BRONZE  
NO CANOPY



CAPELLA BRONZE



FLARE BRONZE



MIZAR BRONZE



ABRI DARK LUSTRE



CAPELLA DARK LUSTRE  
NO CANOPY



FLARE DARK LUSTRE



MIZAR DARK LUSTRE



ABRI POLISHED  
NO CANOPY



CAPELLA POLISHED

## CAPITAL FIREFRAMES

---



FLARE POLISHED  
NO CANOPY



MIZAR POLISHED



ABRI BRUSHED COPPER  
NO CANOPY



CAPELLA BRUSHED COPPER  
NO CANOPY



FLARE BRUSHED COPPER



MIZAR BRUSHED COPPER



PROVIDENT HIGHLIGHT  
(MATCHING BACK PANEL AVAILABLE)



PROVIDENT BLACK  
(MATCHING BACK PANEL AVAILABLE)



HALO BLACK  
(NOT SUITABLE FOR MATAR GAS FIRE)



## CAPITAL TRIMS & FRETS

---



POLISHED STEEL TRIM AND 16"  
CHROME BAUHAUS FRET



ANTIQUÉ BRASS TRIM AND 16"  
BAUHAUS FRET



BLACK TRIM AND 16"  
BAUHAUS FRET



BRUSHED STEEL TRIM AND 16"  
POLISHED BAUHAUS BAUHAUS FRET







[www.capitalfireplaces.co.uk](http://www.capitalfireplaces.co.uk)