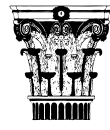


CAPITAL — STOVES —



EDITION 2018 - 2019



Capital Fireplaces was established 28 years ago to manufacture and supply high quality, elegant and affordable fireplaces crafted from natural materials.

Since then the company has expanded and developed to become one of the leading UK suppliers of a wide range of superior fireplace products.



Contents

NEW ECO 2022 STOVES

AVEBURY ECO	06
BARRINGTON ECO	08
SCENE ECO	14
SIGMA ECO	16
VEGA EDGE 200SL ECO	18
PANAMERA ECO	20
SAVONA ECO	24

MULTI FUEL STOVES

TRADITIONAL DESIGN

CASCADA 5	26
ESSENCE 405	28
IMPERIAL 405	30
PRINCIPAL 405	32
QUADRICAL 405	34
TRADITIONAL	36

CONTEMPORARY DESIGN

CONTOUR LOG STORE	38
CONTOUR PEDESTAL	40
CONTOUR MIDI	42

INSET STOVES

AQUILA 450	44
CASCADA	46
SIERRA	48
TUCANA 600	50

GAS & ELECTRIC STOVES

TRADITIONAL	52
VEGA B7/C7	54
CURVATION TALL	56
CURVATION PEDESTAL	58
CURVATION MIDI	60
SIESTA TALL	62
CURVATION ELECTRIC	64
BALANCED FLUE KITS	66
GLASS HEARTHES	67

STOVE CHAMBERS	68
GEOCAST BEAMS	70
PACKAGES	72

HELPING SAVE OUR PLANET

ECO 2022

By 2022, all newly designed wood burning stove appliances that are verified by HETAS must meet the new requirements to be cleaner and more efficient to help improve our environment through producing lower carbon emissions under the Stove Industry Alliance Eco Design Regulations.

Here at Capital, we are committed to meeting the future stringent efficiency and emission limits sooner than is required. Therefore we are proud to launch our new range of ECO Stoves. The Capital ECO range has been designed to help improve air quality and are more environmentally friendly than ever having A to A+ energy ratings. As a result, householders will significantly reduce their carbon footprint and can enjoy their stove with added reassurance their purchase is of a high environmental standard. For further information, please visit our website at www.capitalfireplaces.co.uk



LIFETIME *Warranty*

For added peace of mind, we are proud to offer a Lifetime Warranty on selected Capital Stoves, simply look out for the Lifetime Warranty logo displayed throughout this brochure. For terms and conditions, please see the inside back page.

Please note choosing the right fuel for your stove is vital to ensure a lifetime of enjoyable, trouble-free use. To burn fuel in a smoke controlled area, the law determines the fuel should be smokeless or the appliance should be approved by DEFRA. Therefore we would only recommend burning kiln dried wood or anthracite, any other fuel or objects such as household waste will produce harmful gasses subsequently reducing the performance of your stove.

All Capital Stoves are manufactured from cast iron or steel therefore it is vital that appliances undergo a period of "burning in", this involves small fires initially, gradually increasing in size with each firing. When purchasing a stove, please remember to adhere to the following important points; always read user instructions prior to initially using the stove, burn only anthracite or kiln dried wood as this will give you up to twice the heat output and help reduce tar build up in the flue, never burn household waste and do not overload the stove at any one time.

ECO 2022

REDUCING CARBON
EMISSIONS IN THE UK



AVEBURY ECO

OVERVIEW

- Highly efficient, superior stove from our new ECO 2022 range.
- DEFRA approved for burning wood in a smoke control area.
- Cast iron construction for durability and maximum heat.
- Large, arched glass picture window.
- Airwash system maintaining an optimal view of the flames.
- Suitable for a light duty hearth.
- Ventilation not normally required (see page 75).
- Pictured on a 20mm Polished Granite Hearth with a rear flue exit.

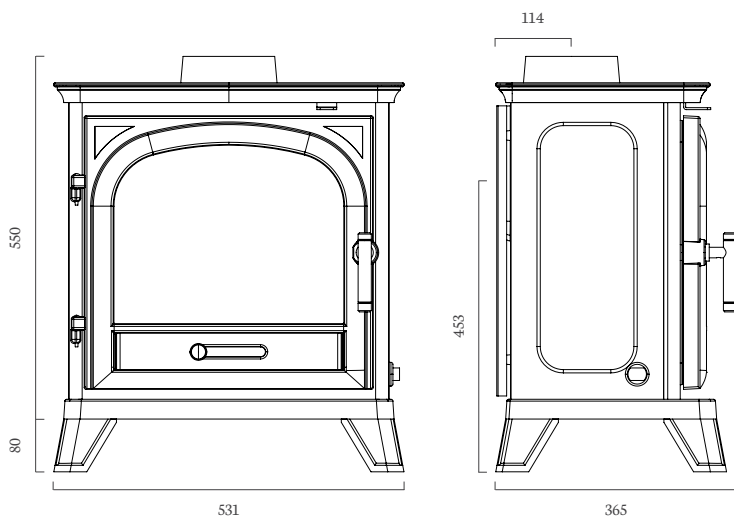
TECHNICAL SPECIFICATIONS

Fuel	Multi Fuel
Nominal Heat Output & Range	5kW (2.5-8kW)
Efficiency	Up to 84%
Flue Exit	Top or Rear
Flue Size	125mm
Clearance to Combustibles*	600mm
Clearance to Non-Combustibles*	50mm

*See installation instructions



A+



defra
MANUFACTURED BY DEFRA LIMITED

HETAS

LIFETIME
WARRANTY

ECO 2022
THE CAPITAL ECO 2022 STOVE RANGE



BARRINGTON ECO

OVERVIEW

- Highly efficient, superior stove from our new ECO 2022 range.
- DEFRA approved for burning wood in a smoke control area.
- Cast iron construction for durability and maximum heat.
- Large glass picture window.
- Airwash system maintaining an optimal view of the flames.
- Suitable for a light duty hearth.
- Ventilation not normally required (see page 75).
- Available in Black or Warm White Enamel.

TECHNICAL SPECIFICATIONS

Fuel	Multi Fuel
Nominal Heat Output & Range	5kW (2.5-8kW)
Efficiency	Up to 84%
Flue Exit	Top or Rear
Flue Size	125mm
Clearance to Combustibles*	600mm
Clearance to Non-Combustibles*	50mm

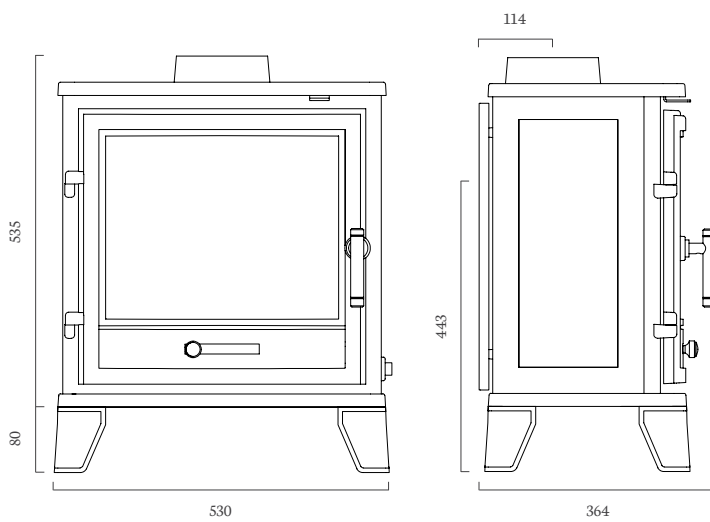
*See installation instructions

ECO 2022

REDUCING CARBON
EMISSIONS IN THE UK



A+



**LIFETIME
WARRANTY**

ECO 2022
THE CAPITAL ECO 2022 STOVE RANGE



BARRINGTON ECO SKIRTED

OVERVIEW

- Highly efficient, superior stove from our new ECO 2022 range.
- DEFRA approved for burning wood in a smoke control area.
- Cast iron construction for durability and maximum heat.
- Large glass picture window.
- Airwash system maintaining an optimal view of the flames.
- Suitable for a light duty hearth.
- Ventilation not normally required (see page 75).
- Available in Black or Warm White Enamel.

TECHNICAL SPECIFICATIONS

Fuel	Multi Fuel
Nominal Heat Output & Range	5kW (2.5-8kW)
Efficiency	Up to 84%
Flue Exit	Top or Rear
Flue Size	125mm
Clearance to Combustibles*	600mm
Clearance to Non-Combustibles*	50mm

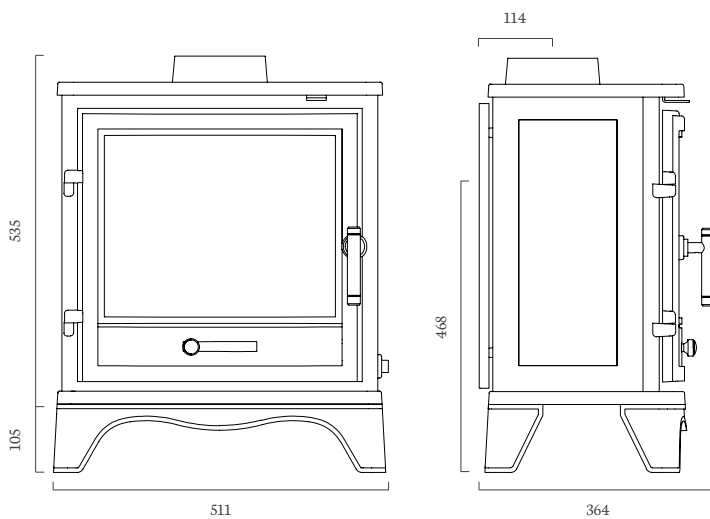
*See installation instructions

ECO 2022

REDUCING CARBON
EMISSIONS IN THE UK



A+



**LIFETIME
WARRANTY**

ECO 2022
THE CAPITAL ECO 2022 STOVE RANGE

ECO 2022

REDUCING CARBON
EMISSIONS IN THE UK



BARRINGTON ECO BASELINE

OVERVIEW

- Highly efficient, superior stove from our new ECO 2022 range.
- DEFRA approved for burning wood in a smoke control area.
- Cast iron construction for durability and maximum heat.
- Large glass picture window.
- Airwash system maintaining an optimal view of the flames.
- Pictured on a Boxed and Lipped, Slabbed Polished Granite Hearth.
- Ventilation not normally required (see page 75).
- Available in Black or Warm White Enamel.

TECHNICAL SPECIFICATIONS

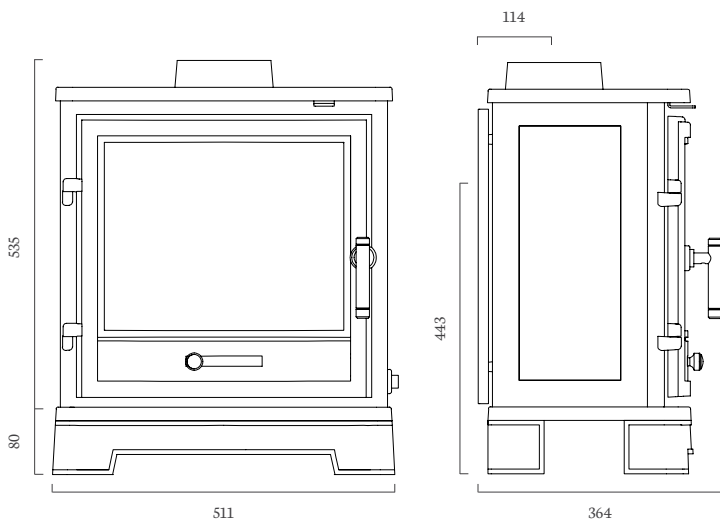
Fuel	Multi Fuel
Nominal Heat Output & Range	5kW (2.5-8kW)
Efficiency	Up to 84%
Flue Exit	Top or Rear
Flue Size	125mm
Clearance to Combustibles*	600mm
Clearance to Non-Combustibles*	50mm

*See installation instructions



PRODUCING FEWER EMISSIONS FOR A HEALTHIER AND GREENER PLANET

A+



LIFETIME WARRANTY

ECO 2022 THE CAPITAL ECO 2022 STOVE RANGE

ECO 2022

REDUCING CARBON
EMISSIONS IN THE UK



SCENE ECO

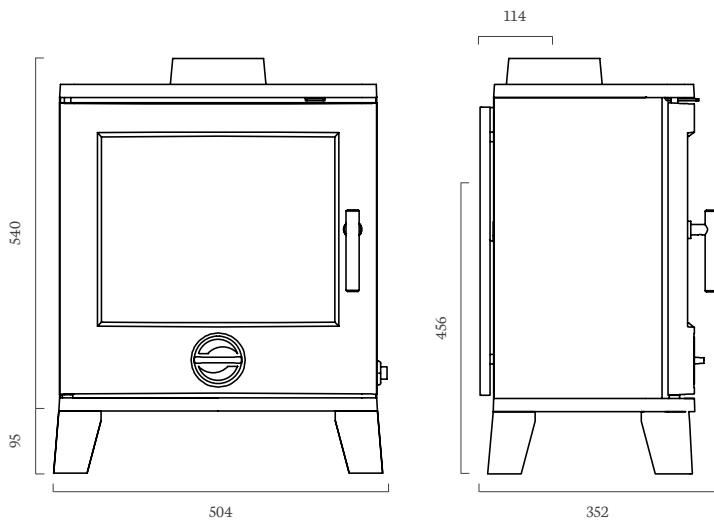
OVERVIEW

- Highly efficient, superior stove from our new ECO 2022 range.
- DEFRA approved for burning wood in a smoke control area.
- Cast iron construction for durability and maximum heat.
- Large glass picture window.
- Airwash system maintaining an optimal view of the flames.
- Suitable for a light duty hearth.
- Ventilation not normally required (see page 75).
- Pictured with the Cottage 54" Corinthian Stone Mantel and Chamber.

TECHNICAL SPECIFICATIONS

Fuel	Multi Fuel
Nominal Heat Output & Range	5kW (2.5-8kW)
Efficiency	Up to 84%
Flue Exit	Top or Rear
Flue Size	125mm
Clearance to Combustibles*	600mm
Clearance to Non-Combustibles*	50mm

*See installation instructions



defra
DESIGNED BY GREENWATER

HETAS

LIFETIME
 WARRANTY

ECO 2022
 THE CAPITAL ECO 2022 STOVE RANGE

A+

ECO 2022

REDUCING CARBON
EMISSIONS IN THE UK



SIGMA ECO

OVERVIEW

- Highly efficient, superior stove from our new ECO 2022 range.
- DEFRA approved for burning wood in a smoke control area.
- Cast iron construction for durability and maximum heat.
- Large, arched glass picture window.
- Airwash system maintaining an optimal view of the flames.
- Suitable for a light duty hearth.
- Ventilation not normally required (see page 75).
- Pictured on a 20mm Polished Granite Hearth.

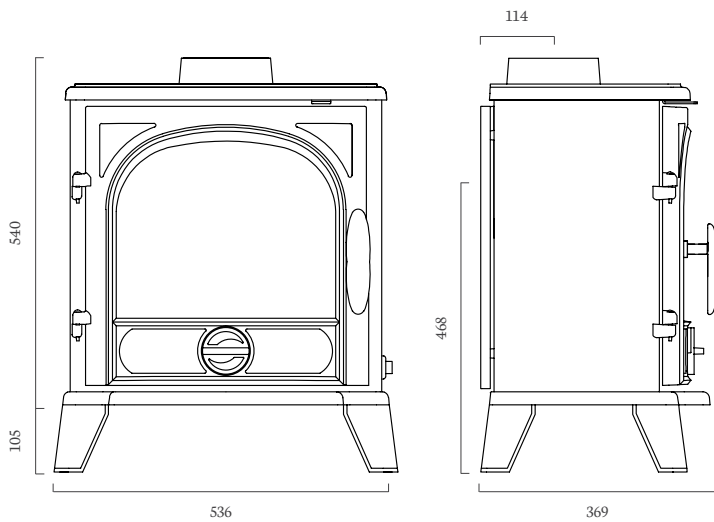
TECHNICAL SPECIFICATIONS

Fuel	Multi Fuel
Nominal Heat Output & Range	5kW (2.5-8kW)
Efficiency	Up to 84%
Flue Exit	Top or Rear
Flue Size	125mm
Clearance to Combustibles*	600mm
Clearance to Non-Combustibles*	50mm

*See installation instructions



A+



defra
DESIGNED BY GARDNERWEBB

HETAS

LIFETIME
WARRANTY

ECO 2022
THE CAPITAL ECO 2022 STOVE RANGE



VEGA EDGE 200SL ECO



**LIFETIME
WARRANTY**

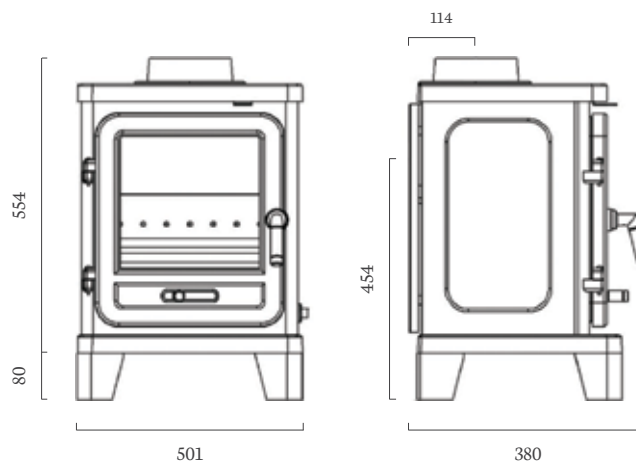
OVERVIEW

- Highly efficient, superior stove from our new ECO 2022 range.
- DEFRA approved for burning wood in a smoke control area.
- Cast iron construction for durability and maximum heat.
- Large glass picture window.
- Airwash system maintaining an optimal view of the flames.
- Ventilation not normally required (see page 75).
- Pictured to the right with a Light Oak Geocast Beam, Riven Slate Chamber and Honed Granite Hearth.

TECHNICAL SPECIFICATIONS

Fuel	Multi Fuel
Nominal Heat Output & Range	5kW (2.5-8kW)
Efficiency	Up to 84%
Flue Exit	Top or Rear
Flue Size	125mm
Clearance to Combustibles*	600mm
Clearance to Non-Combustibles*	50mm

*See installation instructions





ECO 2022

REDUCING CARBON
EMISSIONS IN THE UK



A+

PANAMERA ECO

OVERVIEW

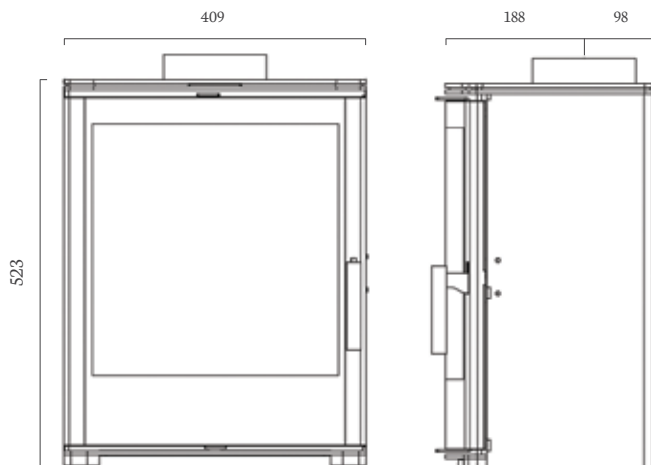
- Highly efficient, superior stove from our new ECO 2022 range.
- DEFRA approved for burning wood in a smoke control area.
- Steel construction for contemporary styling and efficient heat projection.
- Large, curved glass picture window.
- Airwash system maintaining an optimal view of the flames.
- Ventilation not normally required (see page 75).
- Pictured here with the Faro 42" Portuguese Limestone Mantel, Black Reeded Chamber and a 42" x 15" Polished Granite Hearth.

TECHNICAL SPECIFICATIONS

Fuel	Multi Fuel
Output	4.9kW
Efficiency	Up to 84%
Flue Exit	Top or Rear
Flue Size	125mm
Clearance to Combustibles	(Top/Side) 400mm/300mm
Clearance to Non-Combustibles	100mm



**LIFETIME
WARRANTY**



ECO 2022

REDUCING CARBON
EMISSIONS IN THE UK



A

ECO 2022

REDUCING CARBON
EMISSIONS IN THE UK



A

PANAMERA ECO SUPREME

OVERVIEW

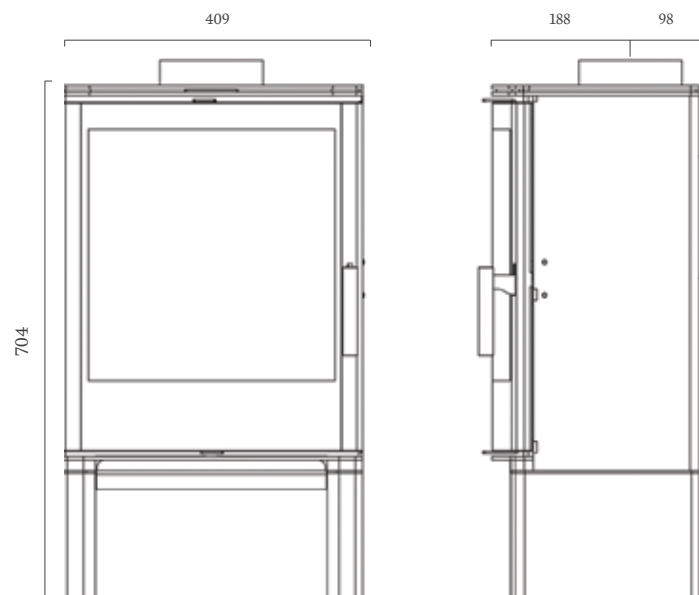
- Highly efficient, superior stove from our new ECO 2022 range.
- DEFRA approved for burning wood in a smoke control area.
- Steel construction for contemporary styling and efficient heat projection.
- Large, curved glass picture window.
- Airwash system maintaining an optimal view of the flames.
- Pictured here with a Smoked Tear Drop Glass Hearth.
- Please note logs must have a 100mm clearance to the stove.
- Ventilation not normally required (see page 75).

TECHNICAL SPECIFICATIONS

Fuel	Multi Fuel/Wood
Output	4.9kW
Efficiency	Up to 84%
Flue Exit	Top or Rear
Flue Size	125mm
Clearance to Combustibles	(Top/Side) 400mm/300mm
Clearance to Non-Combustibles	100mm



LIFETIME
WARRANTY





SAVONA ECO



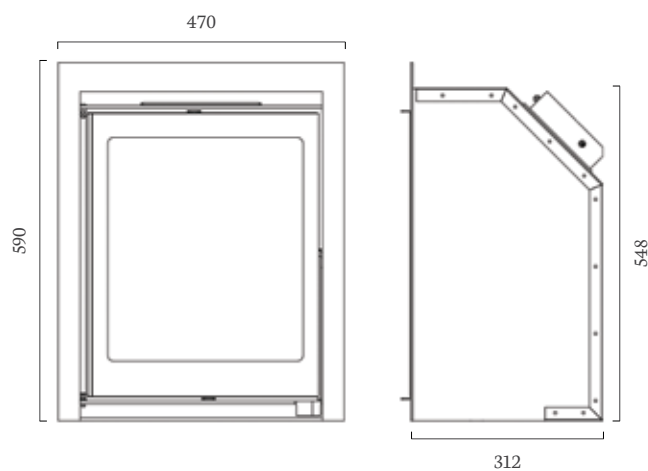
**LIFETIME
WARRANTY**

OVERVIEW

- Highly efficient, superior stove from our new ECO 2022 range.
- DEFRA approved for burning wood in a smoke control area.
- Steel construction for contemporary styling and maximum heat.
- Large glass picture window.
- Airwash system maintaining an optimal view of the flames.
- Ventilation not normally required (see page 75).
- Pictured to the right with the Wilbury 48" Portuguese Limestone Mantel and Honed Granite Slips.

TECHNICAL SPECIFICATIONS

Fuel	Multi Fuel/Wood
Output	4.9kW
Efficiency	Up to 84%
Flue Exit	Angled
Flue Size	125mm
Clearance to Combustibles	(Top/Side) 400mm/300mm



ECO 2022

REDUCING CARBON
EMISSIONS IN THE UK



CASCADA 5

OVERVIEW

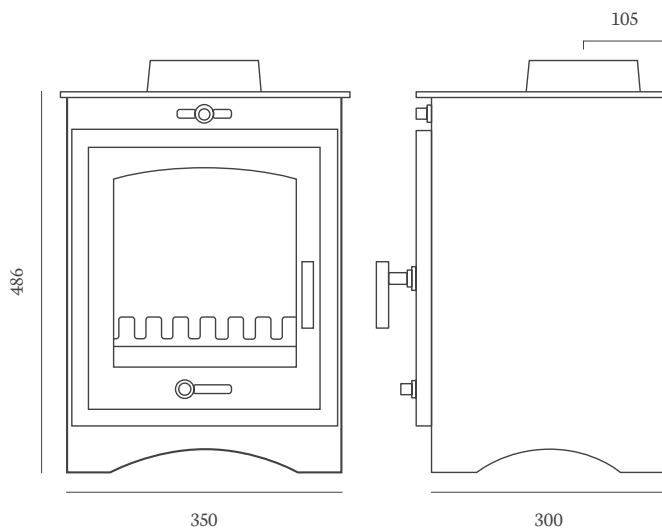
- Clean and contemporary design lines.
- DEFRA approved for burning wood and anthracite in a smoke control area.
- Steel construction for durability and heat projection.
- Ventilation not required (see page 75).
- Airwash system maintaining an optimal view of the flames.
- Pictured with the Marseilles 52" Aegean Limestone Mantel, Rusty Slate Chamber, Honed Granite Slips and Slabbed Hearth.

TECHNICAL SPECIFICATIONS

Fuel	Multi Fuel
Output	Up to 4.9kW
Efficiency	83%
Flue Exit	Top or Rear
Flue Size	125mm
Clearance to Combustibles	(Top/Side) 400mm/150mm
Clearance to Non-Combustibles	100mm



**LIFETIME
WARRANTY**





A+





ESSENCE 405

OVERVIEW

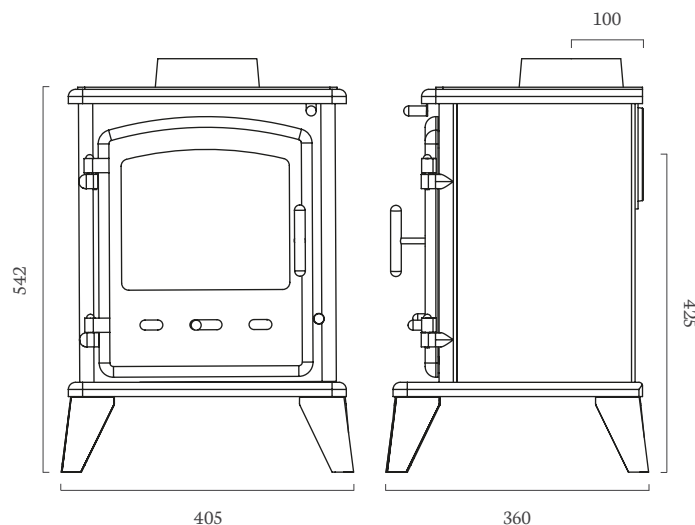
- Original versatile look created by soft lines and curves.
- DEFRA approved for burning wood and anthracite in a smoke control area.
- Cast iron construction for durability and maximum heat.
- Stove can be set for Cleanburn or standard Multi Fuel.
- Ventilation not required (see page 75).
- Airwash system maintaining an optimal view of the flames.
- Pictured with the Swinford 48" Aegean Limestone Mantel, Rustic Brick Chamber and Honed Granite, Slabbed Hearth.

TECHNICAL SPECIFICATIONS

Fuel	Multi Fuel
Output	4.9kW
Efficiency	Up to 78%
Flue Exit	Top or Rear
Flue Size	125mm
Clearance to Combustibles	450mm
Clearance to Non-Combustibles	100mm



**LIFETIME
WARRANTY**



A

IMPERIAL 405

OVERVIEW

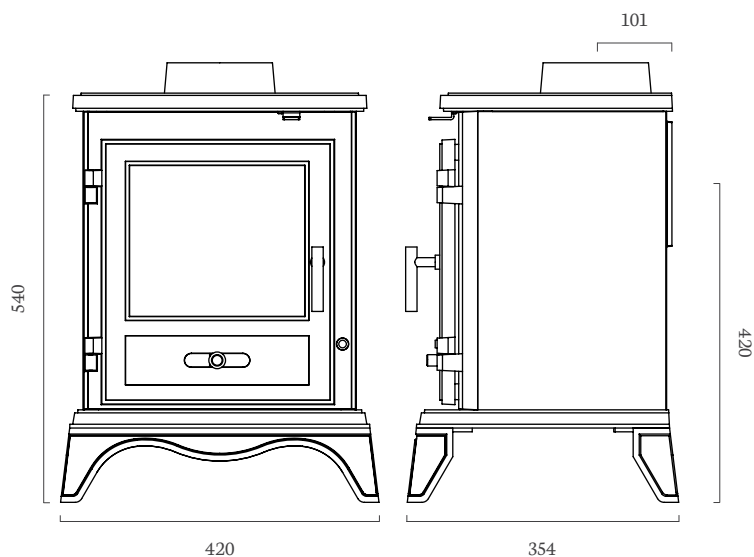
- Cast iron construction for durability and maximum heat.
- DEFRA approved for burning wood and anthracite in a smoke control area.
- Ventilation not required (see page 75).
- Airwash system maintaining an optimal view of the flames.
- Stove can be set for Cleanburn or standard Multi Fuel.
- Pictured with the Swinford 48" Portuguese Limestone Mantel, Rustic Herringbone Brick Chamber and Honed Granite Hearth.

TECHNICAL SPECIFICATIONS

Fuel	Multi Fuel
Output	4.9kW
Efficiency	78%
Flue Exit	Top or Rear
Flue Size	125mm
Clearance to Combustibles	450mm
Clearance to Non-Combustibles	100mm



**LIFETIME
WARRANTY**





A

PRINCIPAL 405

OVERVIEW

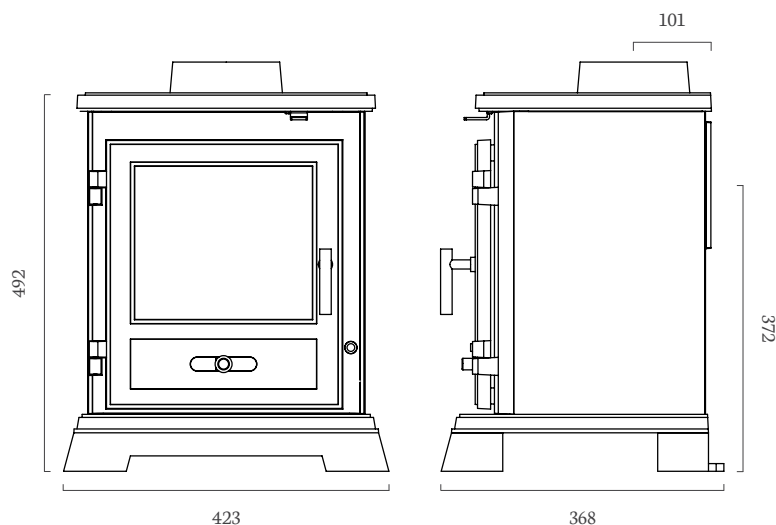
- Cast iron construction for durability and maximum heat.
- DEFRA approved for burning wood and anthracite in a smoke control area.
- Ventilation not required (see page 75).
- Airwash system maintaining an optimal view of the flames.
- Stove can be set for Cleanburn or standard Multi Fuel.
- Pictured with the Lingwood 51" Aegean Limestone Mantel, Pompeii Brick Chamber and a Honed Granite, Slabbed Hearth.

TECHNICAL SPECIFICATIONS

Fuel	Multi Fuel
Output	4.9kW
Efficiency	78%
Flue Exit	Top or Rear
Flue Size	125mm
Clearance to Combustibles	450mm
Clearance to Non-Combustibles	100mm



**LIFETIME
WARRANTY**





A





QUADRICAL 405

OVERVIEW

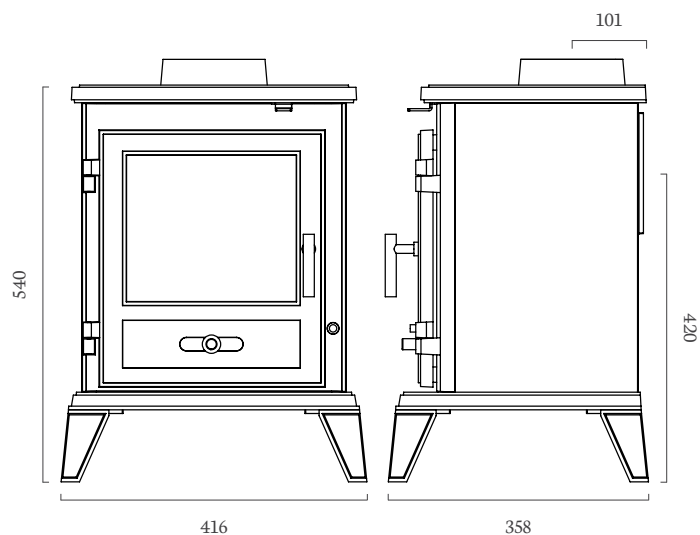
- Classic style with clean lines and angular features.
- Cast iron construction for durability and maximum heat.
- DEFRA approved for burning wood and anthracite in a smoke control area.
- Stove can be set for Cleanburn or standard Multi Fuel.
- Ventilation not required (see page 75).
- Airwash system maintaining an optimal view of the flames.
- Pictured in an original brick fireplace with a Honed Granite Hearth.

TECHNICAL SPECIFICATIONS

Fuel	Multi Fuel
Output	4.9kW
Efficiency	78%
Flue Exit	Top or Rear
Flue Size	125mm
Clearance to Combustibles	450mm
Clearance to Non-Combustibles	100mm



**LIFETIME
WARRANTY**



A

TRADITIONAL

OVERVIEW

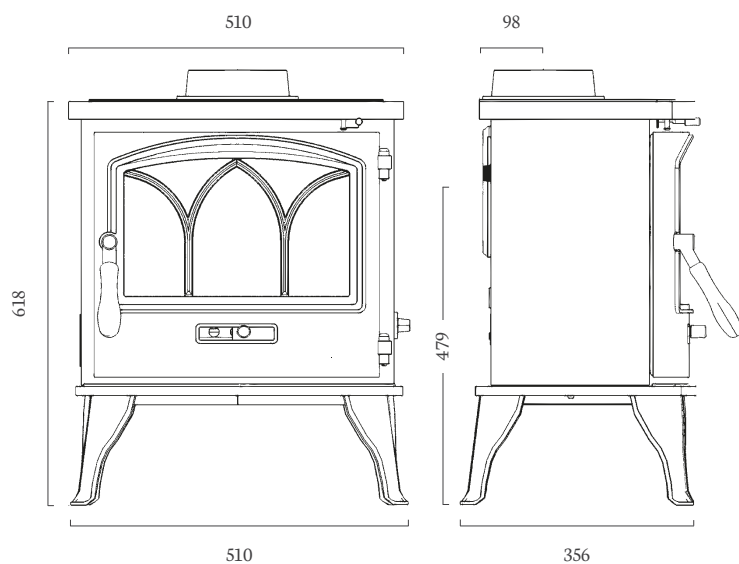
- Traditional characteristics for a time honoured look.
- DEFRA approved for burning wood in a smoke control area.
- Ventilation not required (see page 75).
- Airwash system maintaining an optimal view of the flames.
- Available with optional door lattice and petite legs.
- Can be used on a 12mm light duty hearth (standard legs only).
- Pictured with a Dark Oak Geocast Beam and Rainbow Brick Chamber.

TECHNICAL SPECIFICATIONS

Fuel	Multi Fuel
Output	5kW
Efficiency	74%
Flue Exit	Top or Rear
Flue Size	125mm
Clearance to Combustibles	300mm
Clearance to Non-Combustibles	100mm



LIFETIME
WARRANTY





A

CONTOUR LOG STORE

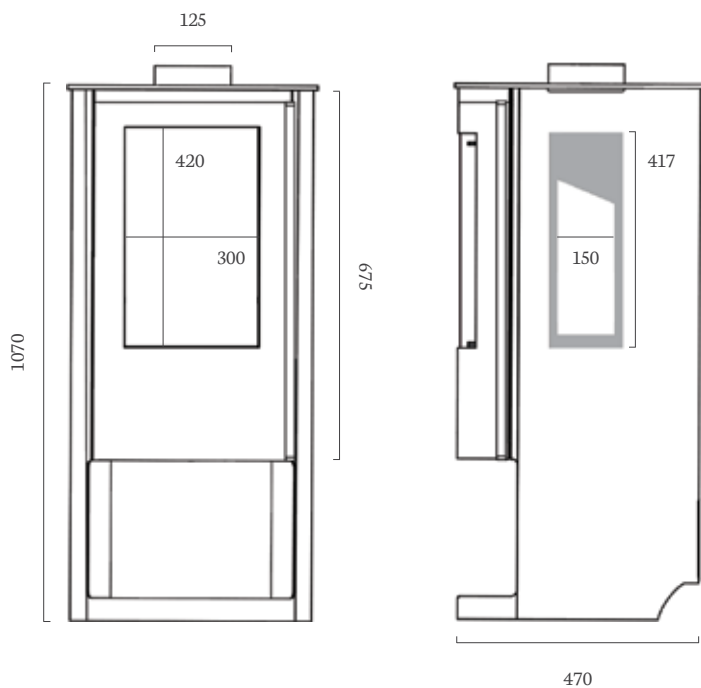
OVERVIEW

- Self-close cast iron door providing excellent heat retention.
- Panoramic curved glass window.
- Double glazed side windows (optional) with seperate air wash.
- Sleek air management system features two air controllers discreetly positioned at the bottom of the door.
- Body of the stove is protected with a 10 Year Warranty.
- Suitable for a 12mm light duty hearth.

TECHNICAL SPECIFICATIONS

Fuel	Multi Fuel
Output	4.9kW
Efficiency	Up to 77.7%
Flue Exit	Top
Flue Size	125mm
Clearance to Combustibles with Side Windows	(Rear/Side) 75/500mm
Clearance to Combustibles without Side Windows	(Rear/Side) 75/300mm
Clearance to Non-Combustibles*	75mm

*See installation instructions





A+

CONTOUR PEDESTAL

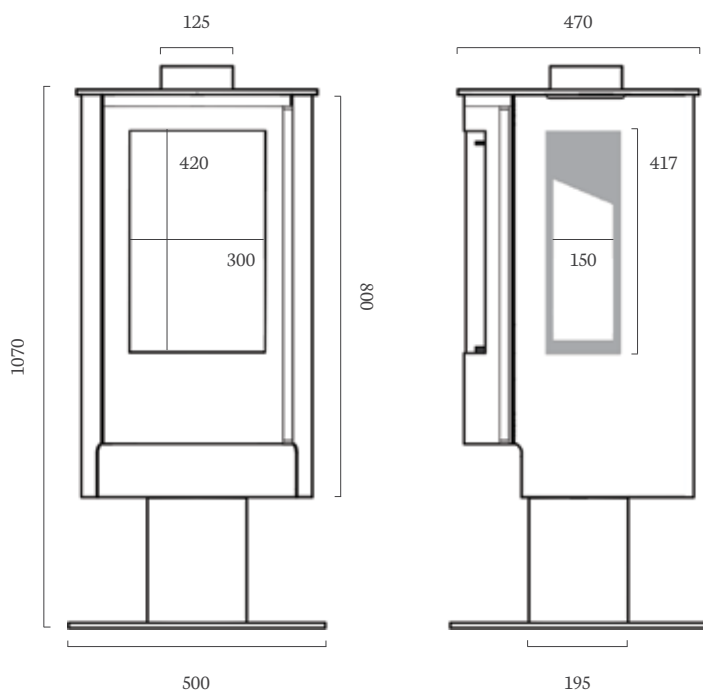
OVERVIEW

- Self-close cast iron door providing excellent heat retention.
- Panoramic curved glass window.
- Double glazed side windows (optional) with seperate air wash.
- Sleek air management system features two air controllers discreetly positioned at the bottom of the door.
- Body of the stove is protected with a 10 Year Warranty.
- Suitable for a 12mm light duty hearth.

TECHNICAL SPECIFICATIONS

Fuel	Multi Fuel
Output	4.9kW
Efficiency	Up to 77.7%
Flue Exit	Top
Flue Size	125mm
Clearance to Combustibles with Side Windows	(Rear/Side) 75/500mm
Clearance to Combustibles without Side Windows	(Rear/Side) 75/300mm
Clearance to Non-Combustibles*	75mm

*See installation instructions





A+

CONTOUR MIDI

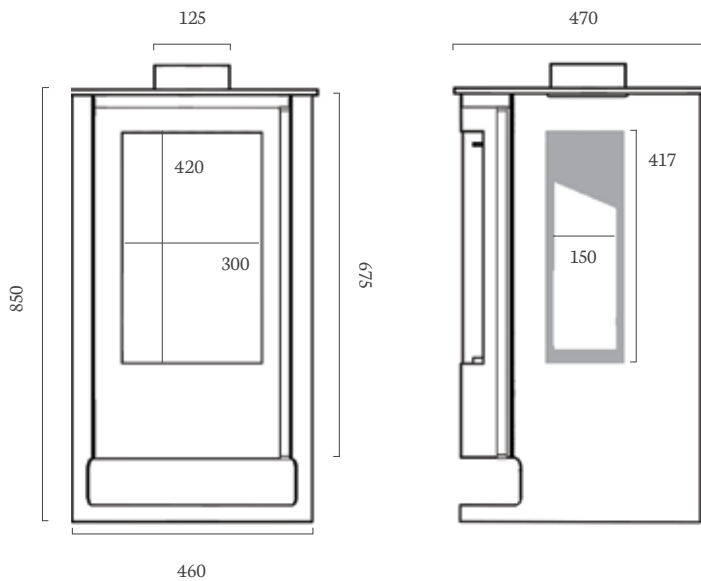
OVERVIEW

- Self-close cast iron door providing excellent heat retention.
- Panoramic curved glass window.
- Double glazed side windows (optional) with separate air wash.
- Sleek air management system features two air controllers discreetly positioned at the bottom of the door.
- Body of the stove is protected with a 10 Year Warranty.
- Suitable for a 12mm light duty hearth.

TECHNICAL SPECIFICATIONS

Fuel	Multi Fuel
Output	4.9kW
Efficiency	Up to 77.7%
Flue Exit	Top
Flue Size	125mm
Clearance to Combustibles with Side Windows	(Rear/Side) 75/500mm
Clearance to Combustibles without Side Windows	(Rear/Side) 75/300mm
Clearance to Non-Combustibles*	75mm

*See installation instructions





A+



AQUILA 450



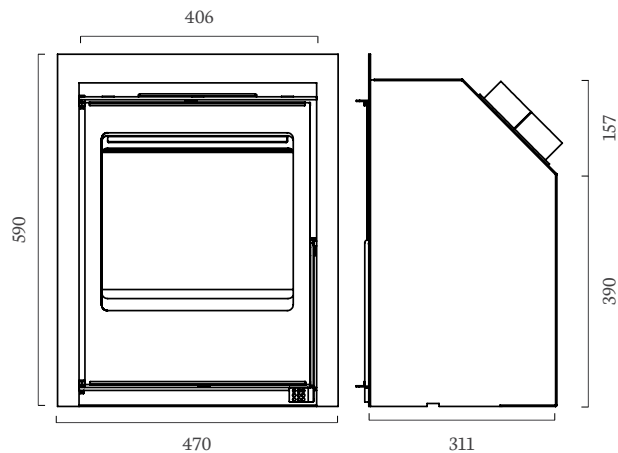
**LIFETIME
WARRANTY**

OVERVIEW

- DEFRA approved for burning wood or anthracite in a smoke control area.
- Ventilation not required (see page 75).
- Airwash system maintaining an optimal view of the flames.
- Steel construction for contemporary styling and efficient heat projection.
- Pictured with the Olvera 48" Corinthian Stone Surround, Honed Granite Slips and above with Corinthian Stone Tiles.

TECHNICAL SPECIFICATIONS

Fuel	Multi Fuel
Output	4.9kW
Efficiency	81%
Flue Exit	Angled
Flue Size	125mm
Clearance to Combustibles	(Top/Side) 400mm/150mm





A+

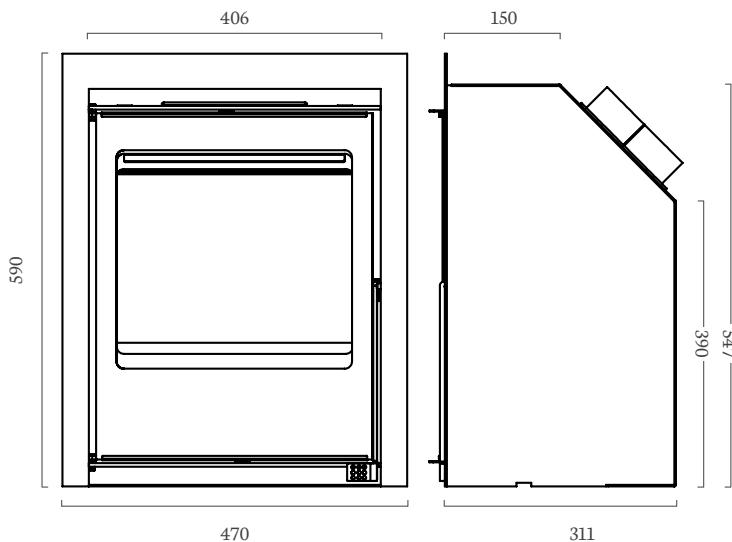
CASCADA INSET

OVERVIEW

- Traditional styling and sleek design features.
- DEFRA approved for burning wood or anthracite in a smoke control area.
- Ventilation not required (see page 75).
- Airwash system maintaining an optimal view of the flames.
- Available with optional door lattice kit.
- Pictured with the Parrona 48” Portuguese Limestone Mantel, Honed Granite Slips and Boxed and Lipped, Slabbed Hearth.

TECHNICAL SPECIFICATIONS

Fuel	Multi Fuel
Output	4.9kW
Efficiency	81%
Flue Exit	Angled
Flue Size	125mm
Clearance to Combustibles	(Top/Sides) 400/150mm





A+

SIERRA INSET

OVERVIEW

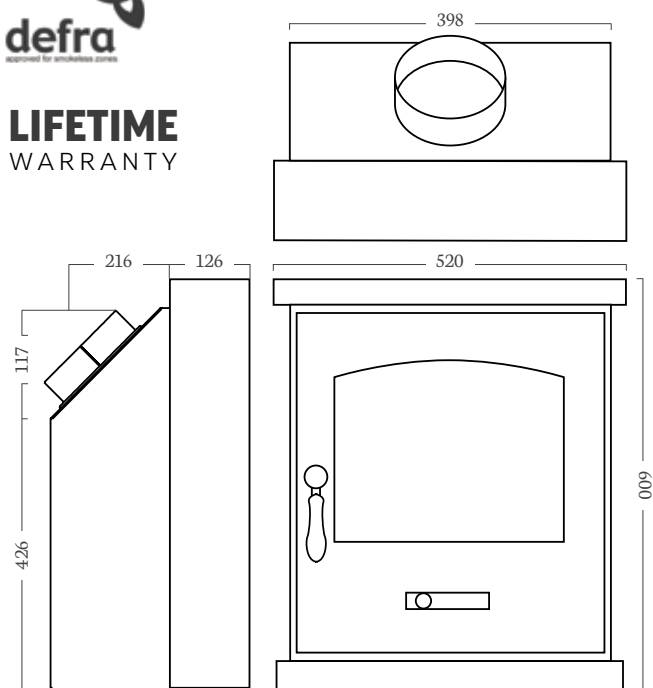
- Traditional styling with sleek design features and cast iron door.
- DEFRA approved for burning wood in a smoke control area.
- Ventilation not required (see page 75).
- Airwash system maintaining an optimal view of the flames.
- Available with optional door lattice.
- Pictured with the Faro 48" Portuguese Limestone Mantel, Honed Granite Slips and Boxed and Lipped, Slabbed Hearth.

TECHNICAL SPECIFICATIONS

Fuel	Multi Fuel
Output	4.9kW
Efficiency	82%
Flue Exit	Angled
Flue Size	125 mm (Adaptor required when connecting to flue liner)
Clearance to Combustibles	(Top/Sides) 300/150mm



**LIFETIME
WARRANTY**





A+



TUCANA 600 INSET



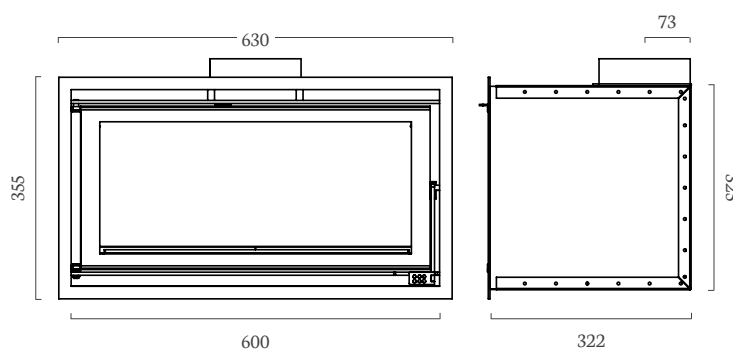
**LIFETIME
WARRANTY**

OVERVIEW

- Contemporary styling and sleek design features.
- Steel construction for contemporary styling and maximum heat.
- DEFRA approved for burning wood in a smoke control area.
- Airwash system maintaining an optimal view of the flames.
- Ventilation not required (see page 75).
- Pictured to the right with a Panoramic Steel Trim and above with a Quadrant Trim inside a Catarina 700 Corinthian Stone Special Suite.

TECHNICAL SPECIFICATIONS

Fuel	Wood
Output	4.9kW
Efficiency	76%
Flue Exit	Top
Flue Size	125mm
Clearance to Combustibles	(Top/Side) 750mm/112mm





A

TRADITIONAL GAS

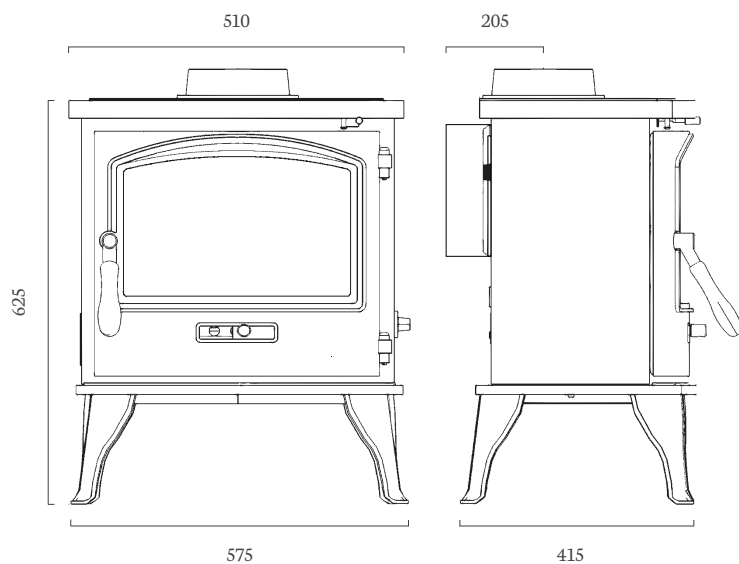
OVERVIEW

- Traditional characteristics for a time honoured look.
- Cast iron construction for durability and maximum heat.
- Ventilation not normally required.
- Manual or remote control options.
- Beautiful log effect fuel bed.
- Pictured with the Kensington Corinthian Stone Surround, Cobbled Red 4 Piece Brick Chamber and Polished Granite Hearth.



TECHNICAL SPECIFICATIONS

Fuel	Natural Gas
Output	4.7kW
Efficiency	69%
Flue Exit	Top
Flue Size	125mm
Clearance to Combustibles	(Top/Sides) 600/300mm
Clearance to Non-Combustibles	100mm





E (M)

D (R)

VEGA B7/C7

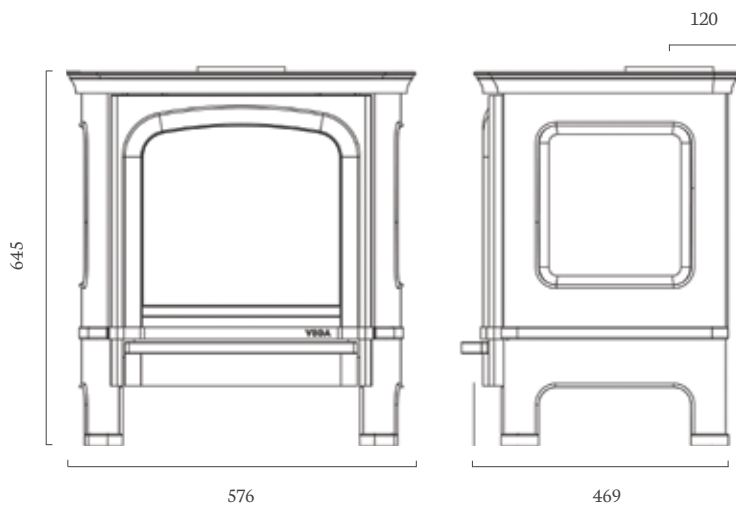
OVERVIEW

- Balanced flue option for those without a chimney.
- Manufactured in high quality cast iron.
- Suitable for a 12mm light duty hearth.
- Responsively controlled from the comfort of your armchair.
- High definition ceramic logs creating a truly authentic look.
- Standard up and out flue kit also available as an optional extra.
- Pictured with a Geocast Light Oak Beam and Red Brick Chamber.



TECHNICAL SPECIFICATIONS

Fuel	Natural Gas or LPG
Output	(BF) 5.4kW / (CF) 4.2kW
Efficiency	(BF) Up to 75% / (CF) Up to 69%
Flue Exit	Top
Flue Size	(BF)150mm/(CF) 100mm
Clearance to Combustibles	280mm
Clearance to Non-Combustibles	75mm





B (B7)

D (C7)

CURVATION TALL

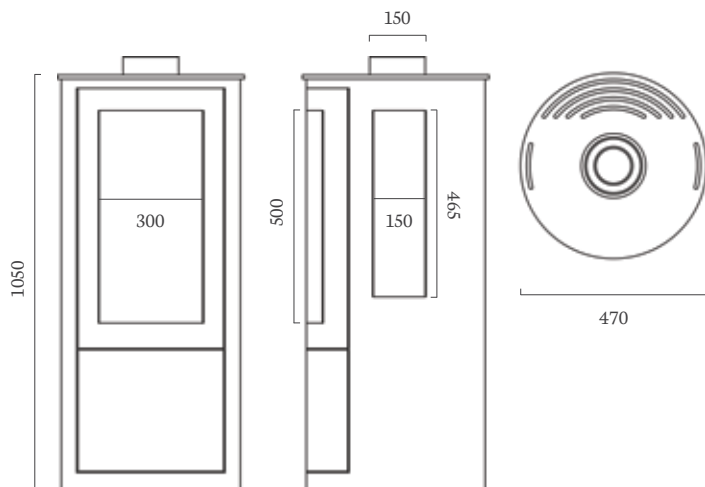
OVERVIEW

- Curved glass picture window providing a panoramic view of the flames.
- Double burner technology for a variable flame picture.
- Low running costs, high efficiency, clean, odourless and easy to use.
- Symax System remote control.
- Double glazed side windows (optional).
- Suitable for a 12mm light duty hearth.



TECHNICAL SPECIFICATIONS

Fuel	Natural Gas or LPG
Output	5.5kW
Efficiency	83%
Flue Exit	Top Exit
Flue Size	150mm
Control	Remote
Clearance to Combustibles (with side windows)	(Rear/Side) 75/500mm
Clearance to Combustibles (without side windows)	(Rear/Side) 75/300mm
Clearance to Non-Combustibles	(Rear/Side) 50/50mm





A

CURVATION PEDESTAL

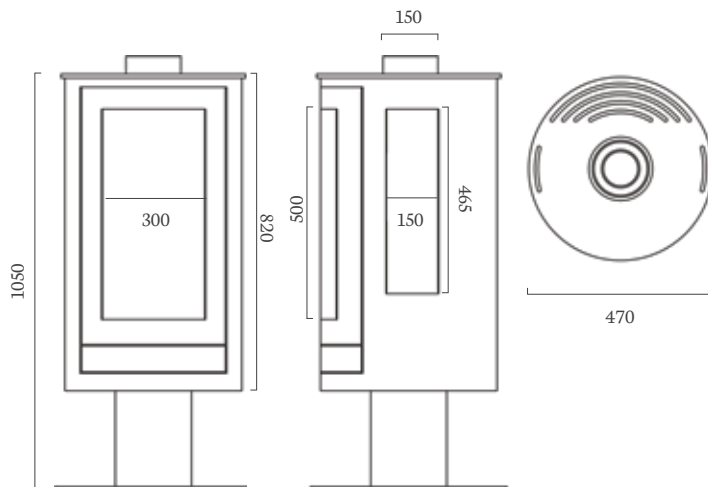
OVERVIEW

- Curved glass picture window providing a panoramic view of the flames.
- Double burner technology for a variable flame picture.
- Low running costs, high efficiency, clean, odourless and easy to use.
- Symax System remote control.
- Double glazed side windows (optional).
- Suitable for a 12mm light duty hearth.



TECHNICAL SPECIFICATIONS

Fuel	Natural Gas or LPG
Output	5.5kW
Efficiency	83%
Flue Exit	Top Exit
Flue Size	150mm
Control	Remote
Clearance to Combustibles (with side windows)	(Rear/Side) 75/500mm
Clearance to Combustibles (without side windows)	(Rear/Side) 75/300mm
Clearance to Non-Combustibles	(Rear/Side) 50/50mm





A

CURVATION MIDI

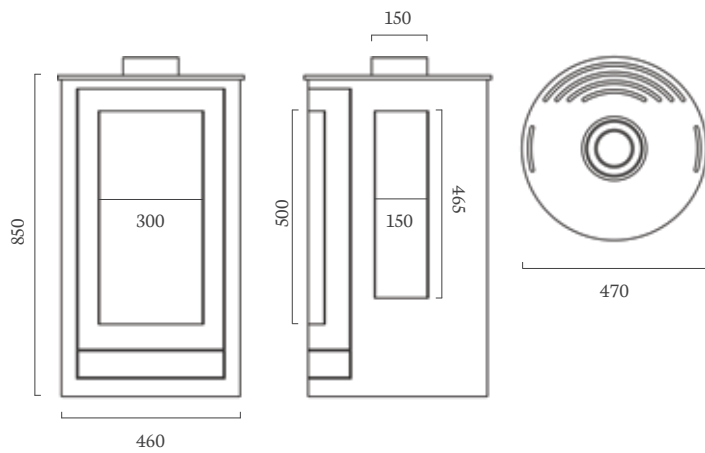
OVERVIEW

- Curved glass picture window providing a panoramic view of the flames.
- Double burner technology for a variable flame picture.
- Low running costs, high efficiency, clean, odourless and easy to use.
- Symax System remote control.
- Double glazed side windows (optional).
- Suitable for a 12mm light duty hearth.



TECHNICAL SPECIFICATIONS

Fuel	Natural Gas or LPG
Output	5.5kW
Efficiency	83%
Flue Exit	Top Exit
Flue Size	150mm
Control	Remote
Clearance to Combustibles (with side windows)	(Rear/Side) 75/500mm
Clearance to Combustibles (without side windows)	(Rear/Side) 75/300mm
Clearance to Non-Combustibles	(Rear/Side) 50/50mm





A





SIESTA TALL

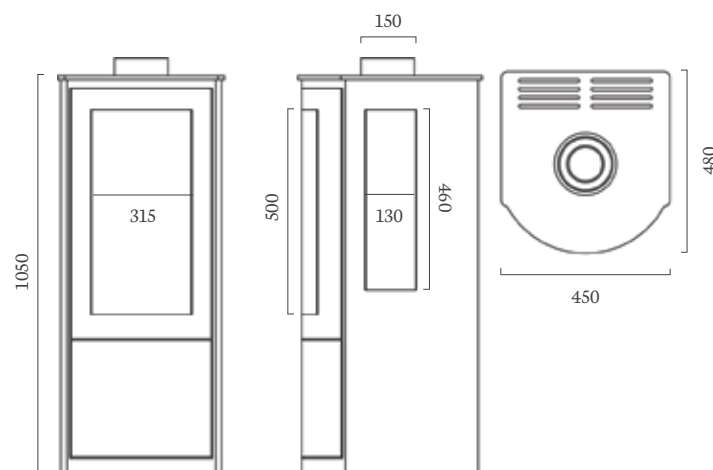
OVERVIEW

- Curved glass picture window providing a panoramic view of the flames.
- Double burner technology for a variable flame picture.
- Low running costs, high efficiency, clean, odourless and easy to use.
- Symax System remote control.
- Double glazed side windows (optional).
- Suitable for a 12mm light duty hearth.



TECHNICAL SPECIFICATIONS

Fuel	Natural Gas or LPG
Output	5.5kW
Efficiency	83%
Flue Exit	Top Exit
Flue Size	150mm
Control	Remote
Clearance to Combustibles (with side windows)	(Rear/Side) 75/500mm
Clearance to Combustibles (without side windows)	(Rear/Side) 75/300mm
Clearance to Non-Combustibles	(Rear/Side) 50/50mm



CURVATION ELECTRIC

OVERVIEW

- Superb natural flame pattern.
- Does not require a flue or chimney.
- Freedom to place anywhere in your home.
- Fully remote controlled with variable heating settings.
- Easy installation.
- Suitable for a 12mm light duty hearth.



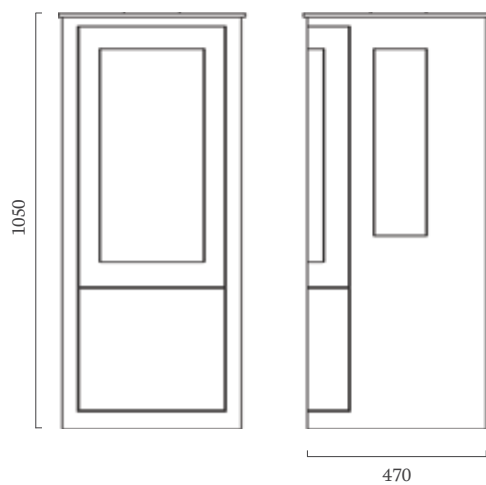
TECHNICAL SPECIFICATIONS

Power Type

Mains Electric

Output

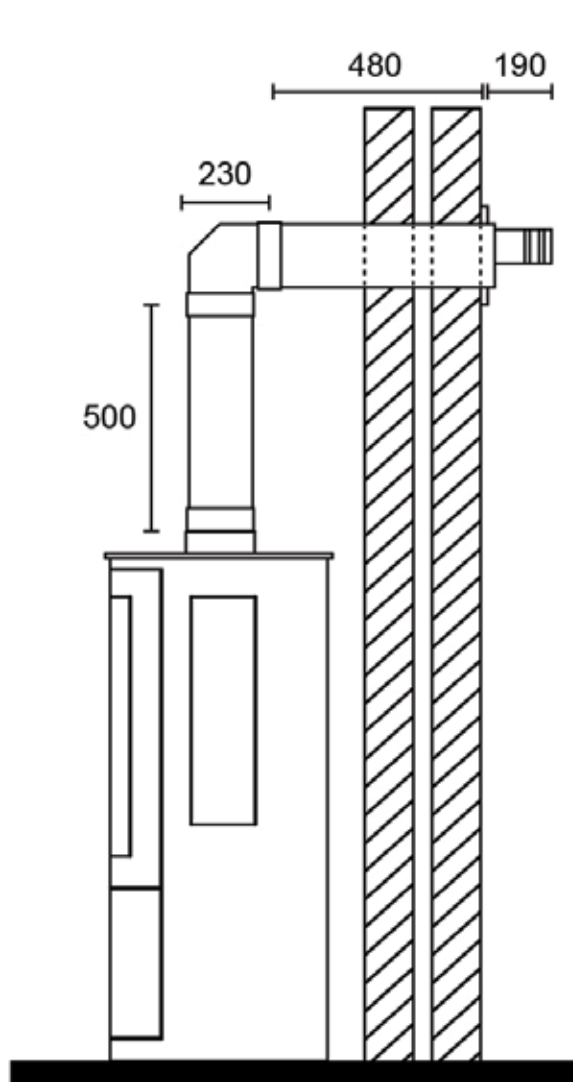
1-2kW Variable





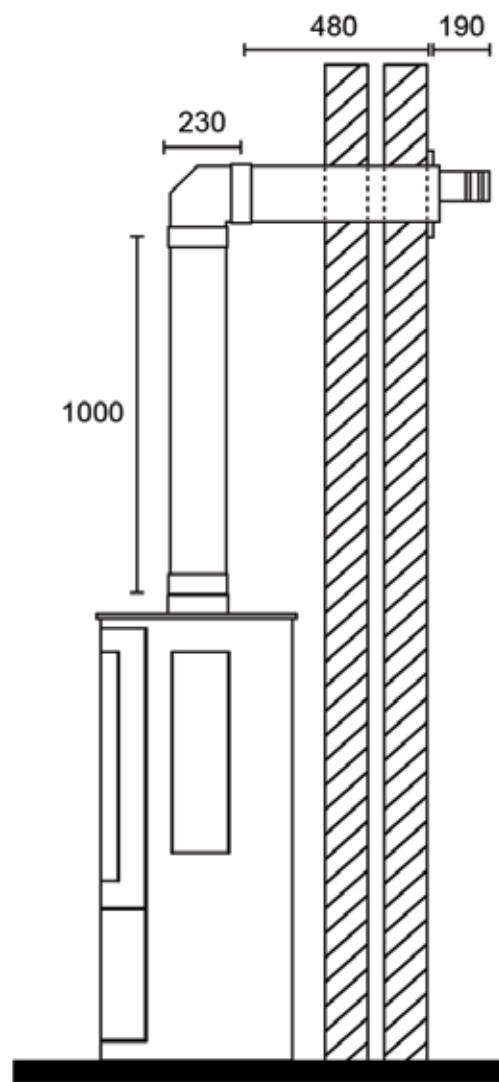
BALANCED FLUE KITS

The below balanced flue kits are available to purchase as an optional extra for the Curvation and Siesta Balanced Flue Gas Stoves.



KIT 1 CONTAINS:

1x 500mm length, 1x 90° elbow, 2x smooth locking bands,
1x 100/150 horizontal terminal (raincap end).

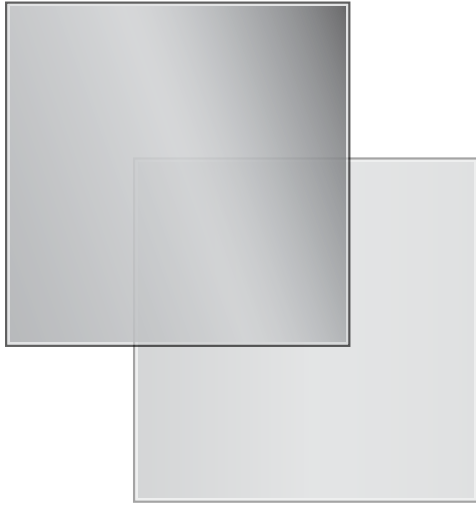


KIT 2 CONTAINS:

1x 1000mm length, 1x 90° elbow, 2x smooth locking bands,
1x 100/150 horizontal terminal (raincap end).

GLASS HEARTHES

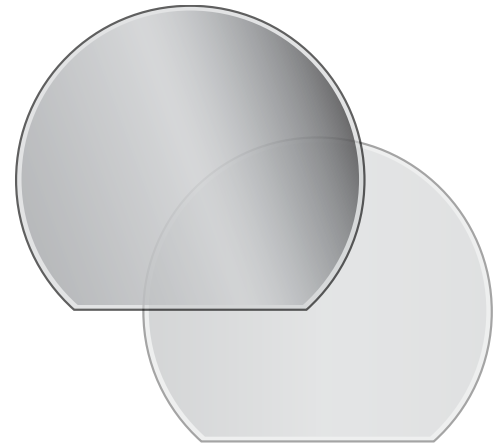
Our high quality, light duty 12mm thick tempered glass hearths are a contemporary alternative to complement our stove range, available in six shapes with an option of Smoked or Transparent finishes.



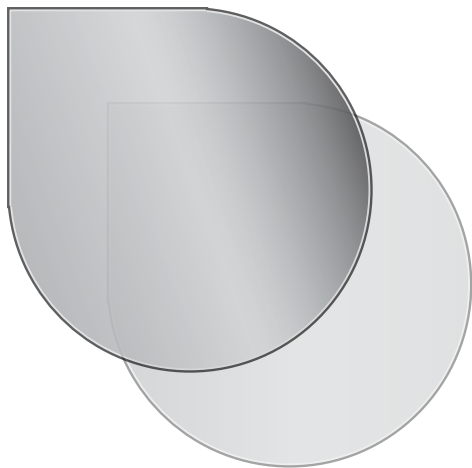
SQUARE
900MM X 900MM



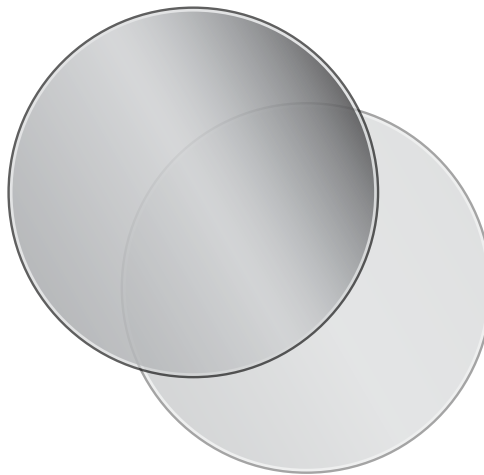
SEMI CIRCLE
1100MM X 850MM



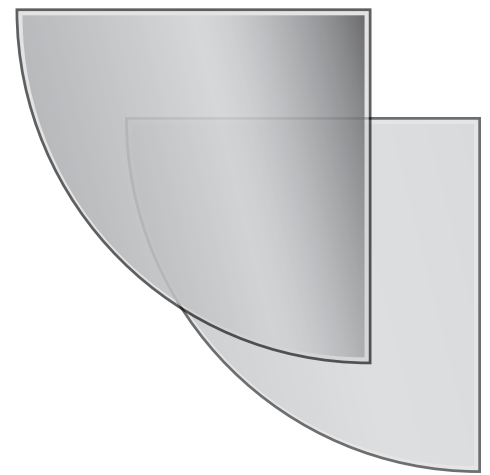
TRUNCATED
1100MM X 950MM



TEARDROP
1100MM X 1100MM



CIRCULAR
1100MM



¼ CIRCLE
1200MM

STOVE CHAMBERS





RIVEN SLATE



RUSTY SLATE



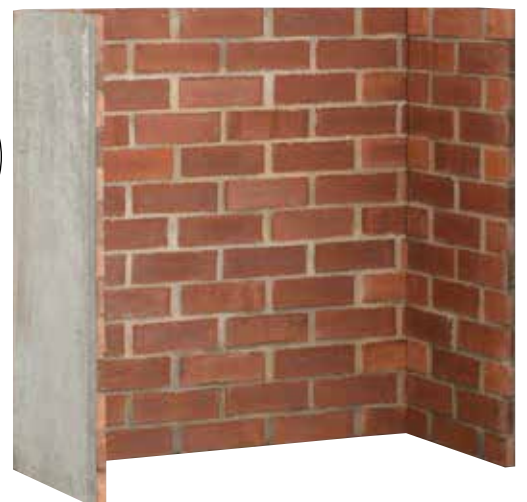
CORINTHIAN STONE



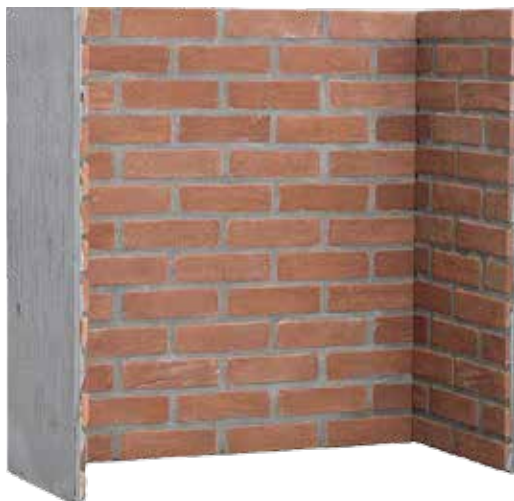
POMPEII



RUSTIC HERRINGBONE



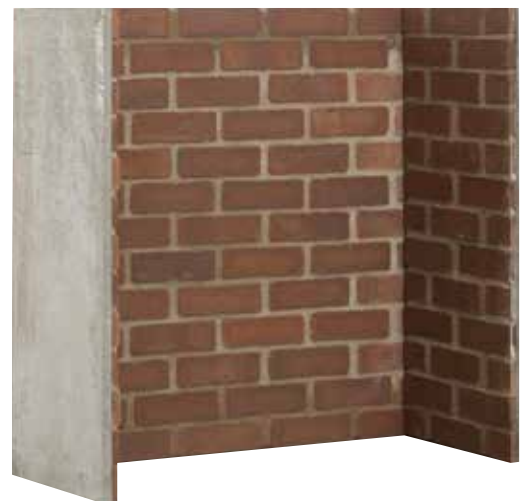
COBBLED RED



RED



RAINBOW



RUSTIC

Made to Measure Chambers on request: slabbed, with returns and arches available (see page 53).

Dimensions: 1x (1015 w x 1000 h x 35 thick) 2x (450 w x 1000 h x 35 thick)

Dimensions 4 Piece Chamber: 1x (950 w x 920 h x 37 thick) 2x (450 w x 920 h x 70 thick)

Side Returns: 97mm (also on 3 Piece), Arch Height (Opening) Min 760mm - Max 810mm

Minimum clearance distance apply. Visit www.capitalfireplaces.co.uk for instructions, please note brick colours may vary.

GEOCAST BEAMS



DARK OAK



LIGHT OAK



NON-COMBUSTIBLE

Our non-combustible oak effect Geocast Beams have been developed from a natural inorganic material. Whilst being non-toxic and unburnable, they are extremely durable and can be molded to achieve high definition. Although the minimum clearance distance to the stove and flue pipe still applies, our Geocast Beams allow that distance to be much closer than wood.

AVAILABLE IN THE FOLLOWING SIZES (MM):

36" (917 wide x 140 high x 105 deep)

48" (1220 wide x 140 high x 105 deep)

54" (1370 wide x 140 high x 105 deep)



AMBIENT LIGHTS

AMBIENT LIGHTING

Ambient lighting not only helps create a warmer impression in your home, it also gives more focus to the fire. The lighting kit can be operated separately to the stove, meaning you're able to maintain a cosy ambience with or without the stove being lit. Please note this option is only available with a 48" and 54" beam.

STOVE PACKAGES

Capital's range of Stove Packages offer fantastic value for money. Each package includes the main components required to create that warm and inviting feature in your room, with many allowing extra choice to tailor the final appearance. Ask your local Capital dealer for further information.





ASK YOUR
RETAILER
ABOUT THESE
AMAZING
OFFERS

PACKAGE 3

Any ECO 2022 Black Stove, Cascada 5 Free Standing,
Principal, Imperial, Quadrical or Essence Stove
Any Geocast Unlit Beam
Any Standard Brick Chamber
Any 48" or 54" Granite, Slabbed Hearth
Any 38" x 15" Granite Back Hearth
1m of 5" Vitreous Flue (No Door)



PACKAGE 4

Olvera 48" Corinthian Stone Mantel
 Aquila or Cascada Multi Fuel Inset Stove
 Quadrant 3 Sided Trim
 Any Granite Inset Slip Set
 Any 48" x 15" Slabbed, Granite Hearth

ASK YOUR
 RETAILER
 ABOUT THESE
 AMAZING
 OFFERS



PACKAGE 5

Hersham 48" Mantel (1" or 3" Rebate) in
 Aegean Limestone or Corinthian Stone
 Any Standard Brick Chamber
 Any ECO 2022 Black Stove, Cascada
 5 Free Standing, Principal, Imperial,
 Quadrical or Essence Stove
 Any 48" x 15" Granite, Slabbed Hearth
 Any 38" x 15" Granite Back Hearth
 1m of 5" Vitreous Flue (No Door)

THE CAPITAL STOVES LIFETIME WARRANTY

All Capital Stoves are covered by a Lifetime Warranty for added peace of mind (valid for original purchases only) from date of sale. This Warranty excludes the following naturally wearing consumable items; door glass, firebricks, rope seals, baffle and grate (including riddling mechanism).

In addition, the following criteria must be met:

- Sight of the data plate that should have been fitted by the approved installer.
- Proof of installation by HETAS or other approved body, or letter from Building Control confirming that the installation was installed in accordance with the Building Regulations.
- Proof of purchase from one of our approved suppliers.
- Proof of annual sweeping of chimney, at which time an inspection as to the condition of the chimney should be carried out to allow for necessary maintenance to be performed.

The use of unauthorised fuels such as petro-cokes will also invalidate the Warranty.

Capital Fireplaces Ltd will accept no responsibility for installations which have been carried out that are not in accordance to the Building Regulations or if the conditions stated in the manufacturer's instructions are not adhered to. Warranty applies to parts only.



STOVE VENTILATION

HOUSES BUILT BEFORE 2008

Houses built before 2008 are likely to have an air permeability greater than $5\text{m}^3/\text{h.m}^2$ so stoves with an output below 5kW do not require an air vent. However, stoves with outputs above 5kW require a permanently open vent. So for each kW of output above 5kW allow 550mm^2 of air supply. Extensive renovation of an older property carried out after 2008 may reduce the air permeability to less than 5m^3 , in which case the guidance for houses built after 2008 should be followed. Chimneys with flue stabilisers are subject to different ventilation requirements.

HOUSES BUILT AFTER 2008

Houses built after 2008 with an air permeability of less than $5\text{m}^3/\text{h.m}^2$ require the air supply to be calculated for the whole of the stove's rated output. This means that the installation of stoves with an output of less than 5kW must now have a permanently open air vent. Allow 550mm^2 of air supply for each kilowatt of rated output. Seek advice from your retailer and building regulator.



CLEANBURN STOVES

To burn fuel in a smoke controlled area the law determines that either the fuel should be smokeless or the appliance should be approved by DEFRA (The Department for Environment, Food and Rural Affairs) normally these appliances are approved by DEFRA for burning kiln dried wood. Some of our DEFRA approved products are capable of burning both kiln dried wood and anthracite in smoke control areas, a dual fuel use that most cleanburn products cannot offer.

All Capital Stoves are manufactured from cast iron or steel therefore it is vital that appliances undergo a period of "burning in", this involves small fires initially, gradually increasing in size with each firing. If this process is adhered to you should experience years of enjoyable, trouble free use.

All Capital Stoves are CE approved to EN13240. Please note many of the flue pipes shown in this brochure have been sprayed with one of Capital Fireplaces high temperature paints to match the finish of the stove.



IMPORTANT POINTS

- Always read user instructions prior to initially using the stove.
- We recommend burning kiln dried wood, this will give you up to twice the heat output of freshly felled timber and helps reduce tar build up in the flue.
- Do not overload the stove at any one time.
- Never burn household rubbish as this can give off harmful gasses and will reduce the performance of the stove.



www.capitalfireplaces.co.uk