



Riva2 & Eclipse | Gas Fires



Riva2 750HL with Fluted Vermiculite lining and Victorian Corbel Mantel and Hearth in Limestone with matching slip sets

A Warm Welcome

Nothing creates an inviting atmosphere quite like a Gazco fire. The focal point of any home, they add warmth and character to a room or living space – with or without a chimney.

Whether you want an up-to-the-minute, contemporary look or have your heart set on a more traditional fireplace, the Riva2 and Eclipse fires offer stunning flame visuals and versatile styling options, instantly creating an eye-catching centrepiece to your interior.

GAZCO
Fire Your Imagination

Riva2 Fires (page 6)

Riva2 400 10



Riva2 Styling Options 8

Riva2 400 Edge 12

Riva2 400 Evoke XS 14

Riva2 400 Icon XS 16

Riva2 400 Verve XS 18

Riva2 500 & 750HL 20



Riva2 500 & 750HL Edge 22

Riva2 500 & 750HL Evoke Glass 24

Riva2 500 & 750HL Evoke Steel 26

Riva2 500 & 750HL Verve XS 28

Riva2 500 & 750HL Icon XS 30

Riva2 500 Ellingham 32

Riva2 500HL Slimline 34



Riva2 500HL Slimline Edge 36

Riva2 500HL Slimline Icon XS 38

Riva2 500HL Slimline Verve XS 40

Riva2 500HL Slimline Esprit Surround 42

Eclipse Fires (page 76)

Eclipse 76



Eclipse Edge 78

Eclipse Expression 80

Eclipse Verve XS 82

Eclipse Icon XS 84

Riva2 530 & 670 44



Riva2 530 & 670 Designio2 Glass 46

Riva2 530 & 670 Designio2 Steel 48

Riva2 530 & 670 Evoke Glass 50

Riva2 530 & 670 Evoke Steel 52

Riva2 530 & 670 Verve XS 54

Riva2 530 & 670 Ellingham 56

Riva2 F670 Stoves 58

Riva2 800 & 1050 60



Riva2 800 & 1050 Edge 62

Riva2 800 & 1050 Icon XS 64

Riva2 800 & 1050 Sorrento 66

Riva2 Stone Mantels 68



Other Fires by Gazco 86



Gazco Studio Fires 86

Gazco Electric Fires 88

Technical Information 91



Relax - it's a Gazco Fire...

When you choose Gazco, quality and innovative technology are assured. From traditional models to contemporary designs, Gazco is committed to creating the ultimate flame-effect gas and electric fires.

Our research and development laboratories are amongst the most advanced in the world, ensuring that the very latest innovations are incorporated into our appliances.

Gazco is an ISO9001 accredited company. Our rigorous quality control system ensures that all our appliances comply with British safety standards as well as stringent European regulations. All fires in this brochure are CE marked. This means they have been independently tested to exacting European standards for safety as well as both heating efficiency and emissions.

Warranty

Your Gazco Expert Retailer will provide you with a Two Year Warranty for your new gas fire. This can be extended to a Five Year Warranty by registering your fire with Gazco. Please note, these warranties exclude certain consumable parts. Fires purchased outside of Gazco's Expert Retailer Network will carry a standard 1 Year non-extendable Warranty. Full warranty terms and conditions are available to view at www.gazco.com.



Expert Retailer Network

We take great care to ensure that our fires are designed, tested and manufactured to the highest possible quality and safety standards.

We are equally careful to make certain they are sold and installed correctly so you can enjoy years of pleasure from your fire. Our products are only available from experienced, independent retailers who will be happy to show you a selection of models locally in their showrooms, often fully operational. These independent retailers will discuss your individual requirements both technical (such as sizing the heat output to your room and advising on your flue type) and design, and ensure that you select the most appropriate product for your home.

Our experienced retailers will also be able to advise on, or assist with, the installation process as well as help provide any after-sales support and servicing your appliance may require in the future.

Whilst we encourage our retailers to promote fireplace products and their outlets via the internet, we do not believe suitable levels of customer care and satisfaction can be obtained from purchasing the product only online and we would strongly recommend that you consider this when undertaking your research and making a purchasing decision. Furthermore, please be aware that we do not offer technical support (beyond our statutory responsibilities) to products bought via nationwide online sales, where this support would normally be offered by one of our qualified, independent retailers.



Riva2 Fires

Our prestigious range of Riva2 fires combines stylish aesthetics with the high levels of performance you would expect from Gazco. Choose from a selection of portrait and landscape fires along with a wide variety of styling options to create the perfect Riva2 for your home.



*Riva2 670 Designio2 Steel in Graphite with EchoFlame Black Glass lining
shown with Rovere Wood Effect Fireplace Surround Tiles*

	Riva2 400	Riva2 500 & 750HL		Riva2 500HL Slimline	Riva2 530 & 670		Riva2 800 & 1050	
								
	Riva2 400	Riva2 500	Riva2 750HL	Riva2 500HL Slimline	Riva2 530	Riva2 670	Riva2 800	Riva2 1050
Fuel Bed:								
Realistic Logs	✓	✓	✓	✓	✓	✓	✓	✓
Choice of Linings:								
Brick-effect	X	✓	✓	X	✓	✓	X	X
Vermiculite	✓	✓	X	✓	✓	✓	✓	✓
Fluted Vermiculite	X	X	✓	X	X	X	X	X
Black Reeded	✓	✓	✓	✓	✓	✓	✓	✓
EchoFlame Black Glass	✓	✓	✓	✓	✓	✓	X	X
Ledgestone-effect	X	✓	✓	X	X	X	X	X
Installation Type:								
Hearth Mounted Installation	✓	✓	✓	✓	✓	✓	✓	✓
Wall Installation	✓	✓	✓	✓	✓	✓	✓	✓
Key Features:								
Timer and Thermostat Programmable Remote	✓	✓	✓	✓	✓	✓	✓	✓
Dual Burner Control	X	X	X	X	X	X	✓	✓
Glass Fronted High Efficiency	✓	✓	✓	✓	✓	✓	✓	✓
Natural Gas or LPG	✓	✓	✓	✓	✓	✓	✓	✓
Wide Selection of Frames	✓	✓	✓	✓	✓	✓	✓	✓
Frameless 'Edge' Option	✓	✓	✓	✓	X	X	✓	✓
Non-reflective Glass	✓	X	✓	✓	X	X	X	X
Conventional Flue ODS safety device*	✓	✓	✓	X	✓	✓	n/a	n/a
Balanced Flue Firebox Relief Venting System ^A	X	✓	✓	✓	✓	✓	✓	✓
Additional air vent required	X	X	✓	X	X	X	X	X
Conventional Flue	✓	✓	✓	X	✓	✓	X ⁰	X ⁰
Balanced Flue	X	✓ ⁰	✓	✓	✓	✓	✓	✓
Maximum Heat Output	3.90kW	4.80kW	7.00kW	5.2kW	5.40kW	5.60kW	7.98kW	7.98kW
Energy Efficiency Class	C	CF: D / BF: C	CF: C / BF: B	NG: B / LPG: C	CF: D / BF: C	CF: D / BF: C	C	C
Maximum Efficiency	81%	82%	86%	86%	82%	82%	84%	84%

Riva2 Styling Options

There are a wealth of frame choices available to perfectly complement your Riva2 fire, outlined on these pages and shown in detail throughout the brochure. Each one of these frames offers a unique styling possibility and is crafted from the very finest materials.

Whether your tastes lie with the contemporary or the traditional, you can find a Riva2 frame to suit your interior. Options include a stunning frameless 'hole in the wall' look, sleek glass and steel finishes, striking colour options and a wealth of hand-crafted stone mantels; ensuring whatever your style preference, there is a Riva2 fire for you.

Frame	Riva2 400	Riva2 500	Riva2 750HL	Riva2 500HL Slimline	Riva2 530	Riva2 670	Riva2 800	Riva2 1050
Edge	✓	✓	✓	✓	X	X	✓	✓
Icon XS	✓	✓	✓	✓	X	X	✓	✓
Ellingham	X	✓	X	X	✓	✓	X	X
Verve XS	✓	✓	✓	✓	✓	✓	X	X
Evoke Steel	X	✓	✓	X	✓	✓	X	X
Evoke Glass	X	✓	✓	X	✓	✓	X	X
Evoke XS	✓	✓	X	X	X	X	X	X
Designio2 Steel	X	X	X	X	✓	✓	X	X
Designio2 Glass	X	X	X	X	✓	✓	X	X
Esprit	X	X	X	✓	X	X	X	X
Sorrento	X	X	X	X	X	X	✓	✓
Stone Mantels	X	✓*	✓*	✓*	✓*	X	✓*	X

*Requires additional slip sets or back panels. The Riva2 750HL and 800 slip sets are available from Gazco. Bespoke sourcing will be required for other fires.

Sorrento



Graphite Granite or Natural Limestone

Stone Mantels - see pages 68 - 75



The Riva2 400, 500, 500HL Slimline, 530, 750HL & 800 are versatile fires that can be installed into both contemporary and more traditional interiors. Gazco's collection of six high quality stone mantels and hearths, with additional slip sets or backing panels, will complement these fires to ensure a grand finish and a timeless fireplace for your home.

Edge (Frameless)



Icon XS



Black Glass

Ellingham



Matt Black Cast Iron

Verve XS



Graphite



Ivory

Esprit



Graphite

Designio2 Steel



Graphite



Iridium

Designio2 Glass



Black Glass

Evoke XS



Black Glass front and Graphite rear



White Glass front and Graphite rear

Evoke Steel



Graphite front and rear



Ivory front and Graphite rear

Evoke Glass (Black Glass)



Black Glass front and Graphite rear



Black Glass front and Ivory rear

Evoke Glass (White Glass)



White Glass front and Graphite rear



White Glass front and Ivory rear

Riva2 400

The most compact fire in the Riva2 range, the 400 is perfect for standard sized homes and offers a range of designer styling options to complement eye-catching flame visuals.



*Riva2 400 Verve XS with base section
and EchoFlame Black Glass lining*

The Riva2 400's beautifully composed realistic logs create flowing flames that dance over a glowing ember bed. This remarkably realistic effect remains crystal clear thanks to the fire's non-reflective glass. Providing a 4.2kW heat output at up to 81% efficiency, this elegant, conventional flue gas fire has been designed to suit a variety of interiors.

Frame options

Designed for installation as a stunning hole-the-wall Edge fire, the 400 can also be styled with a range of transforming frame options. Three statement styles enhance the fire's aesthetics and even expand them, allowing you to choose a frame that reflects your individual tastes.

Lining options (see pages 8 - 9)

The Riva2 400 has a choice of three elegant linings that each add their own ambience to the flames. Opt for classic Black Reeded, Vermiculite or depth-enhancing EchoFlame Black Glass.

ECHOFLAME™
BLACK GLASS LINING



Vermiculite



Black Reeded



EchoFlame Black Glass



Riva2 400 Icon XS with EchoFlame Black Glass lining

Convenient control

Ignite your fire and adjust the flames from the comfort of your armchair. Advanced gas fire technology allows the Riva2 400 to be pre-set to maintain selected temperatures as well as programmed to turn on at certain times.



Riva2 400 Edge



Riva2 400 Edge with EchoFlame Black Glass lining

The Riva2 400 can be installed without a frame as an Edge fire and is suitable for standard 16" fireplace openings thanks to its compact proportions. The 400, like many other models in the Riva2 range, allows for plastering up to the fire's edge for a seamless fit with its surroundings.

Fuel Bed

Logs

Linings

Vermiculite
Black Reeded
EchoFlame Black Glass

Command Controls

Programmable
Thermostatic remote



Fire Choice

Riva2 400 - Conventional Flue



Efficiency

81%

Efficiency Class

C

Heat Output

4.20kW

Dimensions^Δ w x h (mm)

400 x 388

^Δ Dimensions given are those overall visible upon installation. Efficiency figures are based upon the maximum heat output achieved in the options available. For more detailed technical information, including firebox dimensions and installation requirements, please see page 92.



Riva2 400 Edge with Vermiculite lining, installed on a porcelain wood-effect tiled wall.



Riva2 400 Evoke XS



Riva2 400 Evoke XS Black Glass with Black Reeded lining

The Evoke XS features a sleek glass front and contoured black steel rear. Available in either white or black glass versions, you can opt for either contrasting or uniform styles to catch the eye and enhance your fire.

Front Finishes

Black Glass
White Glass

Rear Finish

Graphite

Linings

Vermiculite
Black Reeded
EchoFlame Black Glass

Fuel Bed

Logs

Command Controls

Programmable
Thermostatic remote



Fire Choice	Efficiency	Efficiency Class	Heat Output	Frame Dimensions ^Δ w x h x d (mm)
Riva2 400 - Conventional Flue	81%	C	4.20kW	617 x 617 x 32

^Δ Dimensions given are those overall visible upon installation. Efficiency figures are based upon the maximum heat output achieved in the options available. For more detailed technical information, including firebox dimensions and installation requirements, please see page 92.

Riva2 400 Icon XS



Riva2 400 Icon XS with Vermiculite Glass lining

The Icon XS adds a black glass frame composed of four geometrically placed glass pieces. Amplifying the fire's presence, this chic framing option makes a strikingly contemporary statement in any setting.

Fuel Bed

Logs

Finish

Black Glass

Linings

Vermiculite

Black Reeded

EchoFlame Black Glass

Command Controls

Programmable

Thermostatic remote



Fire Choice

Riva2 400 - Conventional Flue



Efficiency

81%

Efficiency Class

C

Heat Output

4.20kW

Frame Dimensions^Δ w x h x d (mm)

617 x 617 x 28

^Δ Dimensions given are those overall visible upon installation. Efficiency figures are based upon the maximum heat output achieved in the options available. For more detailed technical information, including firebox dimensions and installation requirements, please see page 92.



Riva2 400 Icon XS with EchoFlame Black Glass lining



Riva2 400 Verve XS with top & base sections and EchoFlame Black Glass lining

Riva2 400 Verve XS



Riva2 400 Verve XS with Vermiculite lining



Riva2 400 Verve XS with base section and Black Reeded lining

The stylish Verve XS frame offers a host of possibilities for your Riva2 400. Adding a distinctive, portrait aesthetic, this versatile frame can also be combined with the optional matching top and base sections, allowing you to further customise your fire.

Finish

Graphite

Linings

Vermiculite
Black Reeded
EchoFlame Black Glass

Fuel Bed

Logs

Command Controls

Programmable
Thermostatic remote



Fire Choice

Fire Choice	Efficiency	Efficiency Class	Heat Output	Frame Dimensions ^Δ w x h x d (mm)
Riva2 400 Verve XS - Conventional Flue	81%	C	4.20kW	617 x 887 x 46
Riva2 400 Verve XS with base section - Conventional Flue	81%	C	4.20kW	617 x 1143 x 46
Riva2 400 Verve XS with top & base section - Conventional Flue	81%	C	4.20kW	617 x 1875 x 46

^Δ Dimensions given are those overall visible upon installation. Efficiency figures are based upon the maximum heat output achieved in the options available. For more detailed technical information, including firebox dimensions and installation requirements, please see page 92.

Additional image of the Riva2 400 Verve XS is shown on page 10.

Riva2 500 & 750HL

Thoughtfully designed to fit into standard 22" and 36" British fireplace openings, the Riva2 500 and the larger Riva2 750HL usher in a new era of gas fires. With their highly realistic log effect fuel beds complemented by a wide choice of striking frames, mantels and lining options, these outstanding fires can be perfectly tailored to your home's décor.



Riva2 500

Offering up to 4.8kW of high efficiency heat output, the Riva2 500 will provide cosy warmth for those cold winter evenings as well as the ambiance of a highly realistic log-effect fire with glowing ember bed. The Riva2 500 also comes with a Programmable Thermostatic remote to give you complete control over the fire from your sofa.

Riva2 750HL

The Riva2 750HL provides up to 7kW of heat, making it ideal for heating larger spaces efficiently, all fully controlled with the Programmable Thermostatic remote control. Designed to fit into a standard 36" chimney opening, the Riva2 750HL allows you to make the most of your existing fireplace, featuring non-reflective glass for a flawless open-fire appearance and crystal clear view of the rolling flames complemented by a wide range of frame styling options, the 750HL ensures a designer statement in every setting.

Lining Options

To enhance your styling possibilities and ensure you can achieve a look that will best suit you and your home, Gazco has developed a range of lining options, each providing an entirely different aesthetic for the stunning log-effect fire. Opt for the glamorous Black Reeded lining, the classic Brick-effect, the natural Ledgestone-effect, the depth-enhancing EchoFlame Black Glass or the light and contemporary Vermiculite which also includes an attractive fluting detail on 750HL models.



*Brick-effect**



Black Reeded



*Vermiculite
Riva2 500 only*



EchoFlame Black Glass



Ledgestone-effect



*Fluted Vermiculite
Riva2 750HL only*

**Close up shown is of Riva2 500 Brick-effect. Riva2 750HL Brick-effect close up is shown on page 28.*



Riva2 750HL Icon XS with EchoFlame Black Glass lining

Frame Options (see pages 8 - 9)

Choose from the contemporary styling of the 'Edge' with its clean, frameless design for that 'hole in the wall' look or alternatively opt for one of Gazco's distinctive frames to extend your styling possibilities. Ranging from the shining Black Glass of the Icon XS, to the subtle curves of the Verve XS, each frame is designed to create a real presence in your home and to complement your own individual tastes.

Remote Control

Both the Riva2 500 & Riva2 750HL come with a Programmable Thermostatic remote control, sporting a number of impressive settings; you can set your fire to thermostatically maintain a specific room temperature of your choosing, or you can programme your fire to a daily or weekly timer schedule for the ultimate in ease and convenience.





Riva2 500 & 750HL Edge



Riva2 750HL Edge with Brick-effect lining



Riva2 500 Edge with Black Reeded lining

The frameless aesthetic of the Riva2 500 & 750HL Edge allows you to create a chic, minimalist look whilst simultaneously bringing focus to the beautiful flames of these highly efficient gas fires.

The simple, clean lines of a 'hole-in-the-wall' fire can be further enhanced by creating a feature wall using Gazco's carefully selected range of fireplace tile surround packages. This contemporary collection of porcelain and natural stone tiles are the perfect complement to the modern aesthetics of the Edge.

For a more traditional look, the Edge models can also be paired with one of Gazco's elegant classic stone mantels, see pages 68 - 75 for details.

Fuel Bed

Logs

Linings



Vermiculite (500)
 Fluted Vermiculite (750HL)
 Brick-effect
 Black Reeded
 EchoFlame Black Glass
 Ledgestone-effect

Command Controls

Programmable
 Thermostatic remote



Fire Choices

Fire Choices	Efficiency	Efficiency Class	Heat Output	Dimensions ^Δ w x h (mm)
Riva2 500 - Conventional Flue 	76%	D	4.80kW	550 x 388
Riva2 500 - Balanced Flue 	82%	C	4.80kW	550 x 388
Riva2 750HL - Conventional Flue	81%	C	7.20kW	797 x 713
Riva2 750HL - Balanced Flue	86%	B	7.50kW	797 x 713

Δ Dimensions given are those overall visible upon installation. Efficiency figures are based upon the maximum heat output achieved in the options available. For more detailed technical information, including firebox dimensions and installation requirements, please see pages 96 - 97.



The Riva2 500 & 750HL Edge models can be combined with a choice of Gazco's high quality stone mantels - see pages 68 - 75 for details.

Riva2 500 & 750HL Evoke Glass



Riva2 750HL Evoke Glass with Black Glass front and Graphite rear, with Black Reeded lining



Riva2 500 Evoke Glass with Black Glass front and Ivory rear, with Ledge-stone-effect lining

The Evoke Glass combines a layer of stunning reflective glass with a steel background to create a sophisticated, contemporary frame. Available with either a black or white glass front, the steel rear section is finished in Graphite or Ivory.

Front Finishes

Black Glass
White Glass

Rear Finish

Graphite
Ivory

Linings

Vermiculite (500)
Fluted Vermiculite (750HL)
Brick-effect
Black Reeded
EchoFlame Black Glass
Ledge-stone-effect

Fuel Bed

Logs

Command Controls

Programmable
Thermostatic remote



Fire Choices

Fire Choices	Efficiency	Efficiency Class	Heat Output	Frame Dimensions ^Δ w x h x d (mm)
Riva2 500 - Conventional Flue	76%	D	4.80kW	869 x 710 x 40
Riva2 500 - Balanced Flue	82%	C	4.80kW	869 x 710 x 40
Riva2 750HL - Conventional Flue	81%	C	7.20kW	1117 x 1034 x 42
Riva2 750HL - Balanced Flue	86%	B	7.50kW	1117 x 1034 x 42

^Δ Dimensions given are those overall visible upon installation. Efficiency figures are based upon the maximum heat output achieved in the options available. For more detailed technical information, including firebox dimensions and installation requirements, please see pages 96 - 97.

Additional image of the Riva2 500 Evoke Glass is shown on page 5.

*Riva2 500 Evoke Glass with White Glass
front and Graphite rear, with Brick-effect lining*





Riva2 500 & 750HL Evoke Steel



Riva2 500 Evoke Steel with Graphite front and rear, with EchoFlame Black Glass lining



Riva2 500 Evoke Steel with Ivory front and Graphite rear, with Brick-effect lining

The Evoke Steel's two-part design focuses purely on sharp definition. This stylish frame option features a Graphite back and choice of either a matching Graphite or contrasting ivory front, creating an eye-catching centrepiece in any setting.

Front Finishes

Graphite
Ivory

Linings

Vermiculite (500)
Fluted Vermiculite (750HL)
Brick-effect
Black Reeded
EchoFlame Black Glass
Ledgestone-effect

Fuel Bed

Logs

Command Controls

Programmable
Thermostatic remote



Fire Choices	Efficiency	Efficiency Class	Heat Output	Frame Dimensions ^A w x h x d (mm)
Riva2 500 - Conventional Flue	76%	D	4.80kW	869 x 710 x 40
Riva2 500 - Balanced Flue	82%	C	4.80kW	869 x 710 x 40
Riva2 750HL - Conventional Flue	81%	C	7.20kW	1117 x 1034 x 42
Riva2 750HL - Balanced Flue	86%	B	7.50kW	1117 x 1034 x 42

^A Dimensions given are those overall visible upon installation. Efficiency figures are based upon the maximum heat output achieved in the options available. For more detailed technical information, including firebox dimensions and installation requirements, please see pages 96 - 97.

Riva2 500 & 750HL Verve XS



Riva2 750HL Verve XS in Graphite with EchoFlame Black Glass lining



Riva2 500 Verve XS in Ivory with Brick-effect lining



Riva2 750HL Brick-effect lining

A contemporary frame with unmistakable flair, the Verve XS, with its horizontal curve and smart graphite or ivory finishes, balances the traditional aesthetics of these highly realistic log-effect fires with modern styling.

Colour Choice

Graphite
Ivory

Linings

Vermiculite (500)
Fluted Vermiculite (750HL)
Brick-effect
Black Reeded
EchoFlame Black Glass
Ledgestone-effect

Fuel Bed

Logs

Command Controls

Programmable
Thermostatic remote



Fire Choices

Fire Choices	Efficiency	Efficiency Class	Heat Output	Frame Dimensions ^A w x h x d (mm)
Riva2 500 - Conventional Flue	76%	D	4.80kW	890 x 621 x 57
Riva2 500 - Balanced Flue	82%	C	4.80kW	890 x 621 x 57
Riva2 750HL - Conventional Flue	81%	C	7.20kW	1202 x 1005 x 54
Riva2 750HL - Balanced Flue	86%	B	7.50kW	1202 x 1005 x 54

^A Dimensions given are those overall visible upon installation. Efficiency figures are based upon the maximum heat output achieved in the options available. For more detailed technical information, including firebox dimensions and installation requirements, please see pages 96 - 97.



FOR YOU AND ANIMALS...
NICE TO SEE YOU
TO SEE YOU NICE
SHUT THAT
BOON!
WHAT A
DING
DONG
JUST LIKE THAT!

CHEEKY!
STOP MUSTING ABOUT
ROCK ON TOMMY
SINCERELY
YOU DIRTY
OLD MAN!
STUPID
BOY
THE WILEY
THE WILEY

Riva2 500 Verve XS in Graphite with Vermiculite lining

Riva2 500 & 750HL Icon XS



Riva2 750HL Icon XS with EchoFlame Black Glass lining



Riva2 500 Icon XS with LedgeStone-effect lining

The Icon XS makes a bold statement with its sleek, black reflective surfaces and clean, geometric design. At home in both modern and more traditional interiors, the Icon XS adds a touch of grandeur to your living space and enhances the stunning visuals of your Riva2 fire.

Finish

Black Glass

Linings

Vermiculite (500)
Fluted Vermiculite (750HL)
Brick-effect
Black Reeded
EchoFlame Black Glass
LedgeStone-effect

Fuel Bed

Logs

Command Controls

Programmable
Thermostatic remote



Fire Choices

	Efficiency	Efficiency Class	Heat Output	Frame Dimensions ^Δ w x h x d (mm)
Riva2 500 - Conventional Flue	76%	D	4.80kW	855 x 694 x 17
Riva2 500 - Balanced Flue	82%	C	4.80kW	945 x 784 x 17
Riva2 750HL - Conventional Flue	81%	C	7.20kW	1089 x 1015 x 17
Riva2 750HL - Balanced Flue	86%	B	7.50kW	1089 x 1015 x 17

^Δ Dimensions given are those overall visible upon installation. Efficiency figures are based upon the maximum heat output achieved in the options available. For more detailed technical information, including firebox dimensions and installation requirements, please see pages 96 - 97.



Riva2 500 Icon XS with Vermiculite Lining shown with Gazco's Pretoria Anthracite Polished and Durban White Matt fireplace surround tiles



Riva2 500 Ellingham



Riva2 500 Ledgestone-effect lining



Riva2 500 Ellingham with Black Reeded lining

Crafted from cast iron, the Ellingham front is a surround option designed for hearth mounted installations of the Riva2 500.

With cast detailing, the Ellingham adds a touch of grace and elegance to Gazco's range of smaller, but high efficiency, glass fronted Riva2 fires. Although classic in style, the Ellingham will sit equally at home in both modern and traditionally styled interiors, with a matt black finish to offset the highly realistic log effect and choice of either Brick-effect, Vermiculite, Black Reeded, Ledgestone-effect or EchoFlame Black Glass lining options.

Finish

Matt Black Cast Iron

Linings

Vermiculite
Brick-effect
Black Reeded
EchoFlame Black Glass
Ledgestone-effect

Fuel Bed

Logs

Command Controls

Programmable
Thermostatic remote



Fire Choices

	Efficiency	Efficiency Class	Heat Output	Frame Dimensions ^A w x h x d (mm)
Riva2 500 - Conventional Flue	76%	D	4.80kW	885 x 678 x 75
Riva2 500 - Balanced Flue	82%	C	4.80kW	885 x 678 x 75

^A Dimensions given are those overall visible upon installation. Efficiency figures are based upon the maximum heat output achieved in the options available. For more detailed technical information, including firebox dimensions and installation requirements, please see page 96.

An additional image of the Ellingham 500 with Black Reeded lining is shown on page 96.

Riva2 500HL Slimline

The Riva2 500HL Slimline offers you the superb flames of the Riva2 range with a versatile slim profile which allows it to be installed into a cavity wall. Featuring a range of design options, this stunning fire offers unique styling that can be added to almost any home.



Riva2 500HL Slimline Icon XS with EchoFlame Black Glass lining

Hand painted, realistic logs lend the Riva2 500HL Slimline the natural ambience of a real wood fire. Tall rolling flames and a glowing ember bed are complemented by a non-reflective glass front for uninterrupted visuals.

Designed with Gazco's innovative gas fire technology, this advanced fire produces an ample 5.2kW of heat at up to 86% efficiency.

Suitable for a huge range of interiors, the 500HL's shallow depth means that it can be conveniently fitted into an exterior wall with the internal leaf removed, ensuring a slim footprint and minimising building work. Once recessed into a cavity wall, this Slimline fire protrudes just 75mm into the room and has a choice of finishing options to suit your interior.



Key Features

1. Shallow firebox depth
2. Balanced flue connection
3. Choice of linings
4. Highly realistic fuel bed
5. Choice of frame styles
6. Convected heat system outlet
7. Radiant heat
8. Non-reflective glass front
9. Programmable Thermostatic remote control*
10. Rear exit Balanced Flue Termination Kit included*

*Not shown

Lining Options



A selection of different linings offer a choice of backdrops to the flames. Choose from Black Reeded, Vermiculite or EchoFlame Black Glass, which enhances the depth of the flame visuals with its polished, mirror-like surfaces.



Vermiculite



Black Reeded



EchoFlame Black Glass

Frames and Surround Options (see pages 8 - 9)

The Riva2 500HL can be enhanced with a selection of contemporary frame designs. When installed into a cavity wall with a slim studwork faux chimney breast to house the fire's remaining 75mm depth, the fire can be finished as a frameless Edge or enhanced with either the striking black glass Icon XS or the sweeping Verve XS frames.

Alternatively, the Riva2 500HL Slimline Esprit adds a strikingly contemporary surround, which completely houses the non-recessed portion of the fire for an installation without additional building work.

Convenient Control

The Riva2 500HL Slimline features a Programmable Thermostatic remote control, allowing this high efficiency gas fire to be ignited and extinguished from the comfort of your sofa as well as programmed to turn on at set times and temperatures.



Riva2 500HL Slimline Edge



Riva2 500HL Slimline Edge with EchoFlame Black Glass lining

The Riva2 500HL Slimline comes ready as a frameless Edge fire, for installation into a cavity wall to take the majority of the fire's depth. A slim studwork surround or faux chimney breast can be constructed to house the fire's front facing 75mm depth. Integrating seamlessly with your surrounding décor, the minimalist styling of the Edge allows your interior to frame the fire and ensures the flames are the centre of attention.

Fuel Bed

Logs

Linings

Vermiculite
Black Reeded
EchoFlame Black Glass

Command Controls

Programmable
Thermostatic remote



Fire Choice

Fire Choice	Efficiency	Efficiency Class	Heat Output	Dimensions ^Δ w x h (mm)
Riva2 500HL Slimline Edge - Balanced Flue	86%	B/C*	5.20kW	549 x 521

^Δ Dimensions given are those overall visible upon installation. Efficiency figures are based upon the maximum heat output achieved in the options available. For more detailed technical information, including firebox dimensions and installation requirements, please see page 93.

* Natural Gas has an efficiency class rating of B. LPG has an efficiency class rating of C.



The Riva2 500HL Slimline Edge model can be combined with a choice of Gazco's high quality stone mantels - see pages 68 - 75 for details.





Riva2 500HL Slimline Icon XS with Black Reeded lining

Riva2 500HL Slimline Icon XS



Riva2 500HL Slimline Icon XS with Vermiculite lining

Constructed from shimmering Black Glass positioned geometrically around the fire, the Icon XS frame draws the eye with luxurious surfaces and clean minimalist detailing.


Finish
Black Glass

Linings
Vermiculite
Black Reeded
EchoFlame Black Glass

Fuel Bed
Logs

Command Controls
Programmable
Thermostatic remote



	Efficiency	Efficiency Class	Heat Output	Frame Dimensions ^Δ w x h x d (mm)
Riva2 500HL Slimline Icon XS - Balanced Flue 	86%	B/C*	5.20kW	855 x 828 x 27

^Δ Dimensions given are those overall visible upon installation. Efficiency figures are based upon the maximum heat output achieved in the options available. For more detailed technical information, including firebox dimensions and installation requirements, please see page 93.

* Natural gas has an efficiency class rating of B, LPG has an efficiency class rating of C.

Riva2 500HL Slimline Verve XS



Riva2 500HL Slimline Verve XS in Ivory with Vermiculite lining

Complementing the 500HL's modern looks and clean styling, the Verve XS adds an elegantly curved frame for increased visual presence.

Finishes

Graphite
Ivory

Fuel Bed

Logs

Linings

Vermiculite
Black Reeded
EchoFlame Black Glass

Command Controls

Programmable
Thermostatic remote



Fire Choice

Riva2 500 Verve XS - Balanced Flue



Efficiency

86%

Efficiency Class

B/C*

Heat Output

5.20kW

Frame Dimensions^A w x h x d (mm)

890 x 755 x 57

^Δ Dimensions given are those overall visible upon installation. Efficiency figures are based upon the maximum heat output achieved in the options available. For more detailed technical information, including firebox dimensions and installation requirements, please see page 93.

* Natural gas has an efficiency class rating of B, LPG has an efficiency class rating of C.



Riva2 500HL Slimline Verve XS in Graphite with Black Reeded lining



Riva2 500HL Slimline Esprit Surround



An eye-catching alternative to the Edge or frame styling choices, the Esprit adds a surround that houses the Riva2 400's remaining 75mm front facing depth once installed into a cavity wall, minimising building work.

Featuring subtly curving interchangeable top and base sections, the Esprit is finished in chic Graphite, creating a prominent and contemporary focal point in any setting.

Key Features

1. Steel surround with Graphite finish
2. Large and small sections can be fitted either above or below fire
3. Shallow firebox depth
4. Balanced flue connection
5. Choice of linings
6. Highly realistic fuel bed
7. Convected heat system outlet
8. Radiant heat
9. Non-reflective glass
10. Programmable Thermostatic remote control*
11. Rear exit Balanced Flue Termination Kit included*

*Not shown



Riva2 500HL Slimline Esprit with Vermiculite lining

Finish

Graphite

Linings

Vermiculite
Black Reeded
EchoFlame Black Glass

Command Controls

Programmable
Thermostatic remote



Fuel Bed

Logs

Fire Choice

Riva2 500HL Slimline Esprit - Balanced Flue



Efficiency

86%

Efficiency Class

B/C*

Heat Output

5.20kW

Dimensions^Δ w x h x w (mm)

746 x 1211 x 125

^Δ Dimensions given are those overall visible upon installation. Efficiency figures are based upon the maximum heat output achieved in the options available. For more detailed technical information, including firebox dimensions and installation requirements, please see page 93.

* Natural gas has an efficiency class rating of B, LPG has an efficiency class rating of C.



Riva2 530 & 670

The Riva2 530 and Riva2 670 are contemporary gas fires that are available with a stunning collection of modern and traditional frames and lining options, enabling you to create the perfect look for your home.

*Riva2 670 Evoke Steel with Graphite front,
Graphite rear and Brick-effect lining*

High Efficiency Gas Fires

With their glass-fronted design, Riva2 530 and 670 fires not only offer exceptional design, but also outstanding efficiencies of up to 82%. This high thermal efficiency ensures that over 5kW of comforting heat is delivered into your living space, creating a wonderful warming ambiance.

Framing Options (see pages 8 - 9)

The Riva2 530 and 670 fires have an extensive choice of frames available, letting you create your own individual look. A host of contemporary styles includes the three-dimensional Verve XS, sleek glass Designio and Evoke frames as well as elegant steel options. For traditional aesthetics, the cast iron Ellingham adds Neo-Georgian inspired styling suitable for either modern or classic interiors.

Lining Options



To create a truly bespoke look that is just right for you, there is a choice of four stylish linings, each designed to offer a different look for the outstandingly realistic log-effect fire. Choose from the, chic Vermiculite, smart Black Reeded, classic Brick-effect or the highly reflective EchoFlame Black Glass lining, all of which form a unique complement to the attractive Riva2 530 and 670 fires.



Vermiculite



Black Reeded



Brick-effect



EchoFlame Black Glass



Riva2 530 Designio2 Glass with Black Reeded lining, shown with Malmo mantel available from Stovax

Simple Installation

The Riva2 530 and 670 are both compatible with our optional linerless flue kit. At just 0.5 metres long, this short piece of flexible, stainless steel flue pipe and debris deflector has been specifically designed to be slotted into your masonry chimney. This eliminates the need for the chimney to be fully lined and any associated labour, facilitating a simpler and more cost effective installation.

Remote Control

Supplied as standard with your Riva2 530 or 670 fire, this multi-function Programmable Thermostatic remote enables ignition, extinguish and flame control alongside advanced thermostatic and timer programming functions. Whether you decide to set a daily or weekly programme or simply prefer to maintain a desired room temperature, your gas fire can provide a warming welcome, every time you return home.





Riva2 530 & 670 Designio2 Glass



Riva2 670 Designio2 Glass with Black Reeded lining



Riva2 530 Designio2 Glass with Vermiculite lining

The Designio2 Glass frame has smart, reflective black surfaces with subtle detailing and clean lines. It is a sophisticated front for both the portrait dimensions of the Riva2 530 and the landscape shape of the Riva2 670 and its simple, chic design will complement a wide array of interiors.

Finish
Black Glass

Linings
Vermiculite
Brick-effect
Black Reeded
EchoFlame Black Glass

Fuel Bed
Logs

Command Controls
Programmable
Thermostatic remote



An additional image is shown on page 45.

Fire Choices

		Efficiency	Efficiency Class	Heat Output	Frame Dimensions ^Δ w x h x d (mm)
Riva2 530 - Conventional Flue		76%	D	5.1kW	608 x 704 x 40
Riva2 530 - Balanced Flue		82%	C	5.4kW	608 x 704 x 40
Riva2 670 - Conventional Flue		76%	D	5.1kW	735 x 569 x 40
Riva2 670 - Balanced Flue		82%	C	5.6kW	735 x 569 x 40

^Δ Dimensions given are those overall visible upon installation. Efficiency figures are based upon the maximum heat output achieved in the options available. For more detailed technical information, including firebox dimensions and installation requirements, please see pages 94 - 95.



The Riva2 530 Designio2 Glass can be combined with a choice of Gazco's high quality stone mantels - see pages 68 - 75 for details.

Riva2 530 & 670 Designio2 Steel



Riva2 670 Designio2 Steel in Graphite with EchoFlame Black Glass lining



Riva2 530 Designio2 Steel in Iridium with Black Reeded lining

The Designio2 Steel is a tasteful frame that has been thoughtfully shaped for the Riva2 530 and 670 fires. Finished in a choice of stylish Graphite or smart Iridium, the Designio2 Steel offers you a complete focal point with a thoroughly contemporary and cutting edge look that will complement many interiors and décors.

Finishes

Graphite
Iridium

Linings

Vermiculite
Brick-effect
Black Reeded
EchoFlame Black Glass

Fuel Bed

Logs

Command Controls

Programmable
Thermostatic remote



Fire Choices

		Efficiency	Efficiency Class	Heat Output	Frame Dimensions ^Δ w x h x d (mm)
Riva2 530 - Conventional Flue		76%	D	5.1kW	608 x 704 x 38
Riva2 530 - Balanced Flue		82%	C	5.4kW	608 x 704 x 38
Riva2 670 - Conventional Flue		76%	D	5.1kW	735 x 569 x 38
Riva2 670 - Balanced Flue		82%	C	5.6kW	735 x 569 x 38

^Δ Dimensions given are those overall visible upon installation. Efficiency figures are based upon the maximum heat output achieved in the options available. For more detailed technical information, including firebox dimensions and installation requirements, please see pages 94 - 95.



The Riva2 530 Designio2 Steel can be combined with a choice of Gazco's high quality stone mantels - see pages 68 - 75 for details.



Riva2 670 Designio2 Steel in Graphite with Brick-effect lining



Riva2 530 & 670 Evoke Glass



Riva2 670 Evoke Glass in Black Glass with Ivory rear and Black Reeded lining



Riva2 530 Evoke Glass in White Glass with Graphite rear and Brick-effect lining

The Evoke Glass is an eye-catching frame with two separate layers of stunning reflective glass and sophisticated steel. Choose from a luxurious black or white glass front to complement the bevelled rear steel section in either Graphite or Ivory finishes.

Front Finishes

Black Glass
White Glass

Rear Finishes

Graphite
Ivory

Linings

Vermiculite
Brick-effect
Black Reeded
EchoFlame Black Glass

Fuel Bed

Logs

Command Controls

Programmable
Thermostatic remote



The Riva2 530 and 670 are both compatible with our linerless flue kit for a simplified installation. Please see page 45 for further information.

Fire Choices

Fire Choices	Efficiency	Efficiency Class	Heat Output	Frame Dimensions ^Δ w x h x d (mm)
Riva2 530 - Conventional Flue	76%	D	5.1kW	795 x 752 x 40
Riva2 530 - Balanced Flue	82%	C	5.4kW	795 x 752 x 40
Riva2 670 - Conventional Flue	76%	D	5.1kW	920 x 622 x 40
Riva2 670 - Balanced Flue	82%	C	5.6kW	920 x 622 x 40

^Δ Dimensions given are those overall visible upon installation. Efficiency figures are based upon the maximum heat output achieved in the options available. For more detailed technical information, including firebox dimensions and installation requirements, please see pages 94 - 95.



Riva2 670 Evoke Steel with Graphite front and rear with EchoFlame Black Glass lining

Riva2 530 & 670 Evoke Steel



Riva2 670 Evoke Steel with Ivory front, Graphite rear and Vermiculite lining



Riva2 530 Evoke Steel with Graphite front, Graphite rear and Black Reeded lining

The Evoke Steel is a stunning, two-part design that is well suited to modern interiors. The front face can be selected in either graphite or ivory, with the bevelled graphite rear providing a harmonious or contrasting boarder depending on your choice.

Front Finishes

Graphite
Ivory

Rear Finish

Graphite

Linings

Vermiculite
Brick-effect
Black Reeded
EchoFlame Black Glass

Fuel Bed

Logs

Command Controls

Programmable
Thermostatic remote



Also see image on page 44.

		Efficiency	Efficiency Class	Heat Output	Frame Dimensions ^Δ w x h x d (mm)
Riva2 530 - Conventional Flue		76%	D	5.1kW	795 x 752 x 40
Riva2 530 - Balanced Flue		82%	C	5.4kW	795 x 752 x 40
Riva2 670 - Conventional Flue		76%	D	5.1kW	920 x 622 x 40
Riva2 670 - Balanced Flue		82%	C	5.6kW	920 x 622 x 40

^Δ Dimensions given are those overall visible upon installation. Efficiency figures are based upon the maximum heat output achieved in the options available. For more detailed technical information, including firebox dimensions and installation requirements, please see pages 94 - 95.

The Riva2 530 and 670 are both compatible with our linerless flue kit for a simplified installation. Please see page 45 for further information.

Riva2 530 & 670 Verve XS



Riva2 670 Verve XS in Ivory with Vermiculite lining



Riva2 670 Verve XS in Graphite with Brick-effect lining



Riva2 530 Verve XS in Ivory with Vermiculite lining

The Verve XS offers a subtle curving form which effortlessly enhances the presence of the Riva2 670. This eye-catching frame is offered in either stylish graphite or tasteful ivory to suit your interior.

Finishes

Graphite
Ivory

Linings

Vermiculite
Brick-effect
Black Reeded
EchoFlame Black Glass

Fuel Bed

Logs

Command Controls

Programmable
Thermostatic remote



The Riva2 530 and 670 are both compatible with our linerless flue kit for a simplified installation. Please see page 45 for further information.

Fire Choices

	Efficiency	Efficiency Class	Heat Output	Frame Dimensions ^Δ w x h x d (mm)
Riva2 530 - Conventional Flue	76%	D	5.1kW	690 x 835 x 59
Riva2 530 - Balanced Flue	82%	C	5.4kW	690 x 835 x 59
Riva2 670 - Conventional Flue	76%	D	5.1kW	1000 x 621 x 56
Riva2 670 - Balanced Flue	82%	C	5.6kW	1000 x 621 x 56

^Δ Dimensions given are those overall visible upon installation. Efficiency figures are based upon the maximum heat output achieved in the options available. For more detailed technical information, including firebox dimensions and installation requirements, please see pages 94 - 95.



Riva2 530 Verve XS in Graphite with EchoFlame Black Glass lining

Riva2 530 & 670 Ellingham



Riva2 530 Ellingham with Vermiculite lining



Riva2 670 Ellingham with Brick-effect lining

The handsome cast iron Ellingham front is available for both the Riva2 530 and 670 fires. Although classic in its nature, this frame sits equally well in both traditional and contemporary interiors.

Finish
Matt Black Cast Iron

Linings
Vermiculite
Brick-effect
Black Reeded
EchoFlame Black Glass

Fuel Bed
Logs

Command Controls
Programmable
Thermostatic remote



Fire Choices	Efficiency	Efficiency Class	Heat Output	Frame Dimensions ^Δ w x h x d (mm)	
Riva2 530 - Conventional Flue	<input checked="" type="checkbox"/>	76%	D	5.1kW	815 x 759 x 75
Riva2 530 - Balanced Flue	<input checked="" type="checkbox"/>	82%	C	5.4kW	815 x 759 x 75
Riva2 670 - Conventional Flue	<input checked="" type="checkbox"/>	76%	D	5.1kW	940 x 627 x 75
Riva2 670 - Balanced Flue	<input checked="" type="checkbox"/>	82%	C	5.4kW	940 x 627 x 75

^Δ Dimensions given are those overall visible upon installation. Efficiency figures are based upon the maximum heat output achieved in the options available. For more detailed technical information, including firebox dimensions and installation requirements, please see pages 94 - 95.



Riva2 530 Ellingham with Black Reeded lining

Gas Riva2 F670 Stoves



Riva2 F670 Glass with Brick-effect lining



Riva2 F670 Steel in Graphite with Vermiculite lining

Combining exceptional aesthetics with the latest gas fire innovations, the Riva2 F670 provides a high level of heating performance and efficiency.

The F670's realistic log-effect fire is complimented by Gazco's EchoFlame Black Glass lining, which enhances the depth of the fire by mirroring the flames on three sides. This lining can be optionally replaced with either Vermiculite, Brick-effect or Black Reeded, for an alternative backdrop to the flames.

Riva2 F670 Stoves are offered in Glass or Steel fronted versions, as well as a choice of hearth or bench mounting. For more information see the Gazco Gas & Electric Stoves brochure.

Finish
Black Glass
Graphite

Linings
EchoFlame Black Glass
Vermiculite (optional)
Brick-effect (optional)
Black Reeded (optional)

Fuel Bed
Logs

Command Controls
Programmable
Thermostatic remote



Fire Choices	Efficiency	Efficiency Class	Heat Output	Dimensions ^Δ w x h x d (mm)
Riva2 F670 - Conventional Flue	76%	D	5.1kW	738 x 572 x 385
Riva2 F670 - Balanced Flue	82%	C	5.6kW	738 x 572 x 385

^Δ Dimensions given are those overall visible upon installation. Efficiency figures are based upon the maximum heat output achieved in the options available. For more detailed technical information, including firebox dimensions and installation requirements, please see the separate Gazco Gas & Electric Stoves brochure.

To view the Gazco stoves brochure, simply scan this QR code, visit www.gazco.com or speak to your local Gazco retailer.





Riva2 F670 Glass with EchoFlame Black Glass lining on Riva 120 High bench

Riva2 800 & 1050

The Riva2 800 & 1050 take large format gas fires to a new level with high efficiency heating and striking designer aesthetics. Available with a choice of styling options, the Riva2 800 is also compatible with Gazco's collection of six beautifully crafted, classic stone mantels.



*Riva2 1050 Icon XS with Vermiculite lining.
Shown with Zelo Slimline Grey Fire Surround Tiles.*

Stunning Flame Visuals...

An enticing focal point for your home, both the Riva2 800 and 1050 offer incredible flame visuals that deliver all the ambiance of a solid fuel fire. At the cutting-edge of fire design, the advanced dual burner system gives you the option to choose between using one or two burners, allowing you to create your perfect atmosphere and heat output. Both models feature a glowing ember fuel bed and non-reflective glass for a flawless, open fire aesthetic.

Convected heat enters the room through high level vents which are incorporated into your installation, providing cosy ambient heating throughout your living space.

Frame Options (see pages 8 - 9)

The Riva2 800 & 1050 come with a number of styling and frame options designed to enhance the impressive dimensions of these fires. Choose from the minimalist styling of the frameless Edge, or frames such as the Icon XS with a highly reflective Black Glass finish.

For hearth mounted installations, the graceful proportions of the Sorrento stone surround enables you to recreate a style reminiscent of a traditional fireplace whilst still maintaining a thoroughly contemporary look for your living space. Choose from in either Graphite Granite or Natural Limestone.

For an altogether more traditional look, pair your Riva2 800 with one of six timeless and elegant stone mantels, expertly blending classical fireplace styling with the very latest in heating design and technology.



Riva2 800 Sorrento in Natural Limestone with Black Reeded lining

Lining Options

To further tailor your Riva2 800 or 1050 to your own setting, there is a choice of two stylish linings, each designed to offer a completely different look. Choose from the timeless Black Reeded lining for a more classic look or opt for the Vermiculite lining which enhances the fire's glow.



Black Reeded Lining



Vermiculite Lining

Remote Control

Riva2 800 & 1050 fires come complete with a state-of-the-art Programmable Thermostatic remote control as standard. This allows remote operation of everything from ignition to extinguish as well as incorporating the benefits of a programmable timer and thermostat. Both fires also come complete with a flat Touch Control panel that can be discreetly wall mounted up to 2.5 metres away from the fire, allowing you to ignite, extinguish and control the flame height manually if you choose.



Programmable Thermostatic Remote and Flat Touch Control Panel

Riva2 800 & 1050 Edge



Riva2 800 Edge with Black Reeded lining. Shown with Gazco's Cape Town Grey Matt fire surround tiles



Riva2 800 Edge with Vermiculite lining



Developed for those who want the visual impact and heat of a blazing log fire with all the ease of gas, the Riva2 800 & 1050 Edge offers high efficiency in a frameless design. With advanced dual burners to give you complete control, you can create the perfect flame visuals to suit your mood.

The frameless look allows you to create a more minimalist décor, to which tiles or wall colours and finishes can be added to maximise the overall impression of depth and space. Gazco offers a range of fireplace tile surround packages to complement the Riva2 Edge fires.

Although the Riva2 800 & 1050 are available as balanced flue fires, they can be installed into a conventional chimney by using the optional Riva2 renovation kit. Details of this can be found on page 99.



The Riva2 800 Edge models can be combined with a choice of Gazco's high quality stone mantels - see pages 68 - 75 for details.

Fire Choices		Efficiency	Efficiency Class	Heat Output	Dimensions ^Δ w x h (mm)
Riva2 800 - Balanced Flue		84%	C	7.98kW	870 x 760
Riva2 1050 - Balanced Flue		84%	C	7.98kW	1142 x 552

Δ Dimensions given are those overall visible upon installation. Efficiency figures are based upon the maximum heat output achieved in the options available. For more detailed technical information, including firebox dimensions and installation requirements, please see pages 98 - 99.

Fuel Bed
Logs

Linings
Vermiculite
Black Reeded

Command Controls
Programmable
Thermostatic remote





Riva2 1050 Edge with Black Reeded lining

Riva2 800 & 1050 Icon XS



Riva2 1050 Icon XS with Black Reeded lining.



Riva2 1050 Icon XS with Vermiculite lining.

The Icon XS is a truly awe-inspiring frame and the perfect complement to the large format Riva2 800 & 1050 fires. Iconic in both name and nature, this luxuriant frame is designed to make an impact. The resplendent, highly reflective Black Glass and clean geometric lines offers unrivalled flair and elegance blending seamlessly with your own decorative tastes.

The Riva2 800 & 1050 have a heat output of up to 7.98kW. The crystal clear non-reflective glass window offers an uninterrupted view of the stunningly realistic logs with innovative glowing ember effect fuel bed, whilst the Programmable Thermostatic remote control provides the finishing touch - perfect comfort at just the touch of a button.

- Finish**
Black Glass
- Fuel Bed**
Logs
- Linings**
Vermiculite
Black Reeded
- Command Controls**
Programmable
Thermostatic remote



Fire Choices	Efficiency	Efficiency Class	Heat Output	Frame Dimensions ^Δ w x h x d (mm)
Riva2 800 - Balanced Flue	84%	C	7.98kW	1173 x 1068 x 24
Riva2 1050 - Balanced Flue	84%	C	7.98kW	1443 x 861 x 24

^Δ Dimensions given are those overall visible upon installation. Efficiency figures are based upon the maximum heat output achieved in the options available. For more detailed technical information, including firebox dimensions and installation requirements, please see pages 98 - 99.

Additional image of the Riva2 1050 Icon XS is shown on page 60.



Riva2 800 Icon XS with Vermiculite lining

Riva2 800 & 1050 Sorrento



Riva2 1050 Sorrento in Graphite Granite with Vermiculite lining



Riva2 1050 Sorrento in Limestone with Black Reeded lining





The Sorrento surround has been designed to provide a contrast between the timeless beauty of natural stone and the advanced technology of the Riva2 800 & 1050. The simple lines of the surround provide the perfect frame to the warming glow of the highly realistic log fire, to establish a true focal point in your room.

Operation is impressive too, with all functions operated by the fully Programmable Thermostatic remote control.

Although the Riva2 800 & 1050 are available as balanced flue fires only, they can be installed into a conventional chimney by using the optional Riva2 renovation kit. Details of this can be found on page 99.

Fire Choices

Fire Choices	Efficiency	Efficiency Class	Heat Output	Frame Dimensions ^Δ w x h x d (mm)
Riva2 800 Balanced Flue 	84%	C	7.98kW	1260 x 1009 x 200
Riva2 1050 Balanced Flue 	84%	C	7.98kW	1530 x 801 x 200

^Δ Dimensions given are those overall visible upon installation. Efficiency figures are based upon the maximum heat output achieved in the options available. For more detailed technical information, including firebox dimensions and installation requirements, please see pages 98 - 99.

Additional image of the Riva2 800 Sorrento is shown on page 61.

Finishes

Natural Limestone
Graphite Granite

Fuel Bed

Logs

Linings

Vermiculite
Black Reeded

Command Controls

Programmable
Thermostatic remote





Riva2 800 Sorrento with Vermiculite lining in Natural Limestone

Riva2 Stone Mantels



*Riva2 750HL Edge with Brick-effect lining and
Claremont Mantel in Limestone with matching slip sets*

Traditional Style with a Modern Slant...

Gazco's collection of six high quality stone mantels and optional hearths are available in a choice of either Limestone or Antique White Marble, each piece truly unique by virtue of the naturally occurring veining, subtle tonal differences and indeed even small fossils that may be found in the limestone. Each mantel is a beautiful and natural complement to many of the high efficiency fires shown in this brochure and the perfect way to create a grand finish and a timeless fireplace in your home.



Victorian Corbel



Claremont



Sandringham



Cavendish Bolection



Georgian Roundel



Grafton

For more information on Gazco's stone mantels and hearths please see page 100.

Mantel Styles	Claremont	Cavendish Bolection	Georgian Roundel	Grafton	Sandringham	Victorian Corbel
Dimensions ^Δ w x h (mm)	1555 x 1143	1460 x 1320	1460 x 1082	1415 x 1165	1550 x 1220	1525 x 1170



Riva2 800 Edge with Vermiculite lining and Grafton Mantel in Limestone with matching slip sets

*Riva2 750HL & 800 slip sets are available from Gazco. Bespoke sourcing will be required for Riva2 400, 500, 530 & 500HL Slimline slip sets or back panels for any other fires.

Δ Overall visible dimensions upon installation. For more detailed information, including firebox dimensions, please see pages 93, 96 - 99.

(All the above images are shown with a Riva2 750HL fire and matching slip sets)

Riva2 Stone Mantels



Riva2 500HL Slimline Edge with Vermiculite Lining and Sandringham Mantel in Limestone



Riva2 530 Designio2 Steel in Graphite with Vermiculite Lining and Grafton Mantel in Limestone



Riva2 800 Edge with Black Reeded lining and Claremont Mantel and large hearth in Limestone with matching slip sets

In addition to the wide choice of frame styling options shown throughout this brochure, Gazco offer a selection of solid stone mantels to add some authentic period charm into your fireplace setting; each with a choice of six historic designs from Georgian and Victorian times, beautifully carved in your choice of natural Limestone or Antique White Marble.

Mantel Styles	Dimensions w x h (mm)	Opening Dimensions w x h (mm)
Claremont	1555 x 1143	915 x 915
Cavendish Bolection	1460 x 1320	915 x 915
Georgian Roundel	1460 x 1082	915 x 915
Grafton	1415 x 1165	915 x 915
Sandringham	1550 x 1220	915 x 915
Victorian Corbel	1525 x 1170	915 x 915

Stone Choices

Antique White Marble
Limestone

Linings

Vermiculite (500, 500HL Slimline & 800)
Fluted Vermiculite (750HL)
Black Reeded (500, 500HL Slimline, 750HL & 800)
Brick-effect (500 & 750HL)
EchoFlame Black Glass (500, 500HL Slimline, 530 & 750HL)
Ledgestone-effect (500 & 750HL)

Fire Choices

Fire Choices	Pages
Riva2 500 Edge	22 - 23
Riva2 500HL Slimline	34 - 43
Riva2 530 Designio2 Glass	46 - 47
Riva2 530 Designio2 Steel	48 - 49
Riva2 750HL Edge	22 - 23
Riva2 800 Edge	62 - 63

For further details on the complementary hearth options and slip sets, please see page 100.

*Riva2 750HL Edge with Brick-effect lining
and Grafton Mantel and small hearth in Antique
White Mantel with matching slip sets*





Riva2 Stone Mantels (continued)



Victorian Corbel Mantel detail



Riva2 750HL with Black Reeded lining and Cavendish Bolection Mantel and slip sets in Limestone



Riva2 500 with Brick-effect lining and Victorian Corbel Mantel in Antique White Marble

With matching stone slip sets available, these impressive stone mantels have been specifically designed to complement the Riva2 750HL and Riva2 800 Edge fires. However, by incorporating a back panel of your choosing, these work equally well with the Riva2 500 Edge as well as the Riva2 530 fires when paired with the contemporary Designio2 Glass or Steel frames. Your styling options continue with a choice of distinctive lining options, allowing you to choose a look that will best suit you and your home.

Mantel Styles	Dimensions w x h (mm)	Opening Dimensions w x h (mm)
Claremont	1555 x 1143	915 x 915
Cavendish Bolection	1460 x 1320	915 x 915
Georgian Roundel	1460 x 1082	915 x 915
Grafton	1415 x 1165	915 x 915
Sandringham	1550 x 1220	915 x 915
Victorian Corbel	1525 x 1170	915 x 915

Stone Choices

Antique White Marble
Limestone

Linings

Vermiculite (500, 500HL Slimline & 800)
Fluted Vermiculite (750HL)
Black Reeded (500, 500HL Slimline, 750HL & 800)
Brick-effect (500 & 750HL)
EchoFlame Black Glass (500, 500HL Slimline, 530 & 750HL)
Ledgestone-effect (500 & 750HL)

Fire Choices

Fire Choices	Pages
Riva2 500 Edge	22 - 23
Riva2 500HL Slimline	34 - 43
Riva2 530 Designio2 Glass	46 - 47
Riva2 530 Designio2 Steel	48 - 49
Riva2 750HL Edge	22 - 23
Riva2 800 Edge	62 - 63

For further details on the complementary hearth options and slip sets, please see page 100.

Riva2 Stone Mantels (continued)



Riva2 750HL Edge with Fluted Vermiculite lining and Georgian Roundel Mantel, slip sets and large hearth in Antique White Marble.



Riva2 500 Edge with Ledgestone-effect lining and Cavendish Bolection Mantel in Limestone



Sandringham Mantel detail

The Riva2 stone mantel collection features the finest quality hand-finished craftsmanship and provide the ultimate in aesthetic and tactile appeal for your home. Paired with a high efficiency Riva2 fire, you can enjoy all the authentic charm of a highly realistic log-effect fire in a timeless mantel fireplace, fully operational from the comfort of your favourite armchair using the convenient Programmable Thermostatic remote control supplied.

Mantel Styles	Dimensions w x h (mm)	Opening Dimensions w x h (mm)
Claremont	1555 x 1143	915 x 915
Cavendish Bolection	1460 x 1320	915 x 915
Georgian Roundel	1460 x 1082	915 x 915
Grafton	1415 x 1165	915 x 915
Sandringham	1550 x 1220	915 x 915
Victorian Corbel	1525 x 1170	915 x 915

Stone Choices

Antique White Marble
Limestone

Linings

Vermiculite (500, 500HL Slimline & 800)
Fluted Vermiculite (750HL)
Black Reeded (500, 500HL Slimline, 750HL & 800)
Brick-effect (500 & 750HL)
EchoFlame Black Glass (500, 500HL Slimline, 530 & 750HL)
Ledgestone-effect (500 & 750HL)

Fire Choices

Fire Choices	Pages
Riva2 500 Edge	22 - 23
Riva2 500HL Slimline	34 - 43
Riva2 530 Designio2 Glass	46 - 47
Riva2 530 Designio2 Steel	48 - 49
Riva2 750HL Edge	22 - 23
Riva2 800 Edge	62 - 63

For further details on the complementary hearth options and slip sets, please see page 100.



*Riva2 530 Designio2 Glass with
Brick-effect lining and Claremont
Limestone Mantel*

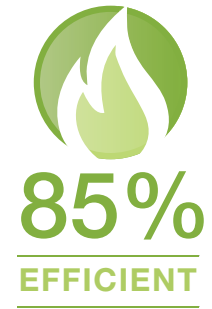
Eclipse Fires

The Eclipse 100 offers state-of-the-art features, beautiful design and cutting edge technology which combine to create the ultimate ambiance in your home. With an impressive heat output complemented by a choice of frames and lining options, this high efficiency fire will instantly add contemporary elegance to any home.



Fabulous Frames & Flames

The very latest fire to adorn the Gazco range, the Eclipse 100 brings with it a series of new technological advancements that combine to create a high efficiency fire with truly awe-inspiring flame visuals. The generous firebox offers a highly realistic flame picture that flows through a hand-painted, ultra realistic log-effect fuel bed accentuated by mesmerising glowing embers. Offering a crystal clear view of the stunning flames, the Eclipse also features non-reflective glass for a flawless, open-fire aesthetic. Presented with a choice of three sophisticated frames as well a 'hole-in-the-wall' frameless Edge design, there is a contemporary style choice to suit all interiors.



Convenient Control

The Eclipse 100 also comes complete with a Programmable Thermostatic remote control as standard. Giving you full control over your fire, the handset operates everything from ignition to extinguish as well as integrated a programmable timer, temperature control and Gazco's convection fan air system from the touch of a button. The advanced dual-burner system also allows you to set your perfect atmosphere by selecting to use one or two burners, giving you total control over flame height and heat output.



Luxury Linings

Further extending its appeal and style options, the Eclipse 100 has two attractive lining choices - classic Black Reeded and smart Ledgestone-effect. The Black Reeded lining offers a striking contrast to the flickering flame, whilst the Ledgestone-effect, with its textured profile finish, brings a brighter, natural alternative that adds interest even when the fire is off. Each lining enhances the overall setting of your new Eclipse fire whilst providing their own unique and distinctive finish.



Black Reeded Lining



Ledgestone-effect Lining





Eclipse Edge



Eclipse 100 Edge with Ledgestone-effect Lining

Installed as a frameless 'Edge', the Eclipse 100 creates a breathtaking hole-in-the-wall focal point that lets the enticing flame picture take centre stage - perfect for any interior. With the tall, eager flames dancing through the wonderfully realistic log-effect fuel bed, the Eclipse 100 Edge is a statement in itself.

Fuel Bed

Logs

Linings

Black Reeded
Ledgestone-effect

Command Control

Programmable Thermostatic remote



Fire Choice

Efficiency

Efficiency Class

Heat Output

Dimensions^Δ w x h (mm)

Eclipse 100 Edge, Balanced Flue		85%	C	9.35kW	1067 x 451
---------------------------------	--	-----	---	--------	------------

^Δ Dimensions given are those overall visible upon installation. Efficiency figures are based upon the maximum heat output achieved in the options available. For more detailed technical information, including firebox dimensions and installation requirements, please see page 91.

See additional image on page 76.

Eclipse Expression



*Eclipse 100 Expression in Graphite with Black Reeded Lining.
Installed on a ceramic tiled wall*

The Eclipse Expression is a versatile frame offered in either Graphite or Ivory to fit a wide spectrum of interior styles. The deep profile of this frame has a smooth, geometric design, which perfectly captures the large flame picture and realistic log-effect fuel bed. A perfect finish to an already incredible focal point.

Finishes

Graphite
Ivory

Fuel Bed

Logs

Linings

Black Reeded
Ledgestone-effect

Command Control

Programmable
Thermostatic remote



Fire Choice

Eclipse 100 Expression, Balanced Flue



Efficiency

85%

Efficiency Class

C

Heat Output

9.35kW

Frame Dimensions ^Δ w x h x d (mm)

1290 x 650 x 40

Δ Dimensions given are those overall visible upon installation. Efficiency figures are based upon the maximum heat output achieved in the options available. For more detailed technical information, including firebox dimensions and installation requirements, please see page 91.

See additional image on page 103.



Eclipse 100 Expression in Graphite with Ledge stone-effect Lining



*Eclipse 100 Verve XS in Graphite
with Ledgestone-effect Lining*

Eclipse Verve XS



Eclipse 100 Verve XS in Ivory with Black Reeded Lining

For a bolder style choice, the Eclipse Verve XS presents a subtly curving 3D form that can be appreciated from all angles. Available in sophisticated Graphite or elegant Ivory, the Verve XS accentuates the already impressive Eclipse for even greater impact.


Finishes
Graphite
Ivory

Fuel Bed
Logs

Linings
Black Reeded
Ledgestone-effect

Command Control
Programmable
Thermostatic remote



Fire Choice	Efficiency	Efficiency Class	Heat Output	Frame Dimensions ^Δ w x h x d (mm)
Eclipse 100 Verve XS, Balanced Flue 	85%	C	9.35kW	1435 x 693 x 58

^Δ Dimensions given are those overall visible upon installation. Efficiency figures are based upon the maximum heat output achieved in the options available. For more detailed technical information, including firebox dimensions and installation requirements, please see page 91.

Eclipse Icon XS



Eclipse 100 Icon XS with Ledgestone-effect Lining

A truly magnificent and iconic design - the Eclipse Icon XS delivers in style with its sleek Black Glass frame. Surrounding the eye-catching flame and fuel-bed, the highly reflective Black Glass surfaces eschew any nod to traditional styling and instead places the emphasis purely on contemporary design.

Finishes

Black Glass

Fuel Bed

Logs

Linings

Black Reeded
Ledgestone-effect

Command Control

Programmable
Thermostatic remote



Fire Choice

Eclipse 100 Icon XS, Balanced Flue



Efficiency

85%

Efficiency Class

C

Heat Output

9.35kW

Frame Dimensions^Δ w x h x d (mm)

1386 x 754 x 26

^Δ Dimensions given are those overall visible upon installation. Efficiency figures are based upon the maximum heat output achieved in the options available. For more detailed technical information, including firebox dimensions and installation requirements, please see page 91.



Eclipse 100 Icon XS with Black Reeded Lining



Gazco Studio Fires



Studio 2 Conventional Flue, Profil in Anthracite with Log-effect fuel bed and EchoFlame Black Glass lining



Studio 22 Balanced Flue Profil in Anthracite



Studio 1 Freestanding Conventional Flue with Black front and matching bench, Pebble & Stone fuel bed and black reeded lining

Gazco Studio fires combine stunning aesthetics, heating performance and versatile installation options to create a stylish, contemporary gas fire range suitable for a range of homes with or without a chimney.

Available as either Open or Glass Fronted fires, inset or freestanding as well as conventional or balanced flue models, the Studio range's striking flame visuals can be customised with the wealth of styling options offered.

Studio fires have a choice of fuel effects and lining options, depending on the model, which enhance the flames and let you customise your fire to your tastes. Fuel bed options include highly realistic log-effect for traditional wood fire ambience or ultra-contemporary pebble & stones, for a minimalist design statement. Providing a backdrop to the flames, there is also a choice of linings for many fires in the Studio range, including the luxurious, depth-enhancing EchoFlame Black Glass that mirrors the flames on each side.

As well as lining and fuel-effect choices, Inset Studio fires have a variety of frame options available, including a number of different styles in steel or glass and various finishes. These stunning frame options have all been designed specifically to complement this contemporary fire range and offer you a spectrum of different styling possibilities.

Further information about this exciting range can be found in a separate, dedicated brochure which can be requested from your local retailer or viewed online at www.gazco.com.

To view the Gazco Studio Fires brochure, simply scan this QR code, visit www.gazco.com or speak to your local Gazco retailer.



Gazco Electric Fires



In addition to the wide selection of gas fires shown in this brochure, Gazco also offers an extensive array of highly realistic, stylish electric fires which are covered in separate dedicated brochures.

Offered in a wealth of styling options, these fires feature the very latest technology with realistic flames for a versatile and stunning focal point in any home – all without the need for a chimney!

Fires such as the latest Gazco Radiance combine stunning LED flame effects with mood enhancing lighting features, effortlessly setting the atmosphere thanks to their stylish Chromalight™ backlighting feature*.

Available in hang-on-the-wall, hearth mounted or frameless inset options, as well as a wide selection of contemporary frames and matching classic stone mantels; Gazco's cutting edge electric range has it all.

**Wall mounted Radiance fires only.*



Whether you want to achieve a modern contemporary look or a more classic, traditional interior, the Gazco Electric Fires and Stoves brochure has the perfect solution whatever your style or budget.

To view the Gazco Electric Fires & Stoves brochures, simply scan this QR code, visit www.gazco.com or speak to your local Gazco retailer.





Radiance Inset 135R Edge

Your Home and Flue Requirements...

Conventional Flue

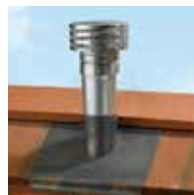
Conventional flue systems are for Gazco's Open Fronted and some Glass Fronted gas fires. They are easily recognisable as either a conventional brick or stone chimney, or as a pre-fabricated chimney system. Should your home have neither at present, it is usually possible to have a pre-fabricated system installed in your home if required.



Brick/Stone Chimney

(Class 1)

The chimney stack rises well above the roofline and is topped by a traditional chimney pot or gas terminal. This type of chimney relies on the natural circulation of heated air to expel the products of combustion up your chimney.



Pre-fabricated Flues

(Class 1 & 2)

You will see a metal flue cowl on your roof. Some are all metal whilst others may terminate through a short rectangular pot (but without a chimney stack). These flues create the same circulation of heated air as a brick or stone chimney.

Balanced Flue

Balanced flues work in conjunction with Gazco's Glass Fronted gas fires only. The appliance is completely sealed from the room into which it is installed (so there are no draughts and heating efficiency is increased) and a twin-wall pipe vents directly to an outside wall.



Balanced Flue

(No chimney required)

Air for combustion is drawn in through the outer pipe whilst the inner pipe removes the combustion gases to the exterior of the property. Depending on the fire selected, the twin-walled pipe may exit horizontally through an external wall or vertically through the roof. Gazco offers a comprehensive range of balanced flue system components. Please refer to our dedicated Concentric Flue System brochure which can be requested from your retailer or viewed online at www.gazco.com.

No Air Vent Required (UK)

All fires shown with this symbol have the advantage of not normally requiring an air vent*. Please discuss this in full with your local retailer.

*Requirements in the Republic of Ireland are different.

Technical Information

The following pages provide the dimensional, heat input/output, efficiency and product code information you will need to choose your new Gazco fire. For more detailed specifications, please consult your Gazco retailer. Complete installation instructions may be downloaded from www.gazco.com.



Eclipse 100 Verve XS in Graphite with Black Reeded Lining

Eclipse 100 Fires

FIRE INFORMATION

Product Code	Flue Type	Gas Type	Heat Input	Heat Output	Energy Efficiency Class	Efficiency	Remote Control	Lining
⊗ 128-041	Balanced	Nat. Gas	11.00kW	9.35kW	C	85%	Prog. Thermostatic	Ledgstone-effect
⊗ 128-429	Balanced	LPG	10.80kW	9.18kW	C	85%	Prog. Thermostatic	Ledgstone-effect
⊗ 128-030	Balanced	Nat. Gas	11.00kW	9.35kW	C	85%	Prog. Thermostatic	Black Reeded
⊗ 128-516	Balanced	LPG	10.80kW	9.18kW	C	85%	Prog. Thermostatic	Black Reeded

FRAME INFORMATION

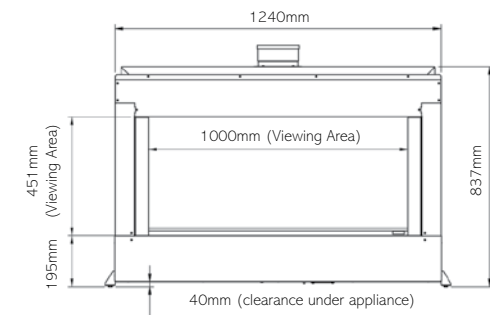
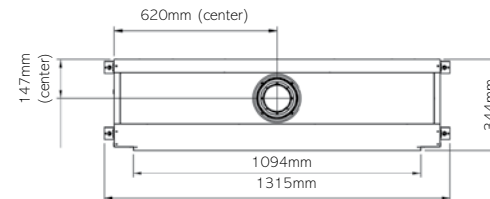
Description	Frame Finish	Product Code	Frame Size (mm)		
			w	h	d
Icon XS	Black Glass	928-172	1386	754	26
Verve XS	Graphite*	928-090	1435	693	58
Expression	Graphite*	928-023	1290	650	40

ECLIPSE OPTIONS

Product Code	Description
928-358	Eclipse Ledgstone-effect Lining Set
928-279	Eclipse Black Reeded Lining Set
999-639	Battery Back-up Kit
999-117	Tiled Wall Fitting Kit
928-315	Chimney Renovation Kit

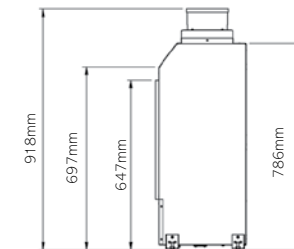
* These frames can also be selected in Ivory. Please use the product code provided with the following suffix for your choice of colour: Ivory (IV) - for example: Eclipse Verve XS in Ivory = 928-090IV

ECLIPSE DIMENSIONS (mm)



CHIMNEY RENOVATION KIT

This innovative addition allows your balanced flue Eclipse 100 fire to be installed in an existing fireplace opening with the option of either a single liner using the masonry chimney to bring in air or with two liners. Your retailer will be able to advise on your specific requirements. See page 99 for diagram.

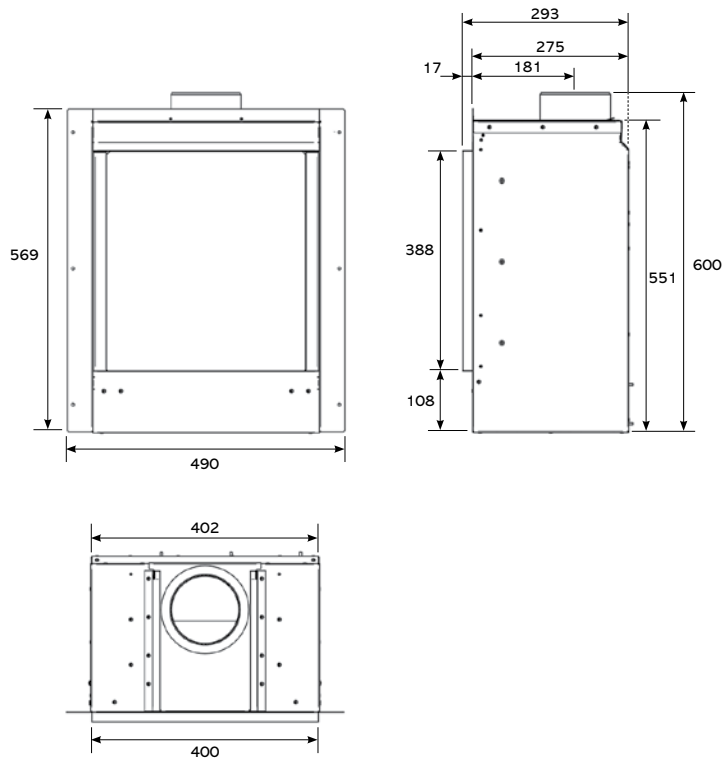


Riva2 400 Fires

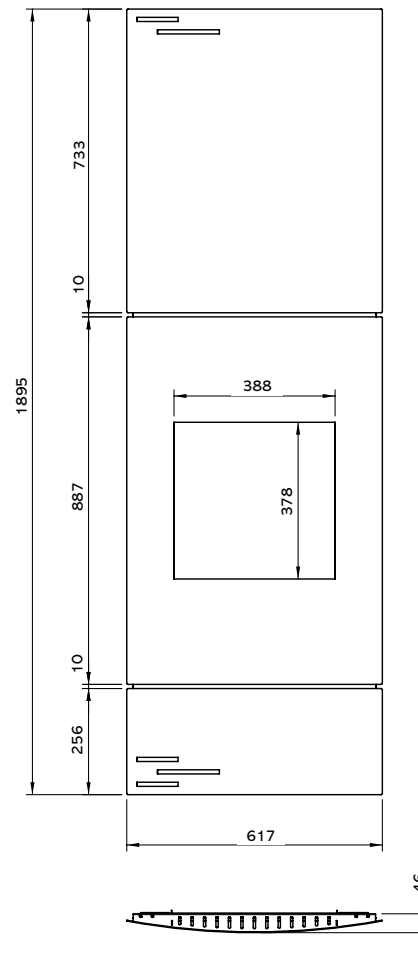
RIVA2 400 FIRE INFORMATION

Product Code	Flue Type	Gas Type	Heat Input	Heat Output	Energy Efficiency Class	Efficiency	Remote Control	Lining	Opening Size (mm)		
									w	h	d
⊗ 134-067	Conventional	Nat. Gas	5.20kW	4.20kW	C	81%	Prog. Thermostatic	Vermiculite	425	560	350
⊗ 134-433	Conventional	LPG	5.10kW	4.10kW	C	81%	Prog. Thermostatic	Vermiculite	425	560	350
⊗ 134-050	Conventional	Nat. Gas	5.20kW	4.20kW	C	81%	Prog. Thermostatic	Black Reeded	425	560	350
⊗ 134-424	Conventional	LPG	5.10kW	4.10kW	C	81%	Prog. Thermostatic	Black Reeded	425	560	350
⊗ 134-042	Conventional	Nat. Gas	5.20kW	4.20kW	C	81%	Prog. Thermostatic	Black Glass	425	560	350
⊗ 134-416	Conventional	LPG	5.10kW	4.10kW	C	81%	Prog. Thermostatic	Black Glass	425	560	350

RIVA2 400 DIMENSIONS (mm)



RIVA2 400 VERVE XS FRAME



RIVA2 400 FRAME INFORMATION

Description	Frame Finish	Product Code	Frame Size (mm)		
			w	h	d
Verve XS	Graphite	934-045	617	887	46
Verve XS Base Module	Graphite	934-066	617	256	46
Verve XS Top Module	Graphite	934-071	617	732	46
Evoke XS Glass	Black Glass front & Graphite rear	934-106	617	617	32
Evoke XS Glass	White Glass front & Graphite rear	934-113	617	617	32
Icon XS	Black Glass	934-120	617	617	17

RIVA2 400 OPTIONS

Product Code	Description
934-162	Riva2 400 Conventional Flue Vermiculite Lining Set
934-153	Riva2 400 Conventional Flue Black Reeded Lining Set
934-140	Riva2 400 Conventional Flue Black Glass Lining Set
999-620	Remote System Mains Adaptor



Riva2 400 Icon XS with Vermiculite lining

Riva2 500HL Slimline

RIVA2 500HL SLIMLINE FIRE INFORMATION

Product Code	Flue Type	Gas Type	Heat Input	Heat Output	Energy Efficiency Class	Efficiency	Remote Control	Lining	Opening Size (mm)		
									w	h	d
⊗ 134-126	Balanced	Nat. Gas	6.00kW	5.20kW	B	86%	Prog. Thermostatic	Vermiculite	565	695	240
⊗ 134-499	Balanced	LPG	4.90kW	5.20kW	C	84%	Prog. Thermostatic	Vermiculite	565	695	240
⊗ 134-115	Balanced	Nat. Gas	6.00kW	5.20kW	B	86%	Prog. Thermostatic	Black Reeded	565	695	240
⊗ 134-481	Balanced	LPG	4.90kW	5.20kW	C	84%	Prog. Thermostatic	Black Reeded	565	695	240
⊗ 134-102	Balanced	Nat. Gas	6.00kW	5.20kW	B	86%	Prog. Thermostatic	Black Glass	565	695	240
⊗ 134-478	Balanced	LPG	4.90kW	5.20kW	C	84%	Prog. Thermostatic	Black Glass	565	695	240

RIVA2 500HL SLIMLINE FRAME INFORMATION

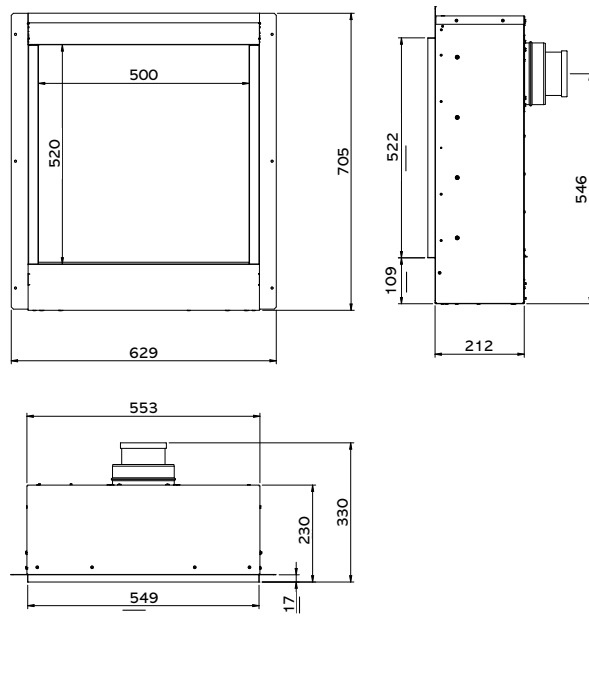
Description	Frame Finish	Product Code	Frame Size (mm)		
			w	h	d
Verve XS	Graphite	934-229	890	755	57
Icon XS	Black Glass	934-247	855	828	27
Esprit	Graphite	934-268	746	1211	125

RIVA2 500HL SLIMLINE OPTIONS

Product Code Description

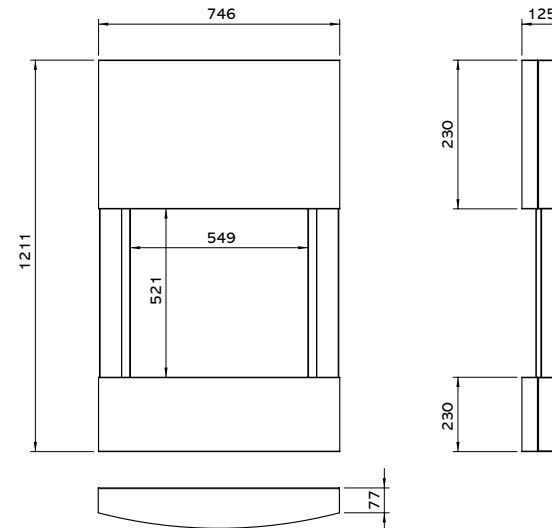
934-289	Riva2 500 HL Slimline Balanced Flue Black Reeded Lining Set
934-294	Riva2 500 HL Slimline Balanced Flue Vermiculite Lining Set
934-306	Riva2 500 HL Slimline Balanced Flue Black Glass Effect Lining Set
999-620	Remote System Mains Adaptor

RIVA2 500HL SLIMLINE DIMENSIONS (mm)

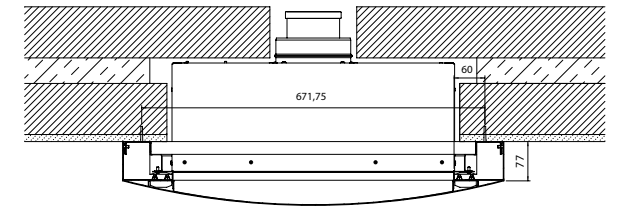
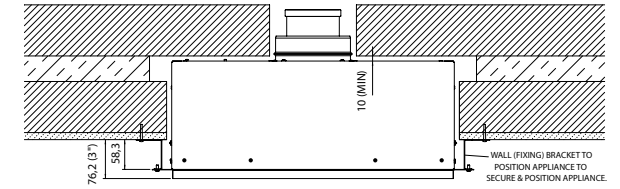


RIVA2 500HL SLIMLINE ESPRIT SURROUND

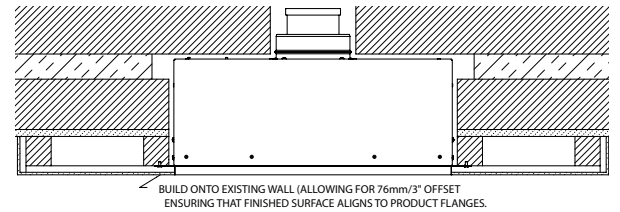
When installed into the inner leaf of a cavity wall, the front face of the appliance will require a 75mm (3") rebated surround complete with a finishing slip to house the remaining appliance depth. Alternatively, a slim studwork chimney breast could be constructed and the appliance can then either be finished as an "Edge" installation or finished with either the Verve XS or Icon fronts. The appliance is also suitable for installation into a cavity wall in conjunction with the Esprit front which will house the remaining depth.



TYPICAL INSTALLATION FOR ESPRIT SURROUND



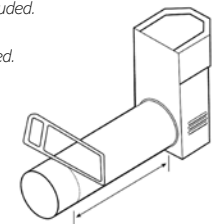
TYPICAL INSTALLATION FOR EDGE, VERVE XS & ICON XS



REAR EXIT BALANCED FLUE TERMINATION KIT

The Riva2 500HL Slimline comes complete with a specific rear exit balanced flue termination kit (8526) included.

395 x 200 x 200 mm (H x W x D) Guard supplied. Cut to length as required on site.



Riva2 530 & 670 Fires

RIVA2 530 FIRE INFORMATION

Product Code	Flue Type	Gas Type	Heat Input	Heat Output	Energy Efficiency Class	Efficiency	Remote Control	Lining	Opening Size (mm)		
									w	h	d
⊗ 134-156	Conventional	Nat. Gas	6.80kW	5.10kW	D	76%	Prog. Thermostatic	Black Reeded	540	665	350
⊗ 134-739	Conventional	LPG	6.80kW	5.10kW	D	76%	Prog. Thermostatic	Black Reeded	540	665	350
⊗ 134-171	Balanced	Nat. Gas	6.60kW	5.40kW	C	82%	Prog. Thermostatic	Black Reeded	540	665	350
⊗ 134-718	Balanced	LPG	6.70kW	5.50kW	C	82%	Prog. Thermostatic	Black Reeded	540	665	350
⊗ 134-189	Conventional	Nat. Gas	6.80kW	5.10kW	D	76%	Prog. Thermostatic	Vermiculite	540	665	350
⊗ 134-641	Conventional	LPG	6.80kW	5.10kW	D	76%	Prog. Thermostatic	Vermiculite	540	665	350
⊗ 134-215	Balanced	Nat. Gas	6.60kW	5.40kW	C	82%	Prog. Thermostatic	Vermiculite	540	665	350
⊗ 134-614	Balanced	LPG	6.70kW	5.50kW	C	82%	Prog. Thermostatic	Vermiculite	540	665	350
⊗ 134-233	Conventional	Nat. Gas	6.80kW	5.10kW	D	76%	Prog. Thermostatic	Brick-effect	540	665	350
⊗ 134-587	Conventional	LPG	6.80kW	5.10kW	D	76%	Prog. Thermostatic	Brick-effect	540	665	350
⊗ 134-256	Balanced	Nat. Gas	6.60kW	5.40kW	C	82%	Prog. Thermostatic	Brick-effect	540	665	350
⊗ 134-554	Balanced	LPG	6.70kW	5.50kW	C	82%	Prog. Thermostatic	Brick-effect	540	665	350
⊗ 134-106	Conventional	Nat. Gas	6.80kW	5.10kW	D	76%	Prog. Thermostatic	Black Glass	540	665	350
⊗ 134-707	Conventional	LPG	6.80kW	5.10kW	D	76%	Prog. Thermostatic	Black Glass	540	665	350
⊗ 134-012	Balanced	Nat. Gas	6.60kW	5.40kW	C	82%	Prog. Thermostatic	Black Glass	540	665	350
⊗ 134-592	Balanced	LPG	6.70kW	5.50kW	C	82%	Prog. Thermostatic	Black Glass	540	665	350

RIVA2 670 FIRE INFORMATION

⊗ 134-259	Conventional	Nat. Gas	6.80kW	5.10kW	D	76%	Prog. Thermostatic	Black Reeded	670	530	350
⊗ 134-536	Conventional	LPG	6.70kW	5.00kW	D	76%	Prog. Thermostatic	Black Reeded	670	530	350
⊗ 134-271	Balanced	Nat. Gas	6.70kW	5.50kW	C	82%	Prog. Thermostatic	Black Reeded	670	530	350
⊗ 134-505	Balanced	LPG	6.80kW	5.60kW	C	82%	Prog. Thermostatic	Black Reeded	670	530	350
⊗ 134-299	Conventional	Nat. Gas	6.80kW	5.10kW	D	76%	Prog. Thermostatic	Vermiculite	670	530	350
⊗ 134-472	Conventional	LPG	6.70kW	5.00kW	D	76%	Prog. Thermostatic	Vermiculite	670	530	350
⊗ 134-314	Balanced	Nat. Gas	6.70kW	5.50kW	C	82%	Prog. Thermostatic	Vermiculite	670	530	350
⊗ 134-455	Balanced	LPG	6.80kW	5.60kW	C	82%	Prog. Thermostatic	Vermiculite	670	530	350
⊗ 134-328	Conventional	Nat. Gas	6.80kW	5.10kW	D	76%	Prog. Thermostatic	Brick-effect	670	530	350
⊗ 134-426	Conventional	LPG	6.70kW	5.00kW	D	76%	Prog. Thermostatic	Brick-effect	670	530	350
⊗ 134-359	Balanced	Nat. Gas	6.70kW	5.50kW	C	82%	Prog. Thermostatic	Brick-effect	670	530	350
⊗ 134-410	Balanced	LPG	6.80kW	5.60kW	C	82%	Prog. Thermostatic	Brick-effect	670	530	350
⊗ 134-265	Conventional	Nat. Gas	6.80kW	5.10kW	D	76%	Prog. Thermostatic	Black Glass	670	530	350
⊗ 134-691	Conventional	LPG	6.70kW	5.00kW	D	76%	Prog. Thermostatic	Black Glass	670	530	350
⊗ 134-081	Balanced	Nat. Gas	6.70kW	5.50kW	C	82%	Prog. Thermostatic	Black Glass	670	530	350
⊗ 134-573	Balanced	LPG	6.80kW	5.60kW	C	82%	Prog. Thermostatic	Black Glass	670	530	350

RIVA2 530 FRAME INFORMATION

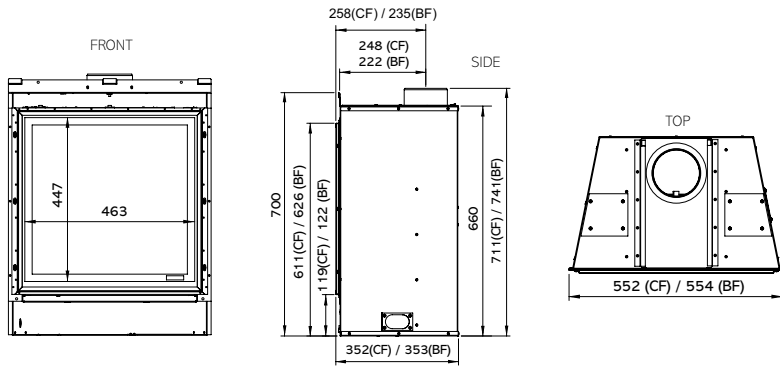
Description	Frame Finish	Product Code	Frame Size (mm)		
			w	h	d
Designio2 Steel	Graphite	934-187	610	704	38
Designio2 Steel	Iridium	934-187IR	610	704	38
Designio2 Glass	Black Glass	934-293	610	704	40
Evoke Steel*	Graphite	934-595	795	752	40
Evoke Glass*	Black Glass front with Graphite rear	934-417	795	752	40
Evoke Glass*	White Glass front with Graphite rear	934-476	795	752	40
Verve XS*	Graphite	934-441	690	835	59
Ellingham	Matt Black Cast Iron	934-433	815	759	75

RIVA2 670 FRAME INFORMATION

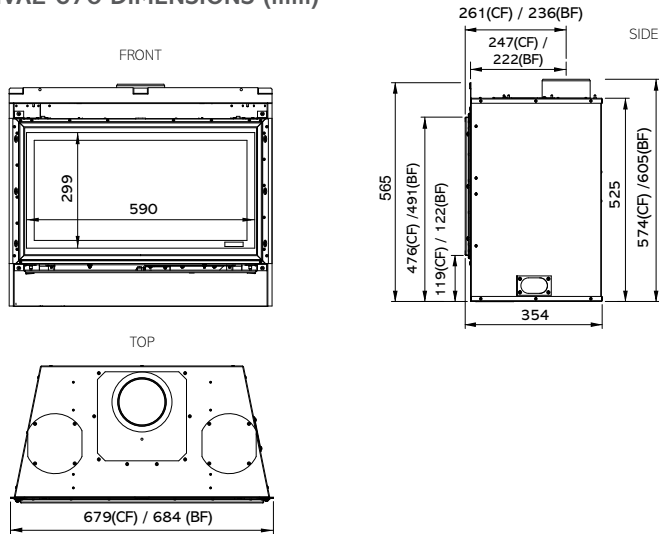
Description	Frame Finish	Product Code	Frame Size (mm)		
			w	h	d
Designio2 Steel	Graphite	934-238	735	569	38
Designio2 Steel	Iridium	934-238IR	735	569	38
Designio2 Glass	Black Glass	934-339	735	569	40
Evoke Steel*	Graphite	934-601	920	622	40
Evoke Glass*	Black Glass front with Graphite rear	934-529	920	622	40
Evoke Glass*	White Glass front with Graphite rear	934-558	920	622	40
Verve XS*	Graphite	934-143	1000	621	56
Ellingham	Matt Black Cast Iron	934-486	940	627	75

* These frames can also be selected in Ivory. Please use the product code provided with the following suffix for your choice of colour: Ivory (IV) - for example: Riva2 530 Evoke Black Glass in Ivory = 923-417IV

RIVA2 530 DIMENSIONS (mm)



RIVA2 670 DIMENSIONS (mm)



RIVA2 530 LINING OPTIONS

934-049	Riva2 530 Conventional Flue Black Reeded Lining Set
934-067	Riva2 530 Conventional Flue Vermiculite Lining Set
934-056	Riva2 530 Conventional Flue Brick-effect Lining Set
934-122	Riva2 530 Conventional Flue Black Glass Lining Set
934-070	Riva2 530 Balanced Flue Black Reeded Lining Set
934-088	Riva2 530 Balanced Flue Vermiculite Lining Set
934-074	Riva2 530 Balanced Flue Brick-effect Lining Set
934-148	Riva2 530 Balanced Flue Black Glass Lining Set

RIVA2 670 LINING OPTIONS

934-096	Riva2 670 Conventional Flue Black Reeded Lining Set
934-103	Riva2 670 Conventional Flue Vermiculite Lining Set
934-119	Riva2 670 Conventional Flue Brick-effect Lining Set
934-174	Riva2 670 Conventional Flue Black Glass Lining Set
934-127	Riva2 670 Balanced Flue Black Reeded Lining Set
934-111	Riva2 670 Balanced Flue Vermiculite Lining Set
934-137	Riva2 670 Balanced Flue Brick-effect Lining Set
934-200	Riva2 670 Balanced Flue Black Glass Lining Set

RIVA2 530 & 670 OPTIONS

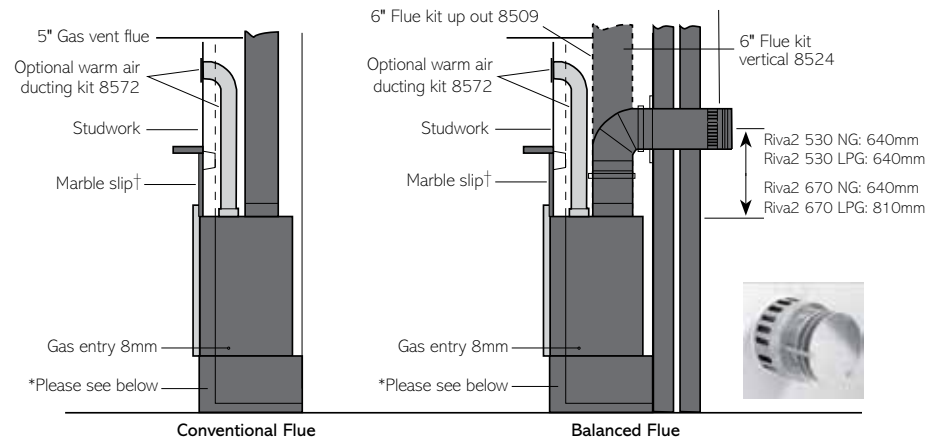
Product Code Description

8572	Warm Air Ducting Kit (2 outlets)
8524	Balanced Flue Kit - vertical (2x1000mm straight, 1x1000mm terminal)*
8509	Balanced Flue Kit - up and out (1x200mm straight, 1x500mm straight, 1 x 500mm terminal length, 1x90° bend)*
999-201	Horizontal Exit terminal guard (required for below 2m)
8736	Linerless kit for Riva2 530 and 670
999-620	Sequential system mains adaptor

*Additional flue pipe lengths and bends are available to extend the above kits

For more Balanced Flue information and options please refer to our Concentric Flue System brochure which can be viewed or downloaded online at www.gazco.com

ADDITIONAL INFORMATION FOR RIVA 530 AND RIVA 670



Diagrammatic representation only. Not accurate for installation purposes

NOTE: New 530 and 670 conventional flue connection system means easier installation. No access to flue connector required during installation.

†A marble slip with a minimum width of 150mm is recommended around ALL installations. No combustible material, including wallpaper, should be less than 150mm from the appliance.

*When installing below 150mm from the floor it is recommended that a 12mm thick non-combustible hearth is provided, extending 300mm in front and 150mm each side of the fire.

NOTE: Access to flue will be required during installation.

Riva2 500 Fires

FIRE INFORMATION

Product Code	Flue Type	Gas Type	Heat Input	Heat Output	Energy Efficiency Class	Efficiency	Remote Control	Lining	Opening Size (mm)		
									w	h	d
⊗ 134-070	Conventional	Nat. Gas	6.4kW	4.8kW	D	76%	Prog. Thermostatic	Black Reeded	560	565	350
⊗ 134-796	Conventional	LPG	6.4kW	4.8kW	D	76%	Prog. Thermostatic	Black Reeded	560	565	350
⊗ 134-118	Conventional	Nat. Gas	6.4kW	4.8kW	D	76%	Prog. Thermostatic	Vermiculite	560	565	350
⊗ 134-784	Conventional	LPG	6.4kW	4.8kW	D	76%	Prog. Thermostatic	Vermiculite	560	565	350
⊗ 134-147	Conventional	Nat. Gas	6.4kW	4.8kW	D	76%	Prog. Thermostatic	Brick-effect	560	565	350
⊗ 134-756	Conventional	LPG	6.4kW	4.8kW	D	76%	Prog. Thermostatic	Brick-effect	560	565	350
⊗ 134-026	Conventional	Nat. Gas	6.4kW	4.8kW	D	76%	Prog. Thermostatic	Black Glass	560	565	350
⊗ 134-435	Conventional	LPG	6.4kW	4.8kW	D	76%	Prog. Thermostatic	Black Glass	560	565	350
⊗ 134-382	Conventional	Nat. Gas	6.4kW	4.8kW	D	76%	Prog. Thermostatic	Ledgestone-effect	560	565	350
⊗ 134-766	Conventional	LPG	6.4kW	4.8kW	D	76%	Prog. Thermostatic	Ledgestone-effect	560	565	350
⊗ 134-275	Balanced	Nat. Gas	5.8kW	4.8kW	C	82%	Prog. Thermostatic	Black Reeded	560	565	350
⊗ 134-447	Balanced	LPG	5.7kW	4.7kW	C	82%	Prog. Thermostatic	Black Reeded	560	565	350
⊗ 134-308	Balanced	Nat. Gas	5.8kW	4.8kW	C	82%	Prog. Thermostatic	Vermiculite	560	565	350
⊗ 134-516	Balanced	LPG	5.7kW	4.7kW	C	82%	Prog. Thermostatic	Vermiculite	560	565	350
⊗ 134-321	Balanced	Nat. Gas	5.8kW	4.8kW	C	82%	Prog. Thermostatic	Brick-effect	560	565	350
⊗ 134-583	Balanced	LPG	5.7kW	4.7kW	C	82%	Prog. Thermostatic	Brick-effect	560	565	350
⊗ 134-346	Balanced	Nat. Gas	5.8kW	4.8kW	C	82%	Prog. Thermostatic	Black Glass	560	565	350
⊗ 134-682	Balanced	LPG	5.7kW	4.7kW	C	82%	Prog. Thermostatic	Black Glass	560	565	350
⊗ 134-333	Balanced	Nat. Gas	5.8kW	4.8kW	C	82%	Prog. Thermostatic	Ledgestone-effect	560	565	350
⊗ 134-731	Balanced	LPG	5.7kW	4.7kW	C	82%	Prog. Thermostatic	Ledgestone-effect	560	565	350

FRAME INFORMATION

Description	Frame Finish	Product Code	Frame Size (mm)		
			w	h	d
Icon XS	Black Glass	934-388	855	694	17
Verve XS	Graphite*	934-033	890	621	57
Ellingham	Matt Black Cast Iron	934-470	885	678	75
Evoke Glass	Black Glass front/ Graphite rear*	934-366	869	710	40
Evoke Glass	White Glass front/ Graphite rear*	934-397	869	710	40
Evoke Steel	Graphite front * and rear*	934-330	869	710	40

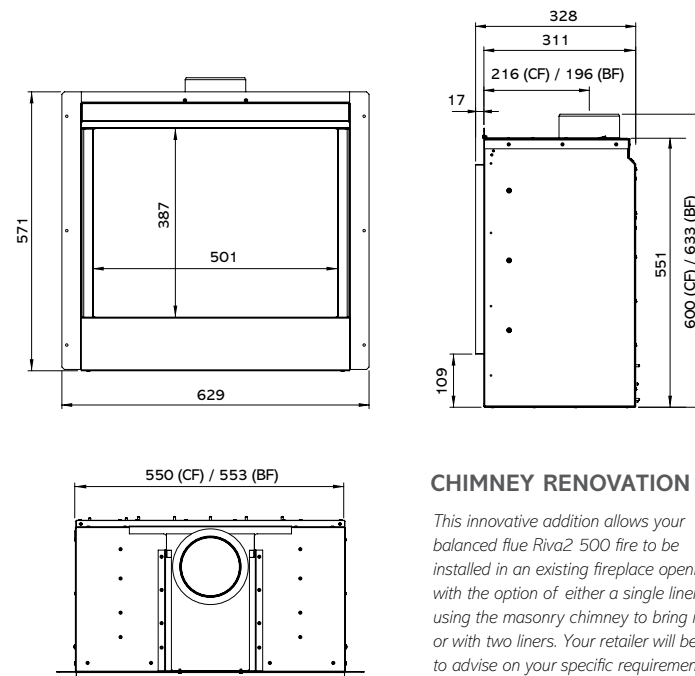
* These frames can also be selected in Ivory. Please use the product code provided with the following suffix for your choice of colour: Ivory (IV) - for example: Riva2 500 Verve XS in Ivory = 934-033IV

† For more Balanced Flue information please refer to our Concentric Flue System brochure which can be viewed at www.gazco.com

RIVA2 500 OPTIONS

Product Code	Description
934-005	Black Reeded Lining Set - Conventional Flue
934-021	Vermiculite Lining Set - Conventional Flue
934-030	Brick-effect Lining Set - Conventional Flue
934-018	Black Glass Lining Set - Conventional Flue
934-206	Ledgestone-effect Lining Set - Conventional Flue
934-159	Black Reeded Lining Set - Balanced Flue
934-181	Vermiculite Lining Set - Balanced Flue
934-203	Black Reeded Lining Set - Balanced Flue
934-109	Black Glass Lining Set - Balanced Flue
934-219	Ledgestone-effect Lining Set - Balanced Flue
999-620	Remote system mains adaptor
8572	Warm air ducting kit (2 outlets) - Balanced Flue
8509	Balanced flue kit - up and out †
8524	Balanced flue kit - vertical †
999-201	Horizontal Exit terminal guard (required for below 2m) †
928-315	Chimney Renovation Kit

RIVA2 500 DIMENSIONS (mm)



CHIMNEY RENOVATION KIT

This innovative addition allows your balanced flue Riva2 500 fire to be installed in an existing fireplace opening with the option of either a single liner using the masonry chimney to bring in air or with two liners. Your retailer will be able to advise on your specific requirements. See page 99 for diagram.



Riva2 500 Ellingham with Black Reeded lining

Riva2 750HL Fires

FIRE INFORMATION

Product Code	Flue Type	Gas Type	Heat Input	Heat Output	Energy Efficiency Class	Efficiency	Remote Control	Lining	Opening Size (mm)		
									w	h	d
134-089	Conventional flue	Nat. Gas	8.70kW	7.10kW	C	81%	Prog. Thermostatic	Black Reeded	816	885	350
134-489	Conventional flue	LPG	9.20kW	7.50kW	C	81%	Prog. Thermostatic	Black Reeded	816	885	350
134-113	Conventional flue	Nat. Gas	8.70kW	7.10kW	C	81%	Prog. Thermostatic	Fluted Vermiculite	816	885	350
134-501	Conventional flue	LPG	9.20kW	7.50kW	C	81%	Prog. Thermostatic	Fluted Vermiculite	816	885	350
134-139	Conventional flue	Nat. Gas	8.70kW	7.10kW	C	81%	Prog. Thermostatic	Brick-effect	816	885	350
134-528	Conventional flue	LPG	9.20kW	7.50kW	C	81%	Prog. Thermostatic	Brick-effect	816	885	350
134-020	Conventional flue	Nat. Gas	8.70kW	7.10kW	C	81%	Prog. Thermostatic	Black Glass	816	885	350
134-632	Conventional flue	LPG	9.20kW	7.50kW	C	81%	Prog. Thermostatic	Black Glass	816	885	350
134-039	Conventional flue	Nat. Gas	8.70kW	7.10kW	C	81%	Prog. Thermostatic	Ledgestone-effect	816	885	350
134-561	Conventional flue	LPG	9.20kW	7.50kW	C	81%	Prog. Thermostatic	Ledgestone-effect	816	885	350
134-033	Balanced flue	Nat. Gas	8.40kW	7.20kW	B	86%	Prog. Thermostatic	Black Reeded	816	885	380
134-421	Balanced flue	LPG	8.20kW	7.10kW	B	86%	Prog. Thermostatic	Black Reeded	816	885	380
134-047	Balanced flue	Nat. Gas	8.40kW	7.20kW	B	86%	Prog. Thermostatic	Fluted Vermiculite	816	885	380
134-439	Balanced flue	LPG	8.20kW	7.10kW	B	86%	Prog. Thermostatic	Fluted Vermiculite	816	885	380
134-059	Balanced flue	Nat. Gas	8.40kW	7.20kW	B	86%	Prog. Thermostatic	Brick-effect	816	885	380
134-466	Balanced flue	LPG	8.20kW	7.10kW	B	86%	Prog. Thermostatic	Brick-effect	816	885	380
134-084	Balanced flue	Nat. Gas	8.40kW	7.20kW	B	86%	Prog. Thermostatic	Black Glass	816	885	380
134-495	Balanced flue	LPG	8.20kW	7.10kW	B	86%	Prog. Thermostatic	Black Glass	816	885	380
134-076	Balanced flue	Nat. Gas	8.40kW	7.20kW	B	86%	Prog. Thermostatic	Ledgestone-effect	816	885	380
134-480	Balanced flue	LPG	8.20kW	7.10kW	B	86%	Prog. Thermostatic	Ledgestone-effect	816	885	380

RIVA2 750HL FRAME INFORMATION

Description	Frame Finish	Product Code	Frame Size (mm)		
			w	h	d
Verve XS*	Graphite	934-213	1202	1005	57
Evoke Glass*	Black Glass front & Graphite rear	934-245	1117	1034	42
Evoke Glass*	White Glass front & Graphite rear	934-264	1117	1034	42
Evoke Steel*	Graphite front & rear	934-281	1117	1034	42
Icon XS	Black Glass	934-371	1089	1015	17

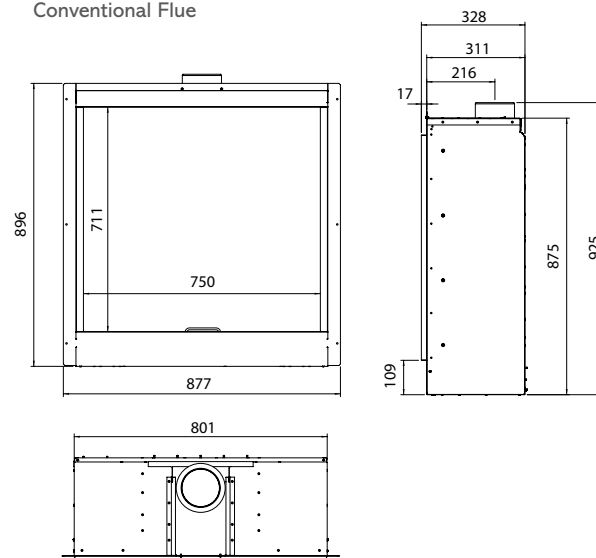
CHIMNEY RENOVATION KIT

This innovative addition allows your balanced flue Riva2 750HL fire to be installed in an existing fireplace opening with the option of either a single liner using the masonry chimney to bring in air or with two liners. Your retailer will be able to advise on your specific requirements. See page 99 for diagram.

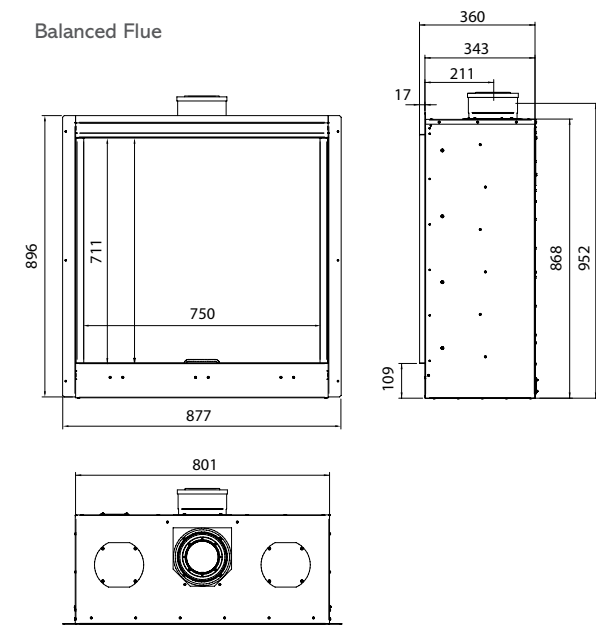
* These frames can also be selected in Ivory. Please use the product code provided with the following suffix for your choice of colour: Ivory (IV) - for example: Riva2 750HL Evoke Glass in Black Glass with Ivory rear section = 923-245IV

RIVA2 750HL DIMENSIONS (mm)

Conventional Flue



Balanced Flue



RIVA2 750HL OPTIONS

Product Code	Description
934-011	CF Black Reeded Lining Set
934-053	CF Fluted Vermiculite Lining Set
934-060	CF Brick-effect Lining Set
934-226	CF Black Glass Lining Set
934-284	CF Ledgestone-effect Lining Set
934-037	BF Black Reeded Lining Set
934-062	BF Fluted Vermiculite Lining Set
934-077	BF Brick-effect Lining Set
934-086	BF Black Glass Lining Set
9340091	BF Ledgestone-effect Lining Set
999-620	Remote System Mains Adaptor
928-315	Chimney Renovation Kit

Riva2 800 Fires

RIVA2 800 FIRE INFORMATION

Product Code	Flue Type	Gas Type	Heat Input	Heat Output	Energy Efficiency Class	Efficiency	Lining	Remote Control	Opening Size (mm)		
									w	h	d
⊗ 134-099	Balanced	Nat. Gas	9.50kW	7.98kW	C	84%	Vermiculite	Prog. Thermostatic	906	1105	391
⊗ 134-412	Balanced	LPG	8.80kW	7.39kW	C	84%	Vermiculite	Prog. Thermostatic	906	1105	391
⊗ 134-110	Balanced	Nat. Gas	9.50kW	7.98kW	C	84%	Black Reeded	Prog. Thermostatic	906	1105	391
⊗ 134-461	Balanced	LPG	8.80kW	7.39kW	C	84%	Black Reeded	Prog. Thermostatic	906	1105	391

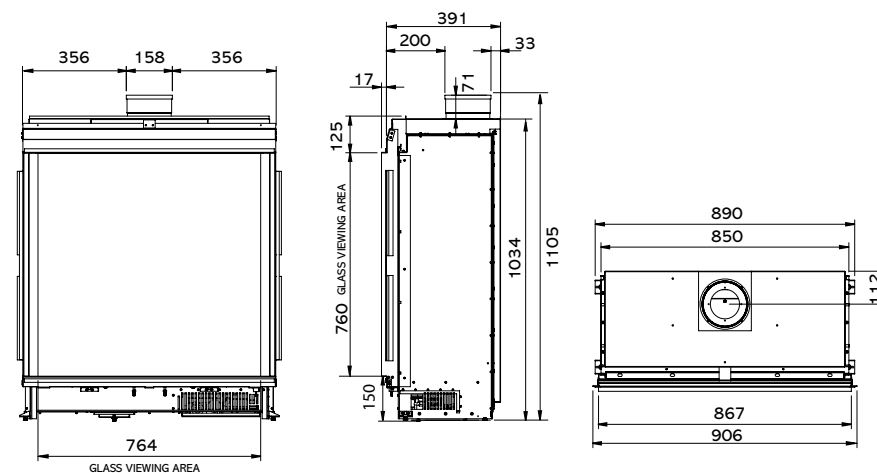
RIVA2 800 FRAME INFORMATION

Product Code	Description	Frame Finish	Frame Size (mm)		
			w	h	d
934-325	Icon XS	Black Glass	1263	1158	30
934-064	Sorrento	Natural Limestone	1260	1009	200
934-302	Sorrento	Graphite Granite	1260	1009	200
9002CLWM	Claremont (requires slip set)	Antique White Marble	1555	1143	190
9002CLTL	Claremont (requires slip set)	Limestone	1555	1143	190
9000CAWM	Cavendish Bolection (requires slip set)	Antique White Marble	1460	1320	207
9000CATL	Cavendish Bolection (requires slip set)	Limestone	1460	1320	207
9001GEWM	Georgian Roundel (requires slip set)	Antique White Marble	1460	1082	200
9001GETL	Georgian Roundel (requires slip set)	Limestone	1460	1082	200
9003GRWM	Grafton (requires slip set)	Antique White Marble	1415	1165	105
9003GRTL	Grafton (requires slip set)	Limestone	1415	1165	105
9004VIWM	Victorian Corbel (requires slip set)	Antique White Marble	1525	1170	250
9004VITL	Victorian Corbel (requires slip set)	Limestone	1525	1170	250
9005SAWM	Sandringham (requires slip set)	Antique White Marble	1550	1220	227
9005SATL	Sandringham (requires slip set)	Limestone	1550	1220	227
934-670	Slip set for Stone Mantel	Antique White Marble	N/A	N/A	N/A
934-553	Slip set for Stone Mantel	Limestone	N/A	N/A	N/A
934-241	Small Hearth for Stone Mantel	Antique White Marble	1524	53	228
934-193	Small Hearth for Stone Mantel	Limestone	1524	53	228
934-489	Large Hearth for Stone Mantel	Antique White Marble	1625	53	457
934-351	Large Hearth for Stone Mantel	Limestone	1625	53	457

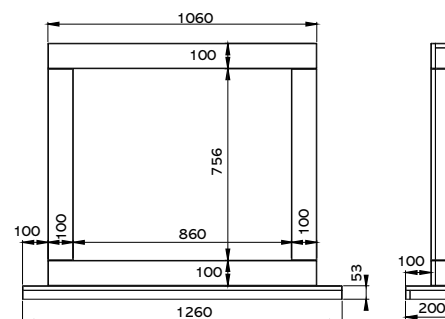
RIVA2 800 OPTIONS

Product Code	Description
8534	Balanced flue kit - up and out (1x198mm straight, 1x500mm terminal length, 1x90° bend)*
8524	Balanced flue kit - vertical (2x1000mm straight, 1x1000 terminal length*)
934-152	Riva2 800 Black Reed Lining Set
999-440	Riva2 800 Tiled Wall Fitting Kit
999-315	Chimney Renovation Kit (see page 128)
999-201	Horizontal Exit terminal guard (required for below 2m)
999-620	Remote System Mains Adaptor

RIVA2 800 DIMENSIONS (mm)



RIVA2 800 SORRENTO DIMENSIONS (mm)



*Additional flue pipe lengths and bends are available to extend the above kits

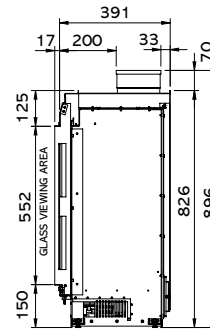
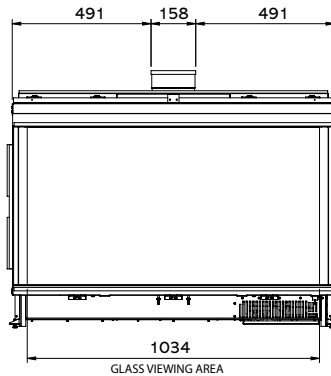
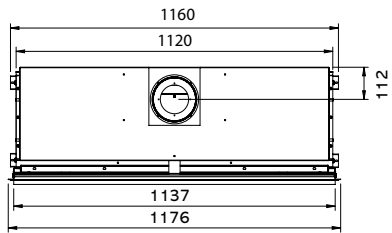
For more Balanced Flue information and options please refer to our Concentric Flue System brochure which can be viewed or downloaded online at www.gazco.com

Riva2 1050 Fires

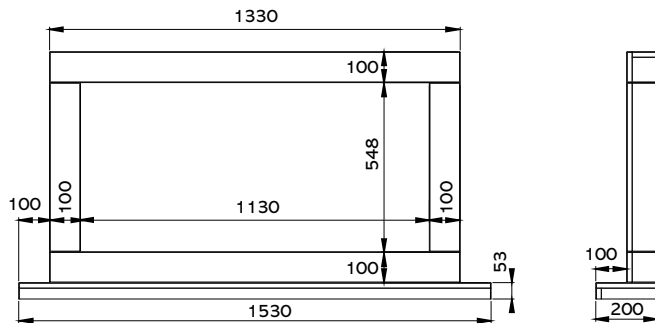
RIVA2 1050 FIRE INFORMATION

Product Code	Flue Type	Gas Type	Heat Input	Heat Output	Energy Efficiency Class	Efficiency	Remote Control	Lining	Opening Size (mm)		
									w	h	d
⊗ 134-136	Balanced	Nat. Gas	9.50kW	7.98kW	C	84%	Prog. Thermostatic	Vermiculite	1176	896	391
⊗ 134-493	Balanced	LPG	8.80kW	7.39kW	C	84%	Prog. Thermostatic	Vermiculite	1176	896	391
⊗ 134-178	Balanced	Nat. Gas	9.50kW	7.98kW	C	84%	Prog. Thermostatic	Black Reeded	1176	896	391
⊗ 134-544	Balanced	LPG	8.80kW	7.39kW	C	84%	Prog. Thermostatic	Black Reeded	1176	896	391

RIVA2 1050 DIMENSIONS (mm)



RIVA2 1050 SORRENTO DIMENSIONS (mm)



RIVA2 1050 OPTIONS

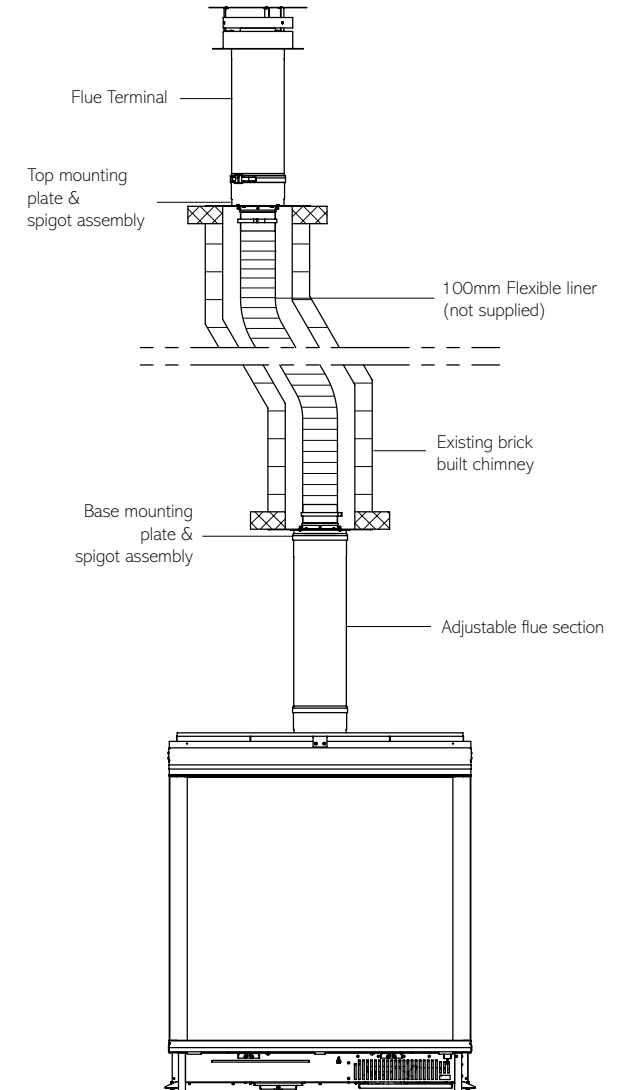
Product Code	Description
8523	Riva2 Balanced flue kit (1050 only) - up and out (1x500mm straight, 1x500mm terminal length, 1x90° bend)
8524	Balanced flue kit - vertical (2x1000mm straight, 1x1000 terminal length*)
934-260	Riva2 1050 Black Reeded Lining Set
999-321	Riva2 1050 Tiled Wall Fitting Kit
999-315	Chimney Renovation Kit
999-201	Horizontal Exit terminal guard (required for below 2m)
999-620	Remote System Mains Adaptor

*Additional flue pipe lengths and bends are available to extend the above kits

For more Balanced Flue information and options please refer to our Concentric Flue System brochure which can be viewed or downloaded online at www.gazco.com

CHIMNEY RENOVATION KIT FOR RIVA2 500, 750HL, 800, 1050 & ECLIPSE 100

This innovative addition allows your balanced flue Riva2 500, 750HL, 800, 1050 or Eclipse 100 fire to be installed in an existing fireplace opening with the option of either a single liner using the masonry chimney to bring in air or with two liners. Your retailer will be able to advise on your specific requirements.



RIVA2 1050 FRAME INFORMATION

Product Code	Description	Frame Finish	Opening Size (mm)		
			w	h	d
934-501	Sorrento	Natural Limestone	1530	801	200
934-653	Sorrento	Graphite Granite	1530	801	200
934-334	Icon XS	Black Glass	1533	951	30

Stone Mantels

STONE MANTEL INFORMATION

Product Code	Description	Frame Finish	w	h	d
9002CLWM	Claremont (requires slip set)	Antique White Marble	1555	1143	190
9002CLTL	Claremont (requires slip set)	Limestone	1555	1143	190
9000CAWM	Cavendish Bolection (requires slip set)	Antique White Marble	1460	1320	207
9000CATL	Cavendish Bolection (requires slip set)	Limestone	1460	1320	207
9001GEWM	Georgian Roundel (requires slip set)	Antique White Marble	1460	1082	200
9001GETL	Georgian Roundel (requires slip set)	Limestone	1460	1082	200
9003GRWM	Grafton (requires slip set)	Antique White Marble	1415	1165	105
9003GRTL	Grafton (requires slip set)	Limestone	1415	1165	105
9004VIWM	Victorian Corbel (requires slip set)	Antique White Marble	1525	1170	250
9004VITL	Victorian Corbel (requires slip set)	Limestone	1525	1170	250
9005SAWM	Sandringham (requires slip set)	Antique White Marble	1550	1220	227
9005SATL	Sandringham (requires slip set)	Limestone	1550	1220	227

HEARTH INFORMATION

934-241	Small Hearth for Stone Mantel	Antique White Marble	1524	53	228
934-193	Small Hearth for Stone Mantel	Limestone	1524	53	228
934-489	Large Hearth for Stone Mantel	Antique White Marble	1625	53	457
934-351	Large Hearth for Stone Mantel	Limestone	1625	53	457

RIVA2 750HL SLIP SETS INFORMATION

934-790	Slip set for Riva2 750HL Stone Mantel	Antique White Marble	N/A	N/A	N/A
934-121	Slip set for Riva2 750HL Stone Mantel	Limestone	N/A	N/A	N/A

RIVA2 800 SLIP SETS INFORMATION

934-670	Slip set for Riva2 800 Stone Mantel	Antique White Marble	N/A	N/A	N/A
934-553	Slip set for Riva2 800 Stone Mantel	Limestone	N/A	N/A	N/A

SMALL & LARGE STONE HEARTHES

Gazco's selection of beautiful stone hearths include either small or large sizes in both Antique White Marble and Limestone options. The large size is styled with a stepped edge design whilst the small has a flush finish.



Small Hearth



Large Hearth

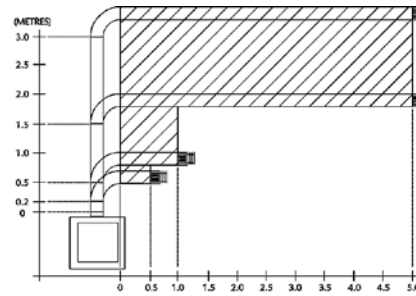


Riva2 750HL Edge with Ledgestone-effect lining and Grafton Mantel, slip sets and hearth in Antique White Marble

Balanced Flue Options

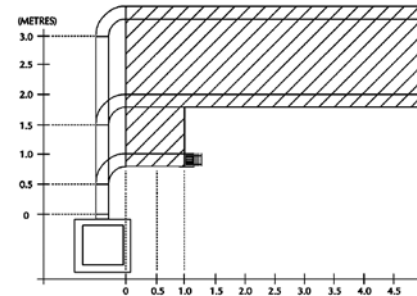
Gazco offers a comprehensive range of balanced flue system components. Please refer to our dedicated Concentric Flue System brochure which can be requested from your retailer or viewed online at www.gazco.com.

Vertical from the top of the appliance then horizontally out



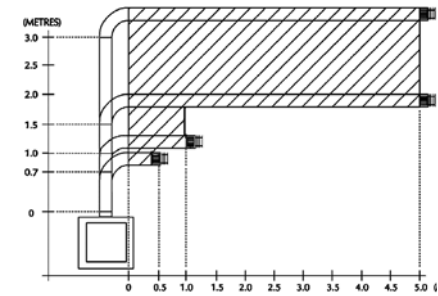
Riva2 800

Vertical from the top of the appliance then horizontally out



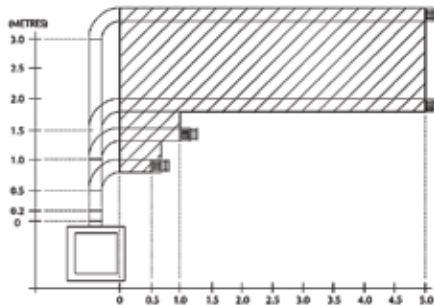
Riva2 530 Nat Gas/LPG
& Riva2 670 Nat Gas

Vertical from the top of the appliance then horizontally out



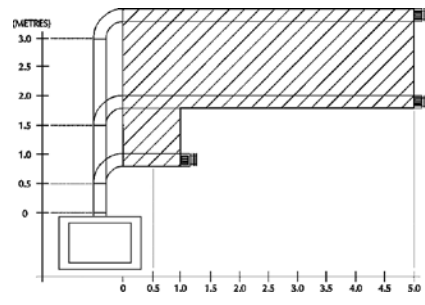
Riva2 670 LPG &
Riva2 750HL Nat Gas & LPG

Vertical from the top of the appliance then horizontally out



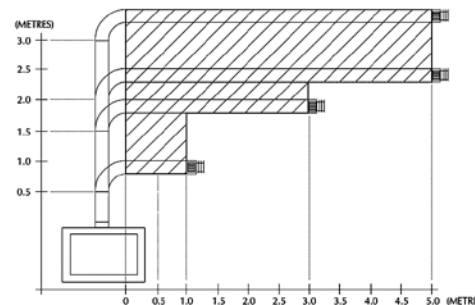
Riva2 500

Vertical from the top of the appliance then horizontally out



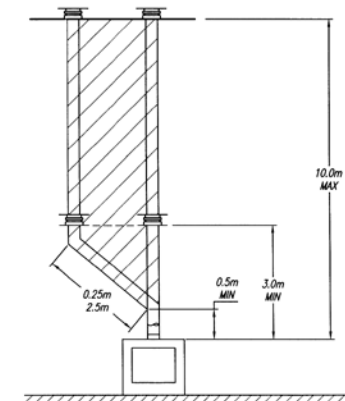
Riva2 1050 only

Vertical from the top of the appliance then horizontally out



Eclipse 100 only

Vertical from the top of the appliance



Important Information

Technical Specifications

All specifications given in this brochure are approximate. Actual specifications for each individual product will vary according to model. Your Gazco retailer will be pleased to provide any further information you require. Alternatively you may view or download specification sheets from www.gazco.com

Installation and Safety

Gazco gas fires must be fitted by a qualified gas installer (Gas Safe registered in the United Kingdom or RGII registered in the Republic of Ireland) who should also verify the proposed site conditions are fully suitable for the product selected. Complete installation instructions for many models can be obtained prior to purchase by viewing or downloading them from www.gazco.com. Please note that all parts of these fires, particularly the glass panel in the door, become extremely hot during operation and can result in serious injury and burns if touched. It is therefore recommended that a fireguard complying with BS 8423:2002 is used in the presence of young children, the elderly or infirm.

Colours/Flame pictures

Owing to variations in studio lighting and printing inks, the finishes/colours of fires illustrated in this brochure may differ slightly from actual models. Before purchasing, please ask your retailer to show you finish/colour samples. Whilst all the flame pictures shown in this brochure are of actual fires, flame pictures may vary depending on the installation, flue conditions and geographical/surrounding features that may effect the efficiency of the flue.

Care and maintenance

Traditional materials, such as polished steel and brass, tarnish on contact with air, especially when also exposed to heat. To help minimise this effect, we recommend fires receive regular treatment with suitable proprietary cleaners. Additionally, please remember that gas fires will require servicing annually by a qualified gas installer (Gas Safe registered in the United Kingdom or Bord Gáis registered in the Republic of Ireland).

Warranty and Product Improvement

Your Gazco Expert Retailer will provide you with a Two Year Warranty for your new gas fire. This can be extended to a Five Year Warranty provided your fire has been registered with Gazco. The second and subsequent years are dependant on the appliance being serviced 12 months after installation and annually thereafter and exclude certain consumable parts. Fires purchased outside of Gazco's Expert Retailer Network will carry a standard 1 Year Non-Extendable Warranty. Full warranty terms and conditions are available to view at www.gazco.com.



Gazco pursue a policy of continuous product improvement, therefore, whilst our products are correct at the time of the photography, we reserve the right to make alterations and amendments. Exact product details should be discussed with your retailer at the time of purchase.

Air Ventilation for Gas Fires

To comply with gas appliance installation regulations, the Riva2 750HL conventional flue requires additional ventilation into your room. For further information, please consult either your Gazco retailer or the Gazco Technical Information on our website www.gazco.com to confirm the ventilation required. All other fires featured in this brochure do not require additional ventilation.

Gazco gratefully acknowledges the assistance of the following companies with photographic settings:

Furnishings and Ornaments:- www.amara.com; www.furniturevillage.co.uk; www.johnlewis.com; www.lauraashley.com; www.faginsantiques.com; www.theorangetree.co.uk; www.habitat.co.uk; www.houseoffraser.co.uk; www.ashorejewellery.co.uk; www.eclectique.co.uk; www.debenhams.com; www.next.co.uk; www.mokodirect.co.uk; www.marksandspencer.com; www.rockettstgeorge.co.uk; www.frenchconnection.com; www.wayfair.co.uk; www.urbanoutfitters.com/uk; www.tkmaxx.com; www.homesense.com; www.next.co.uk; www.coxandcox.co.uk; www.urbanara.co.uk; www.woofenden.com; www.amtico.com; www.opiesuk.co.uk; www.graceandgloryhome.co.uk; www.chunkymonkeyfurniture.co.uk; www.desenio.co.uk • **Lighting:-** www.amoslighting.co.uk • **Wood Mantels:-** www.stovax.com • **Stone Mantels:-** www.farmington.co.uk; www.bnsp.co.uk; www.grandisson.com; www.rudloe-stone.com • **Wood flooring:-** www.beechbros.co.uk • **Tiles & Stone floors:-** www.originalstyle.com • **Televisions:-** www.heavitreeradio.co.uk • **Plants:-** www.stbridgetnurseries.co.uk • **Paintings:-** www.easycart.com







Riva2 530 Designio2 Glass with EchoFlame Black Glass Lining



Gazco Limited

Osprey Road, Sowton Industrial Estate, Exeter, Devon, England EX2 7JG
Tel: 01392 261999 • Fax: 01392 444148 • E-mail: info@gazco.com • www.gazco.com



To view & download our complete range of brochures, simply scan this code or visit www.gazco.com

Your Gazco stockist:	£3.00
	