

THE  
COLLECTION

---

by Michael Miller

25

YEAR GUARANTEE



LEADING BY DESIGN

# THE COLLECTION

by Michael Miller

Beauty, warmth, a work of art... discover The Collection

---



When I imagine my ideal home, I imagine the perfect combination of form and function. And right at the heart of my home, a fire that impresses me with its looks, its innovation and its energy efficiency.

A fire is never just a fire. It's a statement of style that brings a home to life. So, we've crafted this stunning collection of unique gas fires – each of them created to offer you the highest quality and superb energy efficiency. They look beautiful; they work beautifully.

I'm proud of The Collection, and I have absolute confidence in the quality, reliability and durability – so much confidence, in fact, that I offer a full 25 year guarantee.

You'll find more details about our guarantee in this brochure, along with all the inspiration and information you need. I hope you enjoy choosing your new fire.

A handwritten signature in black ink that reads "Michael Miller".



## Contents

5	Introduction	7	25 year guarantee, product testing and certification
---	--------------	---	--

### THE COLLECTION GAS FIRES

8	Glimpse	14	Luxe
10	Glimpse Duplex	16	Carmelo HE
12	Glimpse Triplex	18	Florentine

### THE COLLECTION SUITES

20	Avelli Illumia	32	Parada Illumia 54S
22	Boticelli Florentine	34	Da Vinci Illumia
24	Angelo Florentine	36	Distinction Illumia
26	Pablo Florentine	38	Monet Illumia
28	Parada Elite Illumia 58L & 54L	40	Boticelli Illumia Slimline
30	Parada Illumia 58L & 54L	42	Da Vinci Illumia Slimline

44	Multifunctional Remote Control	46	Dimensions Fires & Suites
45	False Chimney Kits	52	Balanced Flue Installations

### ONLINE VIDEO

Wherever you see this symbol, use the QR code scanner app on your smartphone or mobile device to watch a short video of this fire.

## Style and efficiency... crafted in Britain

Turn the pages of this brochure, and you'll see stunning fires with the power to transform a room - fabulous open-sided models, sleek 'hole in the wall' designs and easy-to-install fires that don't need a chimney.

Each of our models starts from a design concept nurtured by our research and development team. Before we even start to manufacture, the model is assessed and approved by leading independent organisations. Each fire is then made with the utmost care in our state-of-the-art development and manufacturing site here in the UK. And only when a fire has been rigorously checked by our quality control department does it leave our hands.

Choose a fire from The Collection, and you can rest assured the beauty is more than skin-deep. Behind the sleek glass and warming flames lie technological innovation and dedicated craftsmanship, backed by a 25 year guarantee.



### CRAFTED IN BRITAIN

Every gas fire in The Collection by Michael Miller range is developed and manufactured in Britain at our purpose built state-of-the-art facility in Staffordshire.



### ECODESIGN COMPLIANT

This logo signifies that the product is fully compliant with the Eco design directive Commission Regulation (EU) 2015/1188.



## high efficiency

---

BFM Europe Ltd has always had a reputation as a manufacturer of some of the most efficient fires on the market. Now we are setting new industry standards with The Collection by Michael Miller range and providing exceptional heat output combined with lower running costs compared to standard gas fires.

All gas fires in this range feature a glass panel across the front of the fire which radiates the heat generated from the fuel bed directly into the room. The glass panel concentrates the radiant heat generated by the flame effect and projects it directly into the room to ensure that more heat is used to warm the room and less is lost through the chimney.

This radiant heat is combined with convected heat which is produced by cool air drawn into the fire through the heat exchanger and emitted as warm air through the gap above the canopy. This is what makes our gas fires some of the most efficient available.

Many of the fires found in this brochure have a balanced flue system, designed for those who want all the benefits of a gas fire but don't have a built in chimney or flue in their home. They work in much the same way as our conventional flue fires but come with their own flue terminal which is vented directly through an outside wall or via the roof of your home. Several of our balanced flue fires, including the Glimpse range, can be purchased with either a horizontal or vertical flue kit to give you more flexibility in the location of your fireplace.

More information about balanced flue kits can be found on page 52 to 54.

25  
YEAR GUARANTEE

---

Every gas fire in The Collection carries a 25 year Comprehensive Guarantee† providing you with reassurance and peace of mind for many years to come.

This means that we will guarantee your fire for 25 years against manufacturing and material defects, including parts and labour, subject to our 'Conditions of guarantee' including annual service and annual replacement of the oxy-pilot/thermocouple assembly.

We offer this guarantee, unlike any other gas fire manufacturer, as a sign of our commitment to the highest standards of build quality, safety and performance. In line with gas industry practice, we advise that all our gas fires are installed and serviced annually\* by a Gas Safe Register engineer to ensure continued safe operation and optimum performance throughout the lifetime of the product.

† Applicable only to gas fire engines. Fire Surrounds and fascias carry a 12 month guarantee. \* This is also a requirement of your 25 year Guarantee.

bsi.

---

## Product Testing & Certification

All our gas fires are independently tested, approved and verified by the British Standards Institution (BSI) to meet the latest standards for performance, safety and efficiency.

The BSI is an independent organisation. They are not owned by the government, industry or shareholders, which means that they can be totally objective with regards testing and certification. This gives their assessments more authority than those of an organization that has a vested interest in promoting its members.

They have some of the most experienced and knowledgeable staff in the world and are recognised internationally for their technical expertise, quality services and in-depth knowledge of gas and electrical product testing and certification.

The wide-ranging capability of their testing facilities and the broad expertise and knowledge of their testing and certification staff ensures our products are rigorously tested with the utmost integrity.

## Glimpse



The ideal fireplace for a modern open plan home, the Glimpse is a magnificent centrepiece for the heart of your home or a beautiful, functioning room divider.

This two-sided glass fire allows you to separate a large living area to create different functional spaces, such as, a dining area and a lounge area, whilst still maintaining an open plan feel as you can see straight through the fire to the other part of the room.

The Glimpse features a zigzag burner which creates a stunning dancing flame picture which is further enhanced by the log fuel effect and dazzling glowing embers. It even comes with built in, fully dimmable halogen lighting which can be used with or without the fire being lit.

This balanced flue gas fire can be purchased with a choice of horizontal or vertical flue kit so can be installed almost anywhere in the room. Installation of the appliance is made easier and more flexible with two flue outlet positions, integrated adjustable legs and the option to purchase a false chimney kit consisting of metal studwork which can be clad with the fitters' choice of high temperature board.\* (see page 45 for further details).

### BALANCED FLUE

#### ENGINE

*Model* Glimpse

*Safety* Flame Supervision Device

*Gas type* Natural Gas

*Flue type* Balanced Flue (Horizontal & Vertical Kits available  
– see page 52 onwards)

*Control type* Multifunctional Remote Control (see page 44)

#### SPECIFICATIONS

*Useful energy efficiency* 76.6%

*Energy efficiency class* E

*Direct heat output* 6.8kW

*Model Number*

DCHLSTRN

\* not supplied by BFM





## Glimpse Duplex



The Glimpse Duplex has been designed to create not only a highly efficient secondary heat source but also a fascinating visual focal point. Showcasing a two sided view of an enticing log effect fire, the Duplex is ideal for installation into the corner of a room.

This imposing gas fire offers a Direct heat output of 6.8kW and comes with a host of stylish features including a glossy black enamel interior, a highly realistic log fuel effect and fully dimmable halogen lighting which can be used with or without the fire being lit. The Duplex is operated by a chic remote control handset with thermostatic function which allows you to pre-set your desired temperature level so that your room never gets too warm.

This balanced flue gas fireplace can be purchased with a choice of horizontal or vertical flue kit and with both left and right side versions of the fire available it can be installed almost anywhere in your room.

Installation of the appliance is made easier and more flexible with two flue outlet positions, integrated adjustable legs and the option to purchase a false chimney kit consisting of metal studwork which can be clad with the fitters' choice of high temperature board.\* (see page 45 for further details).

### BALANCED FLUE

#### ENGINE

*Model* Glimpse Duplex

*Safety* Flame Supervision Device

*Gas type* Natural Gas

*Flue type* Balanced Flue (Horizontal & Vertical Kits available  
– see page 52 onwards)

*Control type* Multifunctional Remote Control (see page 44)

#### SPECIFICATIONS

*Useful energy efficiency* 76.6%

*Energy efficiency class* E

*Direct heat output* 6.8kW

*Model Number*

DCHLCLRN (LH)

DCHLCRRN (RH)

\* not supplied by BFM



## Glimpse Triplex



The Glimpse Triplex is the epitome of luxury featuring a three sided view of mesmerizing dancing flames across a log fuel effect, highlighted by glossy black enamel interior.

This balanced flue gas fireplace can be purchased with a choice of horizontal or vertical flue kit so can be installed almost anywhere in the room making it an ideal room divider in a large open plan living space.

The Glimpse Triplex has a direct heat output of 6.8kW and comes with fully dimmable halogen lighting which can be used with or without the fire being lit. All this is operated by a stylish remote control handset with thermostatic function which allows you to pre-set your desired temperature level so that your room never gets too warm.

Installation of the appliance is made easier and more flexible with two flue outlet positions, integrated adjustable legs and the option to purchase a false chimney kit consisting of metal studwork which can be clad with the fitters' choice of high temperature board.\* (see page 45 for further details).

### BALANCED FLUE

#### ENGINE

*Model* Glimpse

*Safety* Flame Supervision Device

*Gas type* Natural Gas

*Flue type* Balanced Flue (Horizontal & Vertical Kits available – see page 52 onwards)

*Control type* Multifunctional Remote Control (see page 44)

#### SPECIFICATIONS

*Useful energy efficiency* 76.6%

*Energy efficiency class* E

*Direct heat output* 6.8kW

*Model Number*

DCHL3SRN

\* not supplied by BFM





## Luxe

A combination of elegance and performance makes the Luxe an extremely desirable gas fireplace. Its perfectly proportioned glass frame provides a three-side view of one of the most stunning flame effects available today.

The Luxe features a driftwood fuel bed with glowing embers and a glossy black enamel back panel which reflects its enchanting flames, and is operated by a stylish remote control handset with a thermostatic function which allows you to pre-set your desired temperature level so that you are never too cold or too warm.

This balanced flue gas fireplace can be purchased with a choice of horizontal or vertical flue kit so can be installed almost anywhere in your home and offers an exceptional 76.4% net energy efficiency with a heat output of 6.7kW.

Installation of the appliance is made easy with integrated adjustable legs and the option to purchase a false chimney kit consisting of metal studwork which can be clad with the fitters' choice of high temperature board\*.  
(see page 45 for further details).

### BALANCED FLUE

#### ENGINE

*Model* Luxe

*Safety* Flame Supervision Device

*Gas type* Natural Gas

*Flue type* Balanced Flue (Horizontal & Vertical Kits available  
– see page 52 onwards)

*Control type* Multifunctional Remote Control (see page 44)

#### SPECIFICATIONS

*Useful energy efficiency* 76.4%

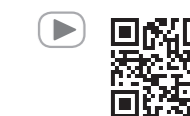
*Energy efficiency class* E

*Direct heat output* 6.7kW

*Model Number*

DCHLLXRN

\* not supplied by BFM







## Carmelo HE



With its large size and enchanting flame picture the Carmelo HE hole in the wall balanced flue gas fire is certainly a show-stopper and it provides exceptional performance too.

If you're looking for luxury combined with exceptional heat output then the Carmelo HE is the ideal gas fire for you. With a viewing area measuring 1145mm along with an enchanting flame picture reflecting in its glossy black enamel interior, this hole in the wall balanced flue gas fire has a heat output of 6.4kW and 75.4% Useful energy efficiency, providing exceptional performance too.

What's more this fire can be installed almost anywhere in the home since it uses a balanced flue system with a choice of horizontal flue, vertical flue or chimney conversion flue kits available to choose from. Both log and white stone fuel beds are supplied with every fire.

### BALANCED FLUE

#### ENGINE

*Model* Carmelo HE

*Safety* Flame Supervision Device

*Gas type* Natural Gas or LPG

*Flue type* Balanced Flue (Horizontal & Vertical Kits available – see page 52 onwards)

*Control type* Fully Automatic Remote with Thermostatic Control

#### SPECIFICATIONS

*Natural Gas*

*Useful energy efficiency* 75.4%

*Energy efficiency class* E

*Direct heat output* 6.4kW

*Model Number*

DCML00RN2

*LPG*

*Useful energy efficiency* 75.4%

*Energy efficiency class* E

*Direct heat output* 6.6kW

*Model Number*

DCML00RP2

#### CHOICES

*Fuel effect* White Stones or Logs





## Florentine



The Florentine gas fire has been designed with perfect proportions to give you a large flame viewing area yet still enable installation in to most standard chimneys.

This highly efficient, non reflective glass fronted fire has a direct heat output of 3.9kW. It is operated by a fully automatic remote control system which allows you to select the times you want the fires to automatically turn on and turn off and includes a thermostatic setting to allow you to pre-set your desired room temperature.

The conventional flue model features a stunning raised style log effect fuel bed, which has a flatter appearance in the balanced flue option.

The Florentine is available with a choice of 2 interior panel designs, rustic brick effect or glossy black enamel and the option of a silver, brass or black trim.

\*Balanced flue model requires a spacer when installing into a standard cavity wall.



### CONVENTIONAL FLUE

#### ENGINE

*Safety* Flame Supervision Device & Oxygen Depletion Sensor  
*Gas type* Natural Gas  
*Flue type* Brick Chimney or pre-fabricated Flue  
*Control type* Fully Automatic Remote with Thermostatic Control

#### SPECIFICATIONS

*Useful energy efficiency* 79.6%  
*Energy efficiency class* D  
*Direct heat output* 3.9kW  
*Model Number*  
Rustic Brick DPRLBBRN  
Black Enamel DPRLBERN

#### CHOICES

*Fire interior* Rustic Brick Effect or Glossy Black Enamel  
*Trim Colours* Brass, Silver or Black



WITH GLOSSY BLACK ENAMEL  
INTERIOR AND SILVER TRIM

WITH RUSTIC BRICK EFFECT  
INTERIOR AND BRASS TRIM



BALANCED FLUE  
WITH RUSTIC BRICK  
EFFECT INTERIOR  
AND BLACK TRIM



### BALANCED FLUE

#### ENGINE

*Safety* Flame Supervision Device & Oxygen Depletion Sensor  
*Gas type* Natural Gas  
*Flue type* Horizontal Balanced Flue  
*Control type* Fully Automatic Remote with Thermostatic Control

#### SPECIFICATIONS

*Useful energy efficiency* 90.5%  
*Energy efficiency class* B  
*Direct heat output* 3.9kW  
*Model Number*  
Rustic Brick DCBLBBRN  
Black Enamel DCBLBERN

#### CHOICES

*Fire interior* Rustic Brick Effect or Glossy Black Enamel  
*Trim Colours* Brass, Silver or Black

\*80mm Spacer 1184-1001079A

## Avelli Illumia



The Avelli Illumia gas fire suite is one of our more petite fireplaces so is perfect for bringing a touch of elegance and warmth to smaller rooms. This classically styled fireplace comes in a choice of limestone or travertine surround and features dimmable halogen lights which enhance a large, stunning log effect gas fire.

This high efficiency fire features a virtually invisible glass front and comes in a choice of black ribbed or rustic brick effect interior. The fire and decorative lights are both operated by a stylish multifunction remote control handset which allows you to thermostatically control your gas fire and ensure a consistent and comfortable room temperature.

The Avelli Suite is suitable for installation in to a standard brick chimney or pre-fabricated flue and a balanced flue version is also available for homes without a standard chimney or flue system.



### CONVENTIONAL FLUE

#### ENGINE

*Safety* Supervision Device & Oxygen Depletion Sensor

*Gas type* Natural Gas

*Flue type* Brick Chimney or pre-fabricated Flue

*Control type* Multifunctional Remote Control (see page 44)

#### SPECIFICATIONS

*Useful energy efficiency* 72.6%

*Energy efficiency class* F

*Direct heat output* 4.1kW

*Model Number*

Rustic Brick DHELBBRN3

Black Ribbed DHELBRN3

#### CHOICES

*Surround* Limestone or Travertine

*Fire interior* Rustic Brick Effect or Black Ribbed



WITH RUSTIC BRICK EFFECT INTERIOR IN TRAVERTINE



### BALANCED FLUE

#### ENGINE

*Safety* Flame Supervision Device

*Gas type* Natural Gas

*Flue type* Horizontal Balanced Flue (see page 52 onwards)

*Control type* Multifunctional Remote Control (see page 44)

#### SPECIFICATIONS

*Useful energy efficiency* 83.9%

*Energy efficiency class* D

*Direct heat output* 4.3kW

*Model Number*

Rustic Brick DBFLBBRN3

Black Ribbed DBFLBRN3

#### CHOICES

*Surround* Limestone or Travertine

*Fire interior* Rustic Brick Effect or Black Ribbed





## Boticelli Florentine



The classically styled Boticelli fireplace will complement both traditional and modern homes alike and is manufactured from beautiful Portuguese limestone. It comes with the perfectly proportioned Florentine gas fire. This highly efficient, non reflective glass fronted fire has a direct heat output of 3.9kW.

The conventional flue model features a stunning raised style log effect fuel bed, which has a flatter appearance in the balanced flue option. It is also operated by a fully automatic remote control system which allows you to select the times you want the fires to automatically turn on and turn off and includes a thermostatic setting to allow you to pre-set your desired room temperature.



### CONVENTIONAL FLUE

#### ENGINE

*Safety* Flame Supervision Device & Oxygen Depletion Sensor  
*Gas type* Natural Gas  
*Flue type* Brick Chimney or pre-fabricated Flue  
*Control type* Fully Automatic Remote with Thermostatic Control

#### SPECIFICATIONS

*Useful energy efficiency* 79.6%  
*Energy efficiency class* D  
*Direct heat output* 3.9kW  
*Model Number*  
Rustic Brick DPRLBBRN  
Black Enamel DPRLBERN

#### CHOICES

*Fire interior* Rustic Brick Effect or Glossy Black Enamel



WITH GLOSSY BLACK ENAMEL INTERIOR



BALANCED FLUE WITH GLOSSY BLACK ENAMEL INTERIOR



### SLIMLINE BALANCED FLUE

#### ENGINE

*Safety* Flame Supervision Device & Oxygen Depletion Sensor  
*Gas type* Natural Gas  
*Flue type* Horizontal Balanced Flue (see page 52 onwards)  
*Control type* Fully Automatic Remote with Thermostatic Control

#### SPECIFICATIONS

*Useful energy efficiency* 90.5%  
*Energy efficiency class* B  
*Direct heat output* 3.9kW  
*Model Number*  
Rustic Brick DCBLBBRN  
Black Enamel DCBLBERN

#### CHOICES

*Fire interior* Rustic Brick Effect or Glossy Black Enamel

## Angelo Florentine



The Angelo fire surround suite is made from top quality Portuguese limestone and features a combination of straight lines and soft curves which create a very contemporary design. It comes with the stunning Florentine gas fire. This non reflective glass fronted fire features a beautiful log effect fuel bed and has an incredible 79.6% energy efficiency. It is also operated by a fully automatic remote control system which allows you to select the times you want the fires to automatically turn on and turn off and includes a thermostatic setting to allow you to pre-set your desired room temperature.



WITH RUSTIC BRICK EFFECT INTERIOR



### CONVENTIONAL FLUE

#### ENGINE

*Safety* Flame Supervision Device & Oxygen Depletion Sensor

*Gas type* Natural Gas

*Flue type* Brick Chimney or pre-fabricated Flue

*Control type* Fully Automatic Remote with Thermostatic Control

#### SPECIFICATIONS

*Useful energy efficiency* 79.6%

*Energy efficiency class* D

*Direct heat output* 3.9kW

*Model Number*

Rustic Brick DPRLBBRN

Black Enamel DPRLBERN

#### CHOICES

*Fire interior* Rustic Brick Effect or Glossy Black Enamel

ANGELO FLORENTINE  
WITH GLOSSY BLACK ENAMEL INTERIOR





## Pablo Florentine



The Pablo fire surround suite offers a sleek, modern design perfect for a more minimalist appearance and is made from the finest quality Portuguese limestone. It comes with the perfectly proportioned Florentine gas fire. This highly efficient, non reflective glass fronted fire features a stunning log effect fuel bed and has a direct heat output of 3.9kW. It is also operated by a fully automatic remote control system which allows you to select the times you want the fires to automatically turn on and turn off and includes a thermostatic setting to allow you to pre-set your desired room temperature.



WITH RUSTIC BRICK EFFECT INTERIOR



### CONVENTIONAL FLUE

#### ENGINE

*Safety* Flame Supervision Device & Oxygen Depletion Sensor

*Gas type* Natural Gas

*Flue type* Brick Chimney or pre-fabricated Flue

*Control type* Fully Automatic Remote with Thermostatic Control

#### SPECIFICATIONS

*Useful energy efficiency* 79.6%

*Energy efficiency class* D

*Direct heat output* 3.9kW

*Model Number*

Rustic Brick DPRLBBRN

Black Enamel DPRLBERN

#### CHOICES

*Fire interior* Rustic Brick Effect or Glossy Black Enamel

## Parada Elite Illumia 58L & 54L



The Parada Elite suite features a stunning Portuguese limestone surround and a contemporary non reflective glass fronted gas fire.

The fire surround is complemented by integrated down lights and is available in both 54" and 58" wide versions.

The conventional flue fire comes with a choice of glossy black enamel or cream vermiculite interior. The slimline balanced flue fire is available with a glossy black enamel interior. Both fires feature a stunningly realistic log fuel effect and multifunctional remote control operation.



58L WITH CREAM VERMICULITE INTERIOR



54L WITH GLOSSY BLACK ENAMEL INTERIOR



### CONVENTIONAL FLUE

#### ENGINE

*Safety* Flame Supervision Device & Oxygen Depletion Sensor

*Gas type* Natural Gas

*Flue type* Brick Chimney or pre-fabricated Flue

*Control type* Multifunctional Remote Control (see page 44)

#### SPECIFICATIONS

*Useful energy efficiency* 78.6%

*Energy efficiency class* D

*Direct heat output* 4.9kW

*Model Number*

Cream Vermiculite DPELVLRN

Black Enamel DPELELRN

#### CHOICES

*Surround* Available in 58" or 54" widths

*Fire interior* Cream Vermiculite or Glossy Black Enamel



### SLIMLINE BALANCED FLUE

#### ENGINE

*Safety* Flame Supervision Device & Oxygen Depletion Sensor

*Gas type* Natural Gas

*Flue type* Horizontal Balanced Flue (see page 52 onwards)

*Control type* Multifunctional Remote Control (see page 44)

#### SPECIFICATIONS

*Useful energy efficiency* 85.6%

*Energy efficiency class* C

*Direct heat output* 3.7kW

*Model Number*

Black Enamel DBELEBRN

#### CHOICES

*Surround* Available in 58" or 54" widths

*Fire interior* Glossy Black Enamel





## Parada Illumia 58L & 54L



The Parada Illumia 58L features a striking landscape gas fire with beautiful dancing flames enhanced by a reflective black enamel interior lining.

The fire is glass fronted for optimum efficiency but has been cleverly designed so that the glass is virtually invisible. It is operated by a multifunctional remote control system with thermostatic and timer functions which allow you to pre-set your desired room temperature and the time that the fire turns on and turns off.

All this is framed by a classically styled surround that is available in a choice of limestone or travertine with built in decorative halogen lights. A 54L version is available to fit smaller rooms or those with a narrower chimney breast.



### CONVENTIONAL FLUE

#### ENGINE

*Safety* Flame Supervision Device & Oxygen Depletion Sensor

*Gas type* Natural Gas

*Flue type* Brick Chimney or Pre-fabricated Flue

*Control type* Multifunctional Remote Control (see page 44)

#### SPECIFICATIONS

*Useful energy efficiency* 83%

*Energy efficiency class* D

*Direct heat output* 5.2kW

*Model Number*

DHVG00RN2

#### CHOICES

*Surround* Limestone or Travertine available in 58" or 54" widths



54L IN TRAVERTINE WITH LOGS



LIMESTONE



TRAVERTINE



### BALANCED FLUE

#### ENGINE

*Safety* Flame Supervision Device

*Gas type* Natural Gas

*Flue type* Horizontal Balanced Flue (see page 52 onwards)

*Control type* Multifunctional Remote Control (see page 44)

#### SPECIFICATIONS

*Useful energy efficiency* 84.3%

*Energy efficiency class* D

*Direct heat output* 4.8kW

*Model Number*

DBFG00RN2

#### CHOICES

*Surround* Limestone or Travertine available in 58" or 54" widths



## Parada Illumia 54S



The Parada Illumia 54S is a small fireplace which makes a big impact. Available in a choice of travertine or limestone the surround has been characteristically designed to look at home in both modern and traditional settings.

The high efficiency, glass fronted gas fire features a stylish log fuel effect with a glossy black enamel interior and mesmerising flames. The fire is operated by a multifunction remote control system with thermostatic and timer functions which allow you to pre-set your desired room temperature and the time that the fire turns on and turns off. The remote handset is also used to operate decorative halogen lighting which is built in to the stone surround.

The smaller proportions of the Parada Illumia 54S ensures it will fit most standard chimney breasts. A balanced flue version for homes without a chimney is also available.



IN TRAVERTINE



LIMESTONE



TRAVERTINE



### CONVENTIONAL FLUE

#### ENGINE

*Safety* Flame Supervision Device & Oxygen Depletion Sensor

*Gas type* Natural Gas

*Flue type* Brick Chimney or pre-fabricated Flue

*Control type* Multifunctional Remote Control (see page 44)

#### SPECIFICATIONS

*Useful energy efficiency* 70.8%

*Energy efficiency class* F

*Direct heat output* 3.3kW

*Model Number*

DHAL00RN2

#### CHOICES

*Surround* Limestone or Travertine



### BALANCED FLUE

#### ENGINE

*Safety* Flame Supervision Device

*Gas type* Natural Gas

*Flue type* Horizontal Balanced Flue (see page 52 onwards)

*Control type* Multifunctional Remote Control (see page 44)

#### SPECIFICATIONS

*Useful energy efficiency* 72.8%

*Energy efficiency class* F

*Direct heat output* 3.3kW

*Model Number*

DHBL00RN2

#### CHOICES

*Surround* Limestone or Travertine





LIMESTONE

TRAVERTINE

## Da Vinci Illumia



The stunning Da Vinci Illumia fireplace is sure to be the centre of attention in any home. Its highly realistic log fuel bed is complemented by a beautiful and mesmerising lazy flame. A non reflective glass front on the conventional flue model enhances the visual aesthetics.

The classically designed surround will suit any decor and with a choice of rustic brick effect or glossy black enamel interior panels and Limestone or Travertine surround you can create your own distinctive style.

The Da Vinci Illumia Suite is available as a conventional flue model, suitable for installation into any standard brick chimney or pre-fabricated flue with a direct heat output of 4.8kW Don't have a standard chimney or flue? A balanced flue model with an incredible 70% energy efficiency is also available. Both models feature decorative halogen lights and our multifunction remote control system with thermostatic and timer functions.



### CONVENTIONAL FLUE

#### ENGINE

*Safety Flame Supervision Device & Oxygen Depletion Sensor*  
*Gas type* Natural Gas  
*Flue type* Brick Chimney or pre-fabricated Flue  
*Control type* Multifunctional Remote Control (see page 44)

#### SPECIFICATIONS

*Useful energy efficiency* 82%  
*Energy efficiency class* D  
*Direct heat output* 5.6kW  
*Model Number*  
Rustic Brick DDCLBBRN2  
Black Enamel DDCLRBRN2

#### CHOICES

*Surround* Limestone or Travertine  
*Fire interior* Rustic Brick Effect or Glossy Black Enamel



WITH GLOSSY BLACK ENAMEL INTERIOR IN LIMESTONE



BALANCED FLUE WITH RUSTIC BRICK EFFECT INTERIOR IN TRAVERTINE



### BALANCED FLUE

#### ENGINE

*Safety Flame Supervision Device*  
*Gas type* Natural Gas  
*Flue type* Horizontal (Horizontal, Vertical and Chimney Conversion Kits available - see page 45) or Vertical Balanced Flue (see page 52 onwards)  
*Control type* Multifunctional Remote Control (see page 44)

#### SPECIFICATIONS

*Useful energy efficiency* 82.6%  
*Energy efficiency class* D  
*Direct heat output* 6.5kW  
*Model Number*  
Rustic Brick DDVLBBRN2  
Black Fibre DDVLRBRN2

#### CHOICES

*Surround* Limestone or Travertine  
*Fire interior* Rustic Brick Effect or Black Fibre

## Distinction Illumia



The subtle chamfered edges of the Distinction Illumia combined with a realistic log fuel bed and beautiful mesmerizing flames radiate a luxurious and timeless quality.

This stunning fireplace is available as a conventional flue model for installation in to standard brick chimneys or pre-fabricated flue and features a non reflective glass front. There is a balanced flue model for homes without a chimney. Both models feature decorative halogen lights and our multifunction remote control system with thermostatic and timer functions.

Style your fire to suit your décor with the option of rustic brick effect or glossy black enamel interior panels and a choice of Limestone or Travertine surround.



WITH RUSTIC BRICK EFFECT INTERIOR IN TRAVERTINE



BALANCED FLUE WITH RUSTIC BRICK EFFECT INTERIOR IN TRAVERTINE



### CONVENTIONAL FLUE

#### ENGINE

*Safety* Flame Supervision Device & Oxygen Depletion Sensor  
*Gas type* Natural Gas  
*Flue type* Brick Chimney or pre-fabricated Flue  
*Control type* Multifunctional Remote Control (see page 44)

#### SPECIFICATIONS

*Useful energy efficiency* 82%  
*Energy efficiency class* D  
*Direct heat output* 5.6kW  
*Model Number*  
 Rustic Brick DDCLBBRN2  
 Black Enamel DDCLRBRN2

#### CHOICES

*Surround* Limestone or Travertine  
*Fire interior* Rustic Brick Effect or Glossy Black Enamel



### BALANCED FLUE

#### ENGINE

*Safety* Flame Supervision Device  
*Gas type* Natural Gas  
*Flue type* Horizontal (Horizontal, Vertical and Chimney Conversion Kits available - see page 45) or Vertical Balanced Flue (see page 52 onwards)  
*Control type* Multifunctional Remote Control (see page 44)

#### SPECIFICATIONS

*Useful energy efficiency* 82.6%  
*Energy efficiency class* D  
*Direct heat output* 6.5kW  
*Model Number*  
 Rustic Brick DDVLBBRN2  
 Black Fibre DDVLRBRN2

#### CHOICES

*Surround* Limestone or Travertine  
*Fire interior* Rustic Brick Effect or Black Fibre



LIMESTONE

TRAVERTINE

DISTINCTION ILLUMIA CONVENTIONAL FLUE WITH GLOSSY BLACK ENAMEL INTERIOR IN LIMESTONE



## Monet Illumia



The simplistic clean lines of the Monet Illumia combined with the realistic fuel bed and distinctive flame create a mesmerising focal point in any room.

This beautiful limestone suite features non reflective glass which shows off the impressive fuel bed and flame to the highest quality.

It is available as conventional flue model for installation in to standard brick chimneys or pre-fabricated flue. It also features decorative halogen lights and uses our multifunctional remote control system with thermostatic and timer functions.



WITH GLOSSY BLACK ENAMEL INTERIOR



### CONVENTIONAL FLUE

#### ENGINE

*Safety* Flame Supervision Device & Oxygen Depletion Sensor

*Gas type* Natural Gas

*Flue type* Brick Chimney or pre-fabricated Flue

*Control type* Multifunctional Remote Control (see page 44)

#### SPECIFICATIONS

*Useful energy efficiency* 82%

*Energy efficiency class* D

*Direct heat output* 5.6kW

*Model Number*

Rustic Brick DDCLBBRN2

Black Enamel DDCLRBRN2

#### CHOICES

*Fire interior* Rustic Brick Effect or Glossy Black Enamel

## Boticelli Illumia Slimline



The Boticelli Slimline Balanced Flue Gas Fire Suites have been cleverly designed for easier installation in to most wall cavities without the need to build a false chimney breast to accommodate the depth of the engine. They also feature a non reflective glass front panel which is virtually invisible to the naked eye. The fire surround is made from Portuguese limestone and has integrated down-lights which are operated from the fires remote control handset.



WITH RUSTIC BRICK EFFECT INTERIOR



WITH CREAM VERMICULITE INTERIOR



### SLIMLINE BALANCED FLUE



#### ENGINE

Safety Flame Supervision Device

Gas type Natural Gas

Flue type Horizontal Balanced Flue (see page 52 onwards)

Control type Multifunctional Remote Control (see page 44)

#### SPECIFICATIONS

Useful energy efficiency 87.2%

Energy efficiency class C

Direct heat output 4.3kW

Model Number

Rustic Brick DSBLBBRN

Black Enamel DSBLEBRN

Cream Vermiculite DSBLVTRN

#### CHOICES

Surround Limestone

Fire interior Rustic Brick Effect, Glossy Black Enamel  
or Cream Vermiculite



## Da Vinci Illumia Slimline



The stunning Da Vinci limestone surround is now available in a Slimline Balanced Flue model. This highly efficient log effect fire can be easily installed in to most standard wall cavities and comes with a choice of glossy black enamel, cream vermiculite or rustic brick effect interiors.

A non reflective glass front provides a flawless flame picture which can be enhanced using integrated down-lights.



WITH GLOSSY BLACK ENAMEL INTERIOR



WITH RUSTIC BRICK EFFECT INTERIOR

### SLIMLINE BALANCED FLUE



#### ENGINE

*Safety Flame Supervision Device*

*Gas type Natural Gas*

*Flue type Horizontal Balanced Flue (see page 52 onwards)*

*Control type Multifunctional Remote Control (see page 44)*

#### SPECIFICATIONS

*Useful energy efficiency 87.2%*

*Energy efficiency class C*

*Direct heat output 4.3kW*

*Model Number*

Rustic Brick DSBLBBRN

Black Enamel DSBLEBRN

Cream Vermiculite DSBLVTRN

#### CHOICES

*Surround Limestone*

*Fire interior Rustic Brick Effect, Glossy Black Enamel  
or Cream Vermiculite*



## Multifunctional remote control operation

All fires in The Collection come with a stylish, multifunctional remote control handset. This hand set is not only used to ignite the fire, control the heat/flame level and extinguish the fire, it also operates thermostatic and timer functions which allow you to preset a desired room temperature, between 5°C and 30°C, in both day and night mode and to set the times of day you would like the fire to turn on and turn off.

All fires feature an electronic fan to circulate convected heat around the room. The remote control handset is used to change the fan speed. For optimum Useful energy efficiency we recommend the fire is always used with the fan on at the maximum speed setting.

In addition to the heat and fan settings your fire features dimmable, decorative halogen lighting\* which can be used with or without the flame being in operation. Your handset is used to turn the decorative lighting on or off and to adjust the brightness level.

\* not available on the Carmelo Balanced Flue or Florentine models.

## False Chimney Kits for Glimpse Fires

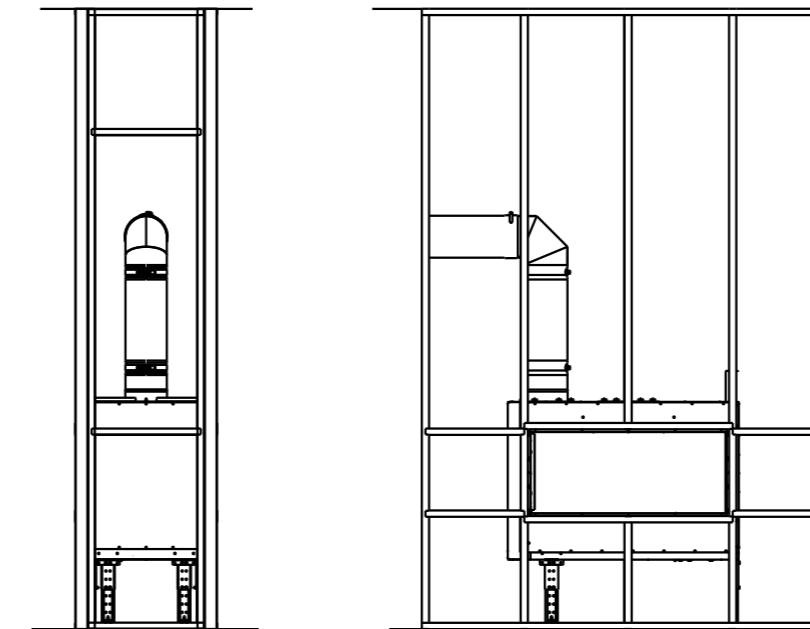
False chimney kits are available at an additional cost to simplify the installation of the Glimpse range of gas fires, including Glimpse, Glimpse Duplex, Glimpse Triplex and Luxe. The false chimney kit consists of the metal studwork and screws required to create the false chimney structure. This can then be clad with the fitters' choice of high temperature board\*.

We recommend a non combustable board such as Promat Supalux in a double 6mm thickness, giving an overall thickness of 12mm. Promat Supalux board is available from CCF Manchester.

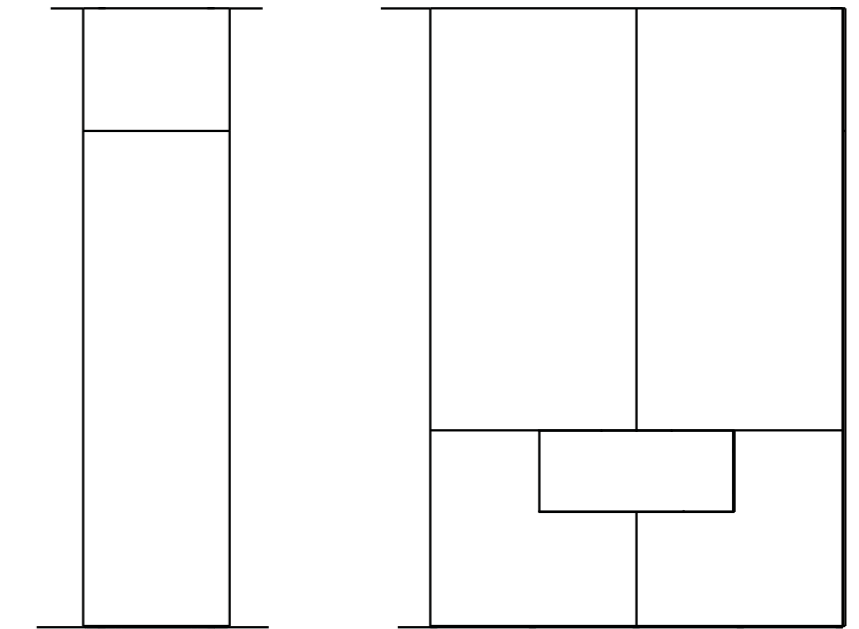
\* not supplied by BFM



GLIMPSE FALSE CHIMNEY STUDWORK

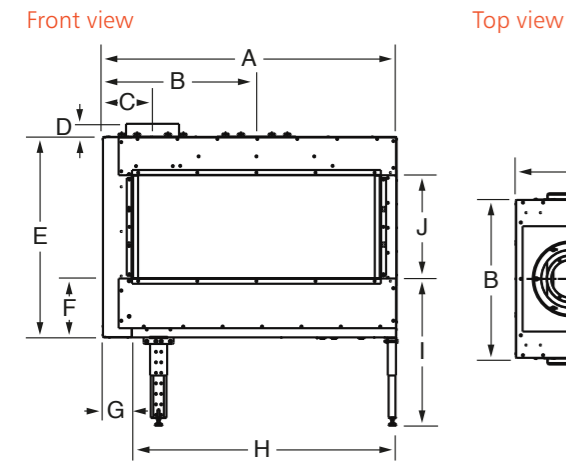


GLIMPSE FINISHED FALSE CHIMNEY



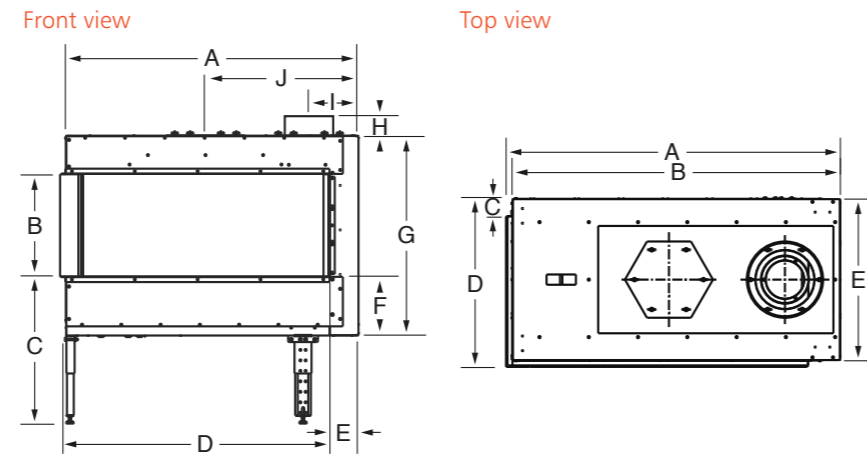
# Fire Dimensions

GLIMPSE



- Front view**  
 A 1118mm G 109mm  
 B 584mm H 949mm  
 C 189mm I 279-559mm  
 D 50mm J 395mm  
 E 763mm  
 F 223mm
- Top view**  
 A 1118mm  
 B 551mm  
 C 595mm

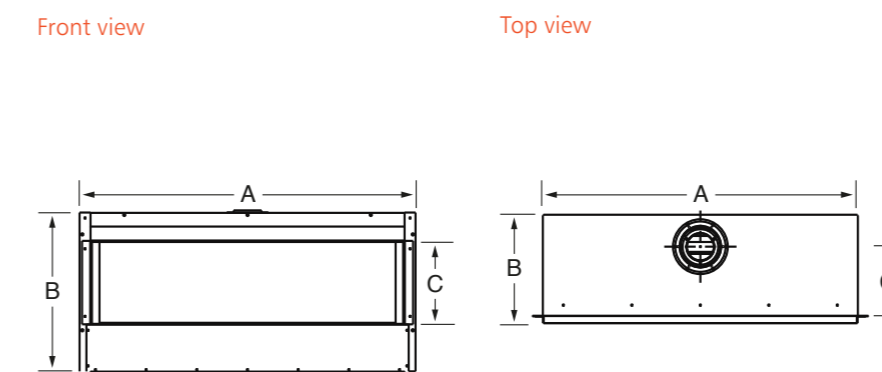
GLIMPSE DUPLEX - LEFT ASPECT



- Front view**  
 A 1118mm G 763mm  
 B 395mm H 50mm  
 C 279-559mm I 189mm  
 D 1009mm J 584mm  
 E 109mm  
 F 223mm
- Top view**  
 A 1140mm  
 B 1119mm  
 C 59mm  
 D 573mm  
 E 551mm
- RIGHT ASPECT**  
 Reverse image for Right aspect, dimensions are the same. See installation manual for more details.

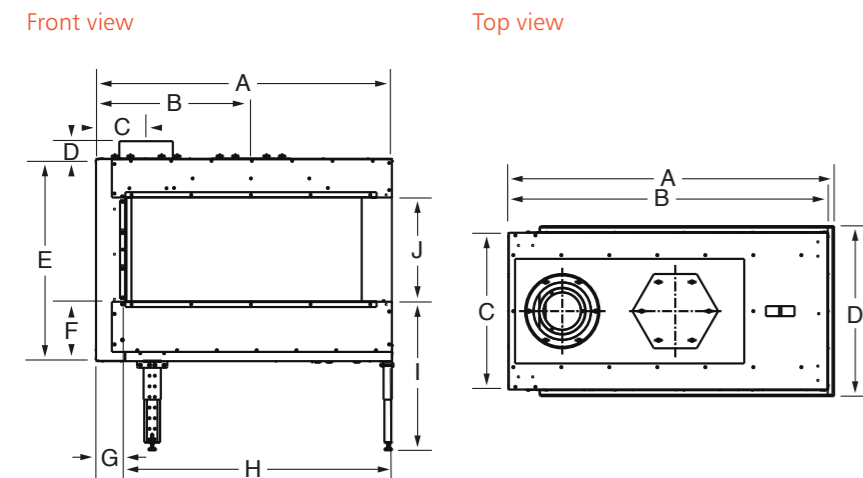
# Fire Dimensions

CARMELO



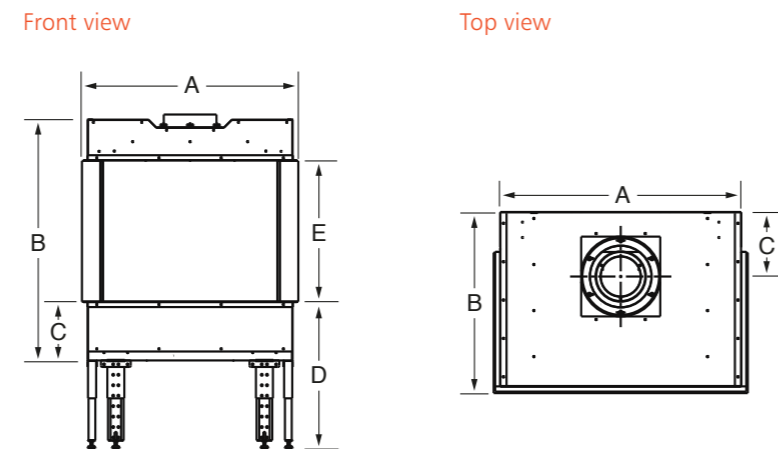
- Front view**  
 A 1227mm  
 B 580mm  
 C 307mm
- Top view**  
 A 1150mm  
 B 369mm  
 C 252mm

GLIMPSE TRIPLEX



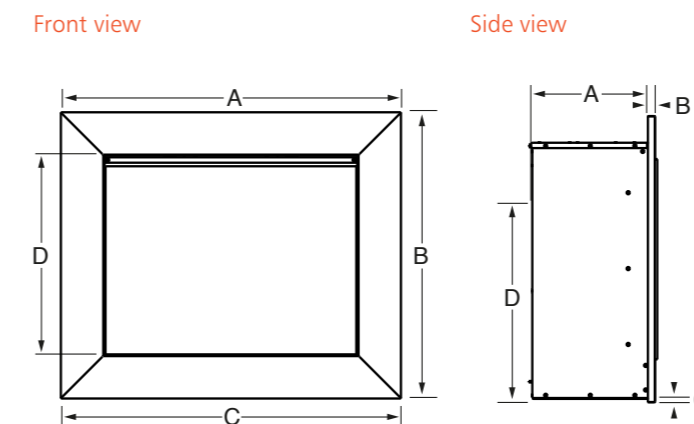
- Front view**  
 A 1118mm G 109mm  
 B 584mm H 1009mm  
 C 189mm I 279-559mm  
 D 50mm J 395mm  
 E 763mm  
 F 223mm
- Top view**  
 A 1140mm  
 B 1119mm  
 C 551mm  
 D 595mm

LUXE



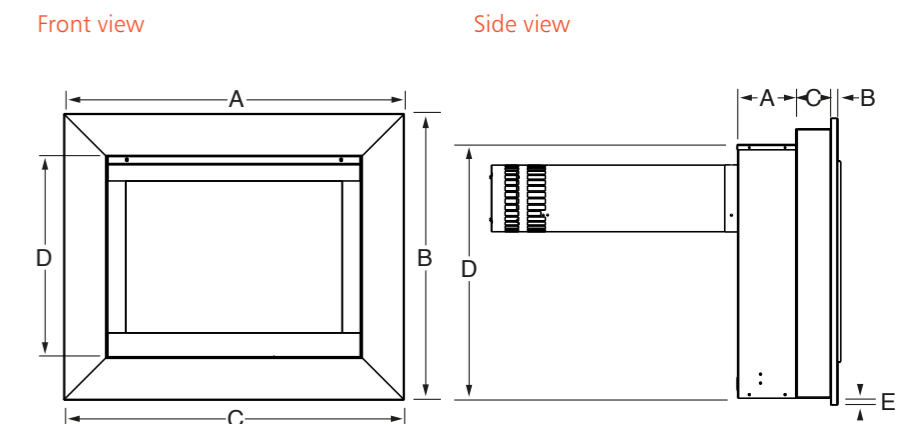
- Front view**  
 A 828mm  
 B 922mm  
 C 227mm  
 D 279-559mm  
 E 535mm
- Top view**  
 A 784mm  
 B 585mm  
 C 222mm

FLORENTINE



- Front view**  
 A 762mm  
 B 641mm  
 C 572mm  
 D 451mm
- Side view**  
 A 259mm  
 B 16mm  
 C 8mm  
 D 574mm
- Top view**  
 A 574mm

FLORENTINE SLIMLINE BALANCED FLUE

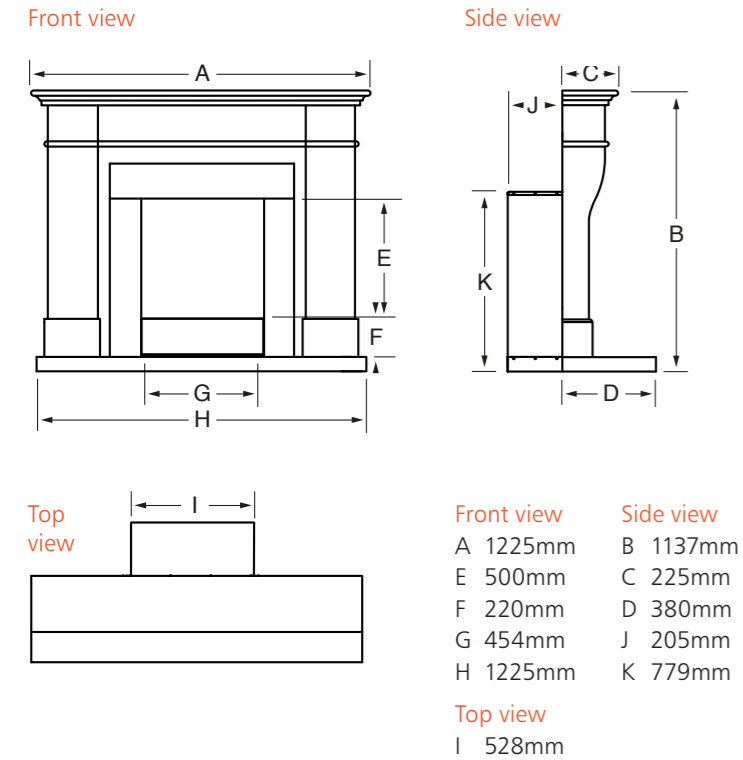


- Front view**  
 A 762mm  
 B 641mm  
 C 572mm  
 D 451mm
- Side view**  
 A 130mm  
 B 16mm  
 C 77mm  
 D 568mm  
 E 15mm
- Top view**  
 A 575mm  
 B 550mm

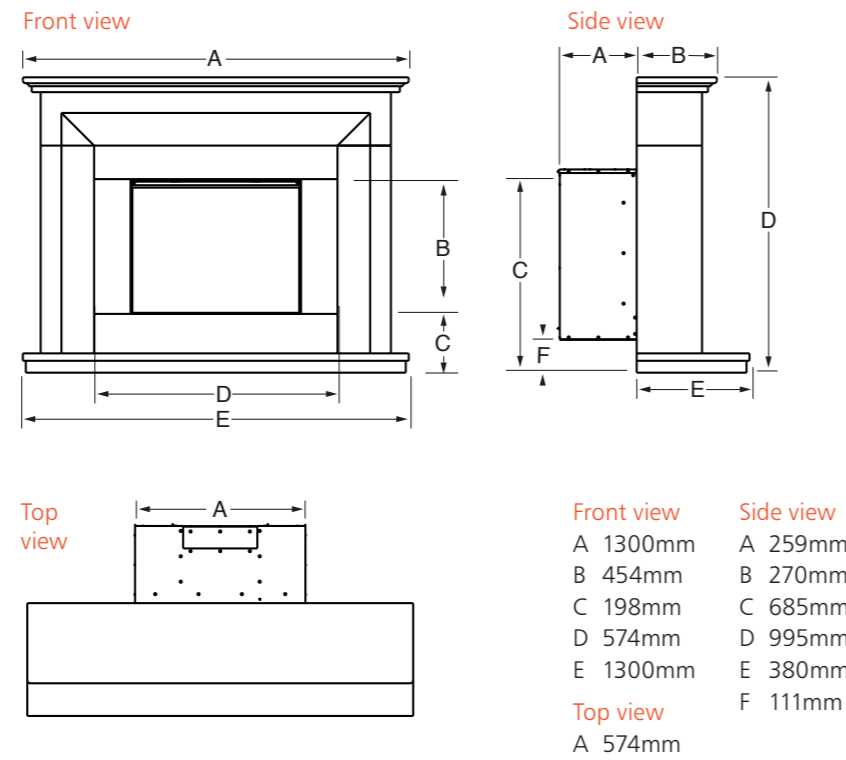


# Suite Dimensions

AVELLI ILLUMIA

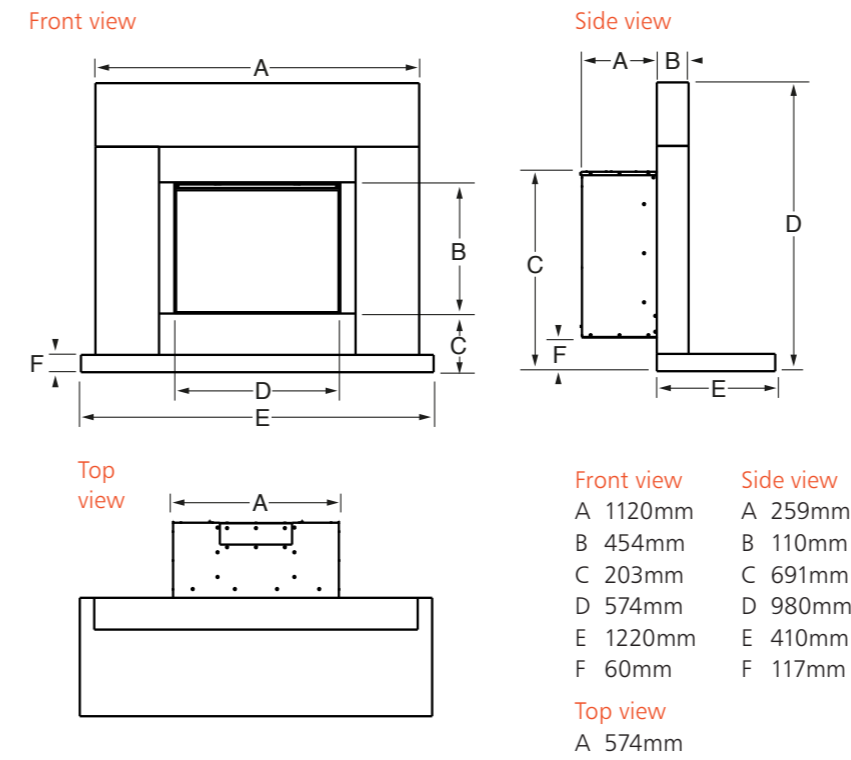


ANGELO FLORENTINE

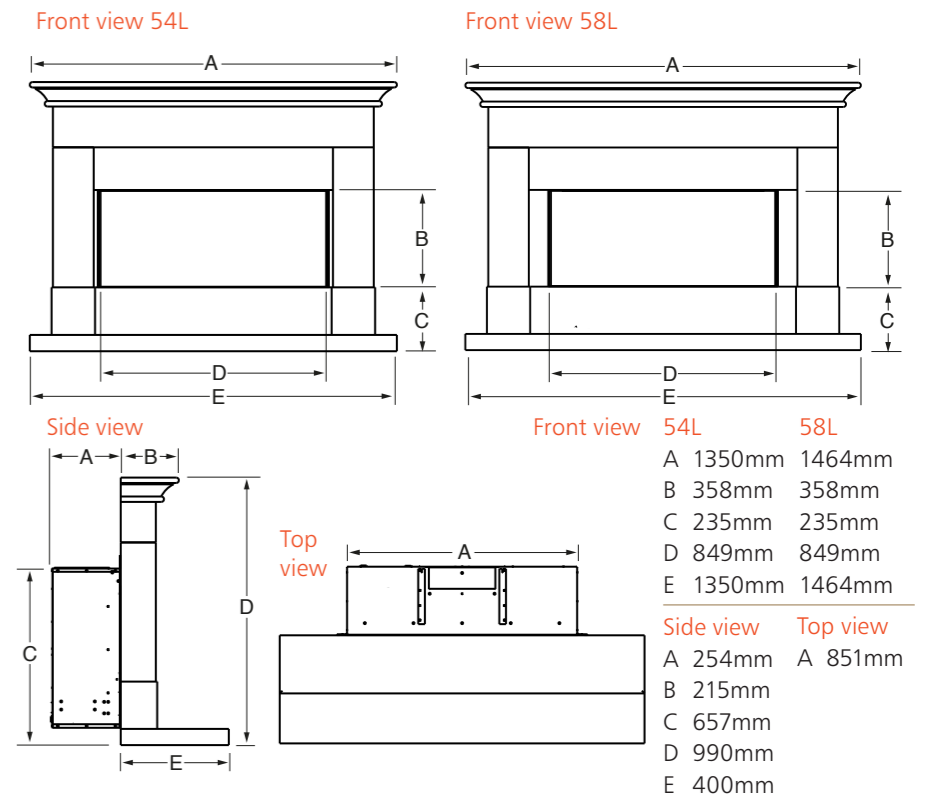


# Suite Dimensions

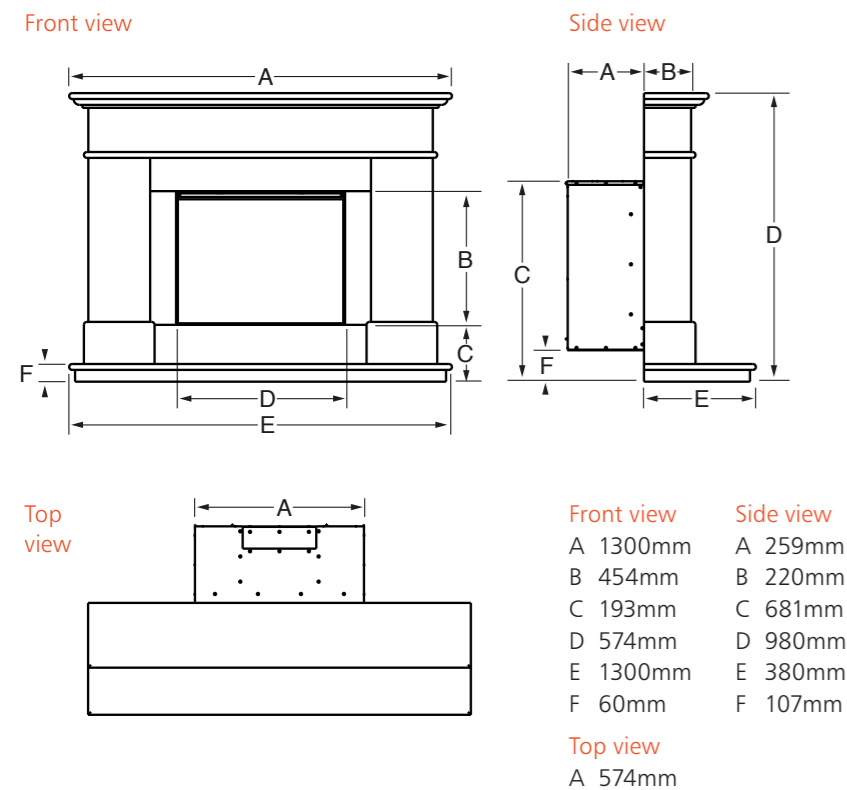
PABLO FLORENTINE



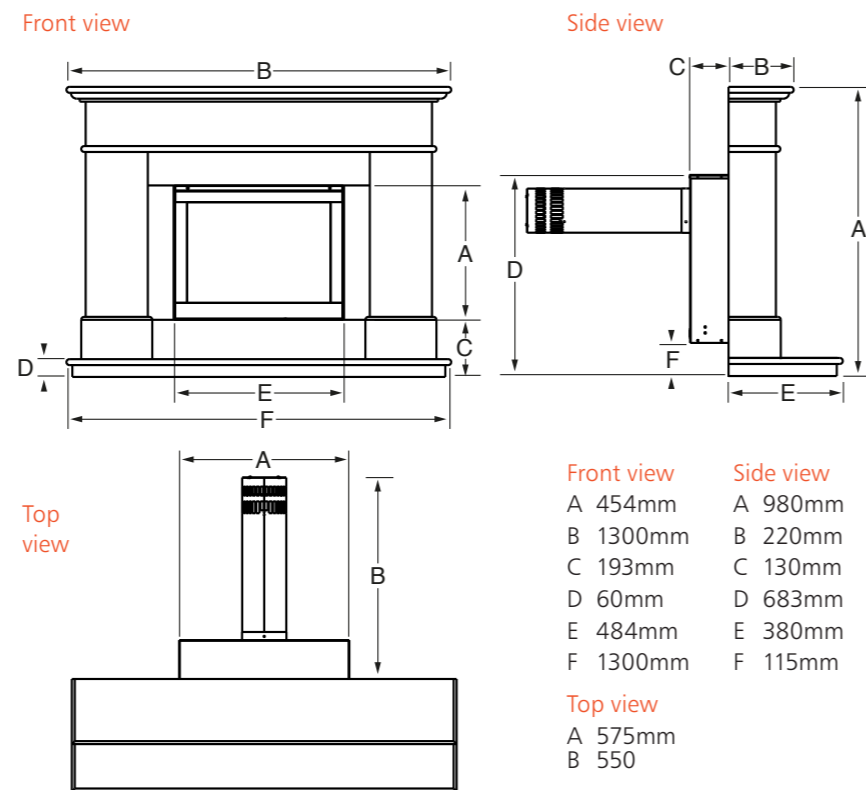
PARADA ELITE ILLUMIA 54L & 58L



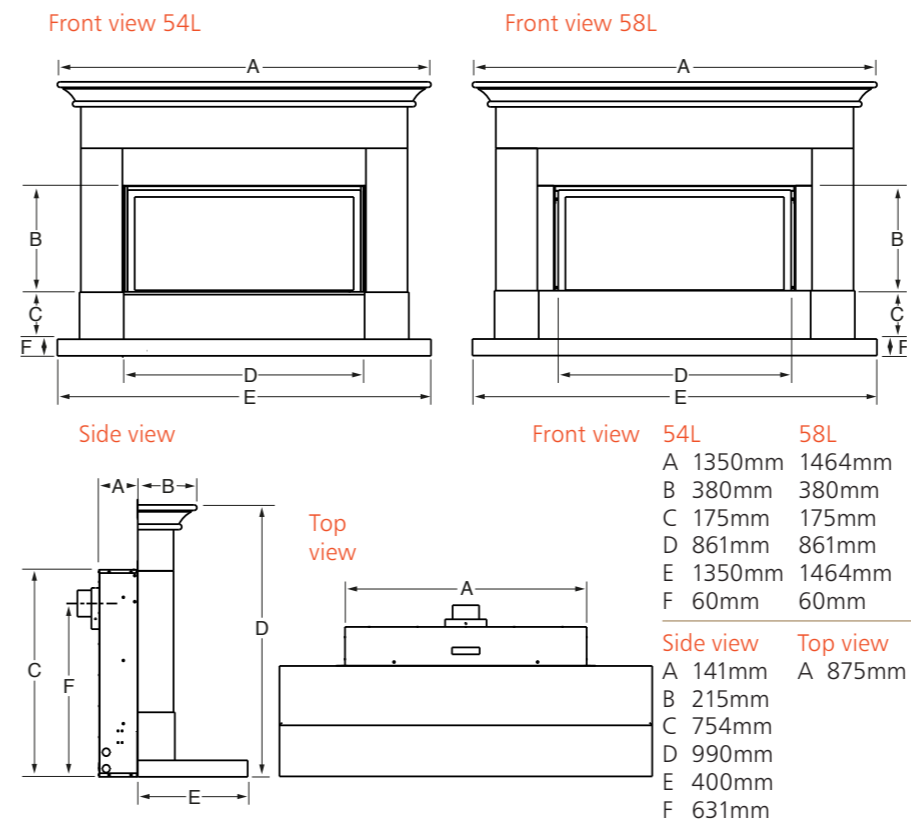
BOTICELLI FLORENTINE



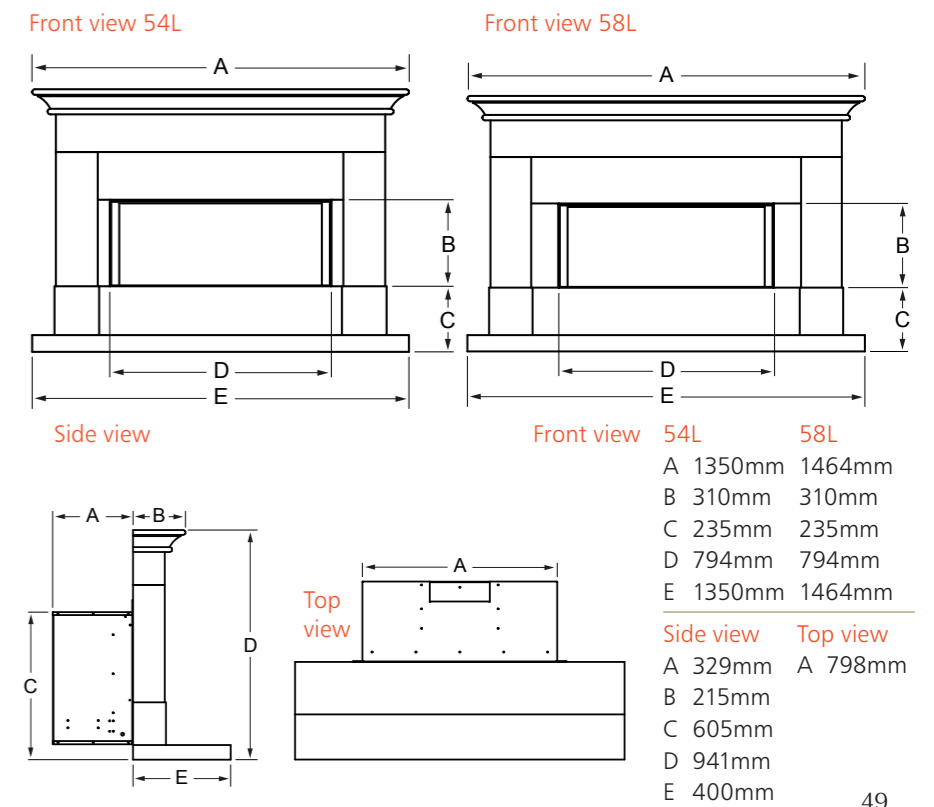
BOTICELLI FLORENTINE SLIMLINE BALANCED FLUE



PARADA ELITE ILLUMIA SLIMLINE BALANCED FLUE 54L & 58L

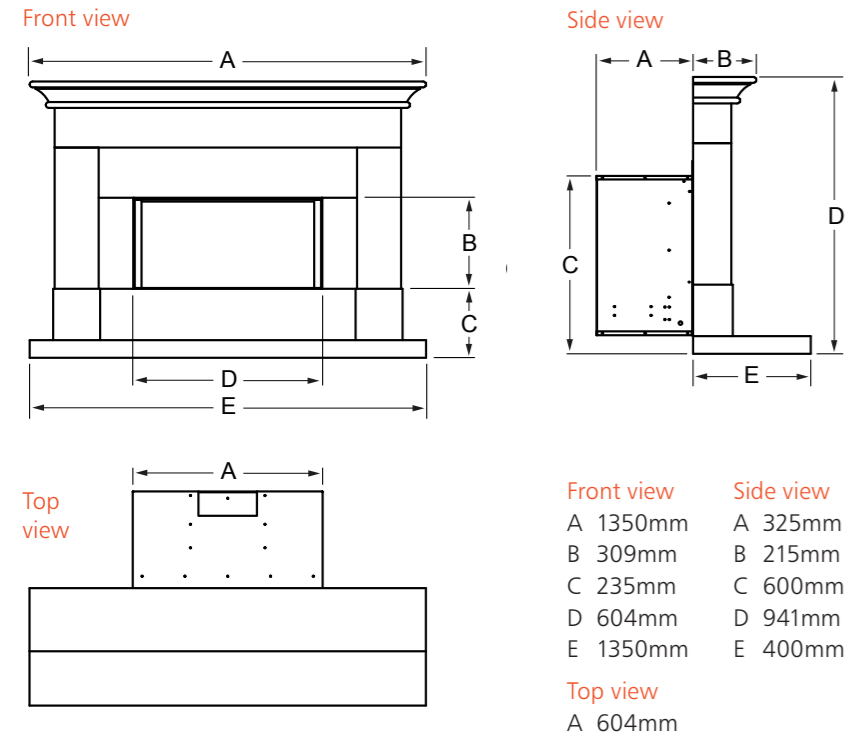


PARADA ILLUMIA 54L & 58L

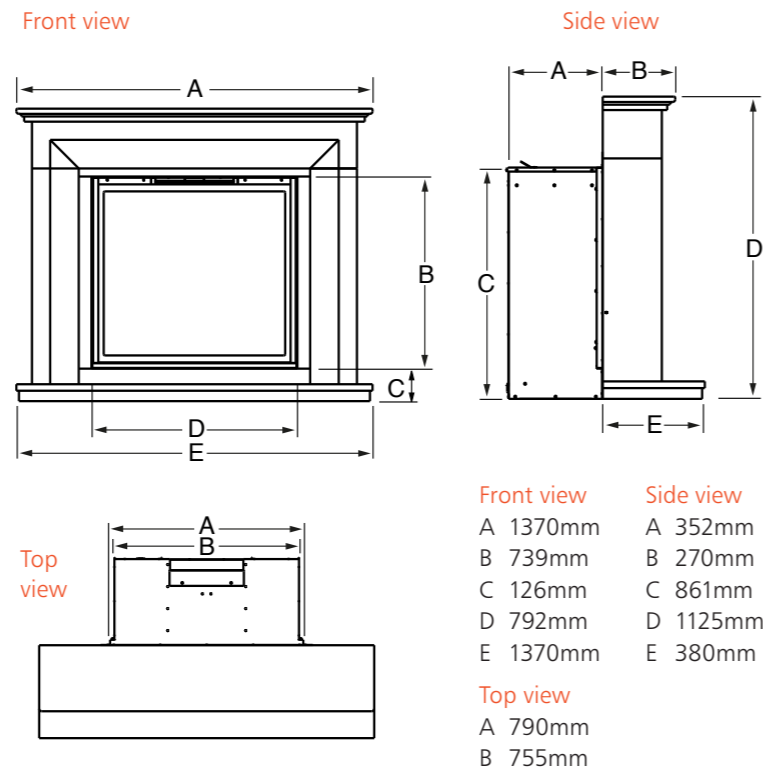


# Suite Dimensions

PARADA ILLUMIA 54S

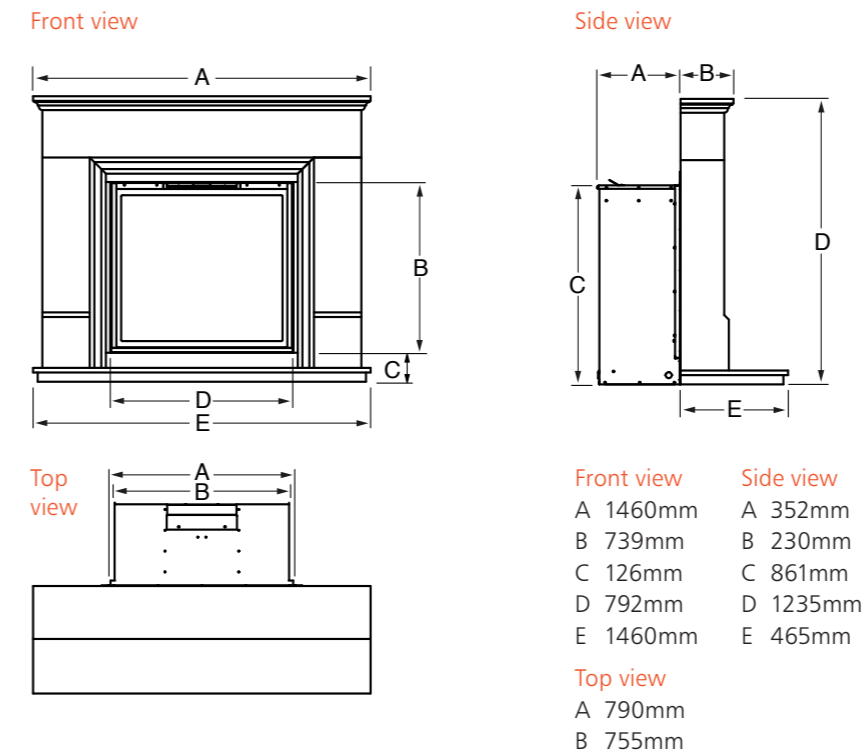


MONET ILLUMIA

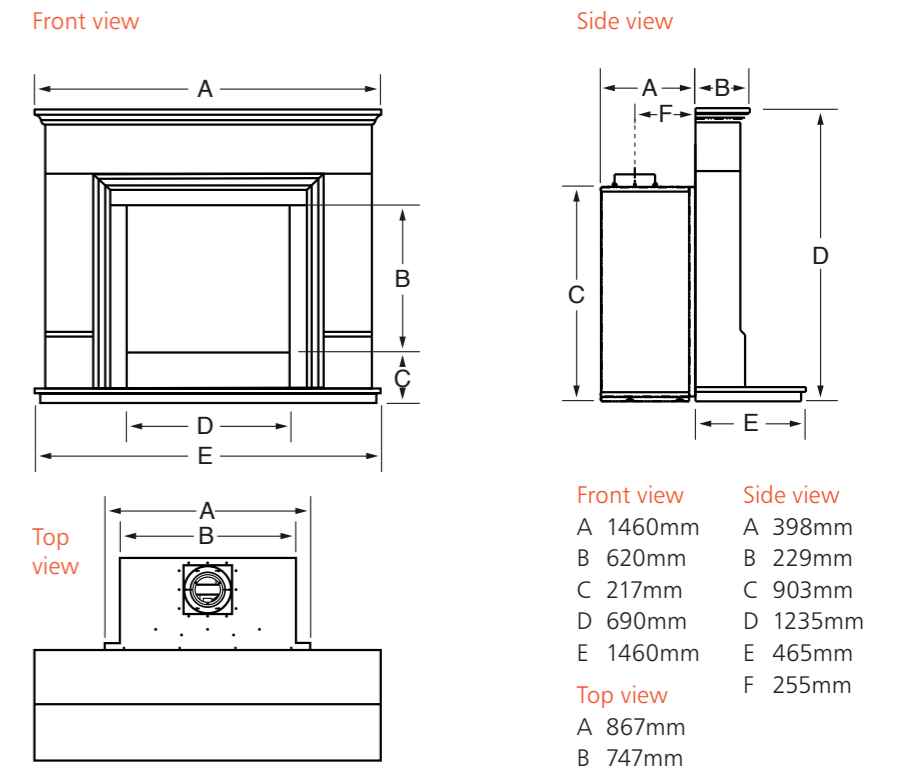


# Suite Dimensions

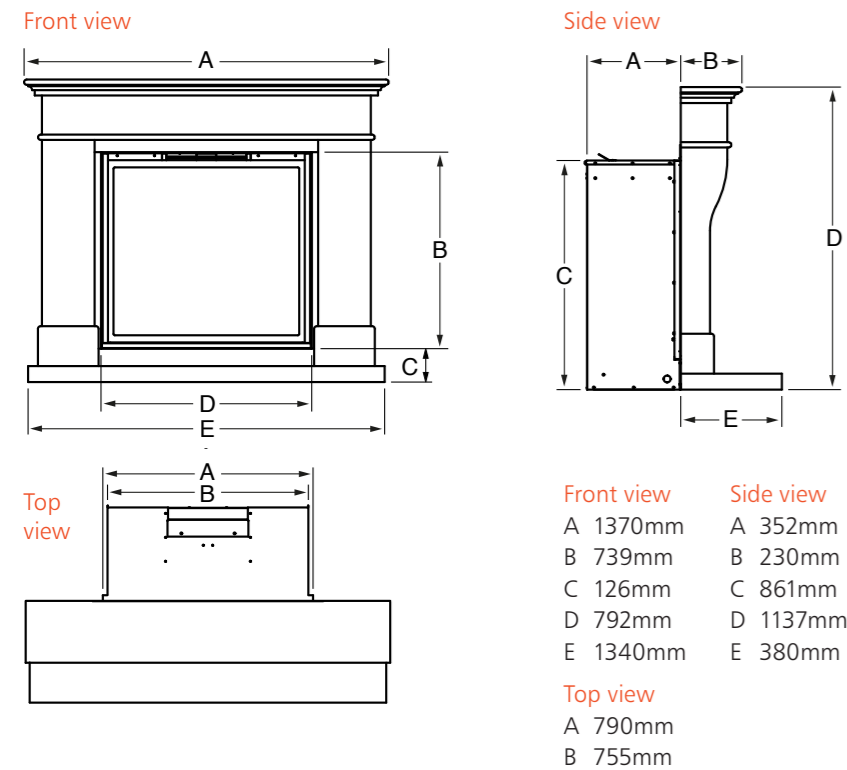
DISTINCTION ILLUMIA



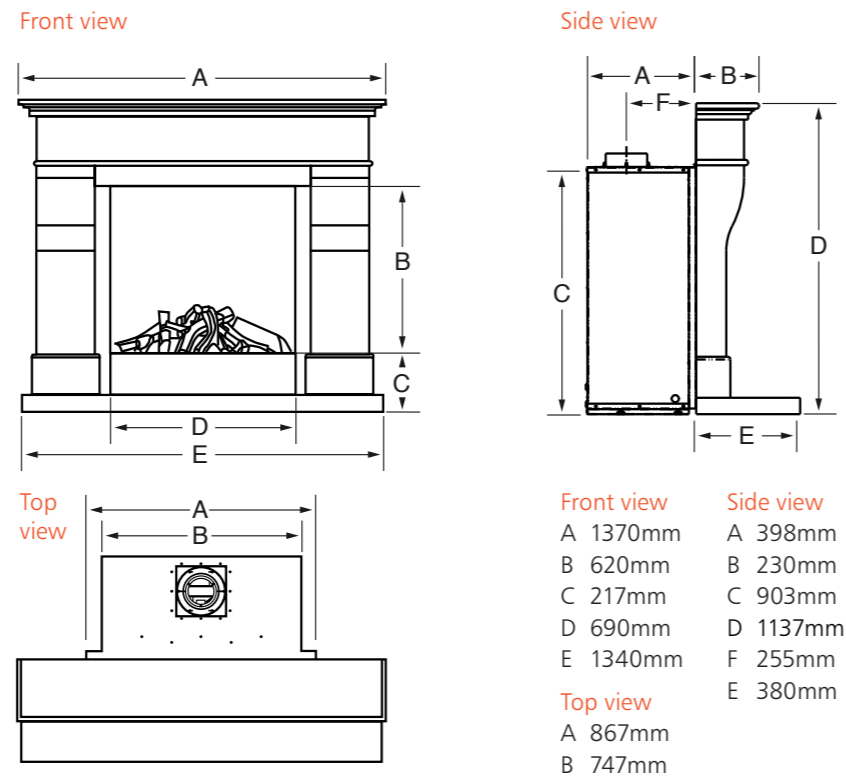
DISTINCTION ILLUMIA BALANCED FLUE



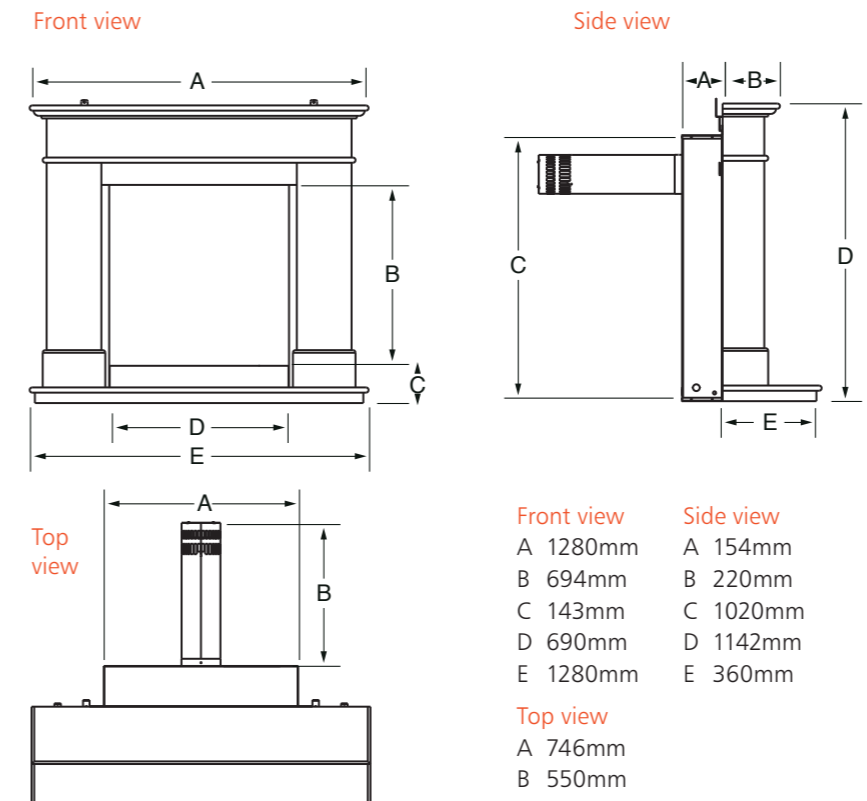
DA VINCI ILLUMIA



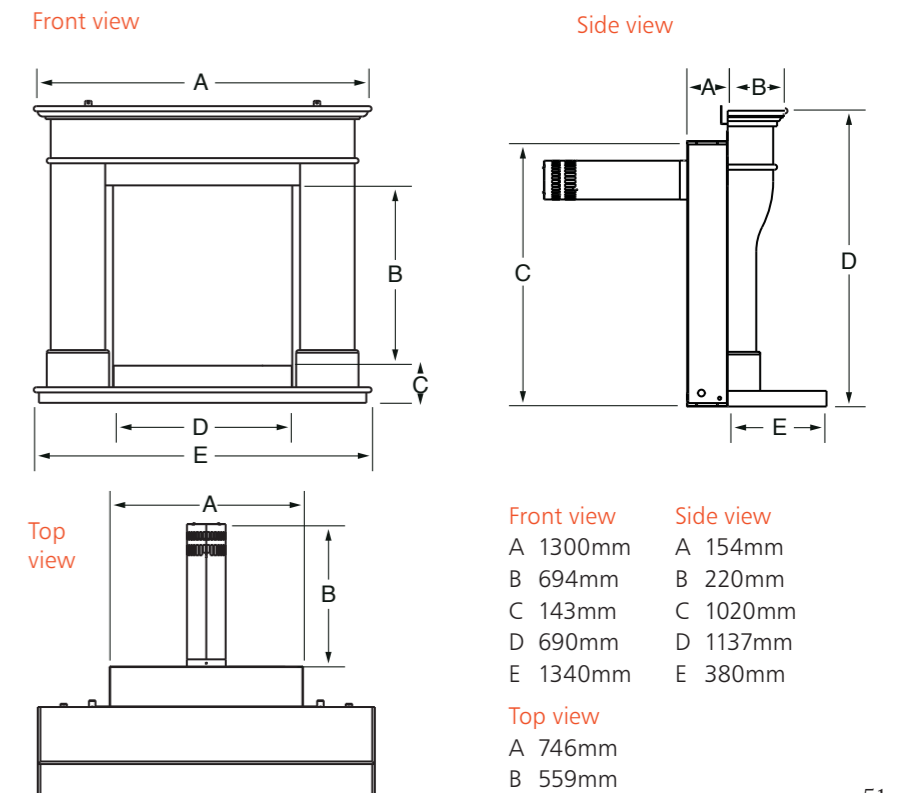
DA VINCI ILLUMIA BALANCED FLUE



BOTICELLI ILLUMIA SLIMLINE BALANCED FLUE



DA VINCI ILLUMIA SLIMLINE BALANCED FLUE

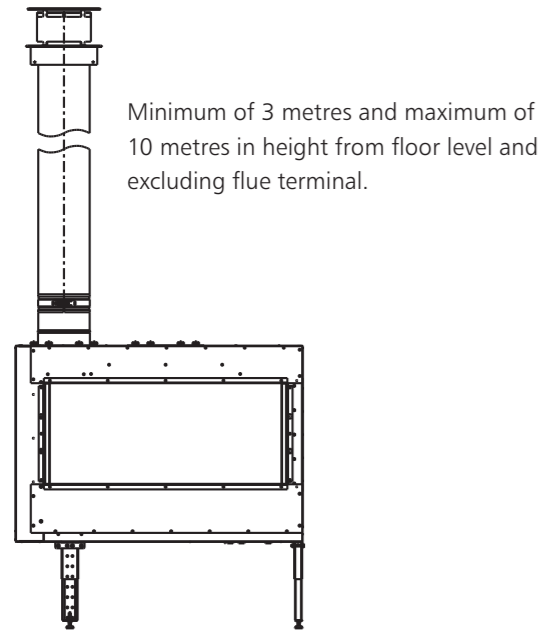


## Balanced Flue Installations

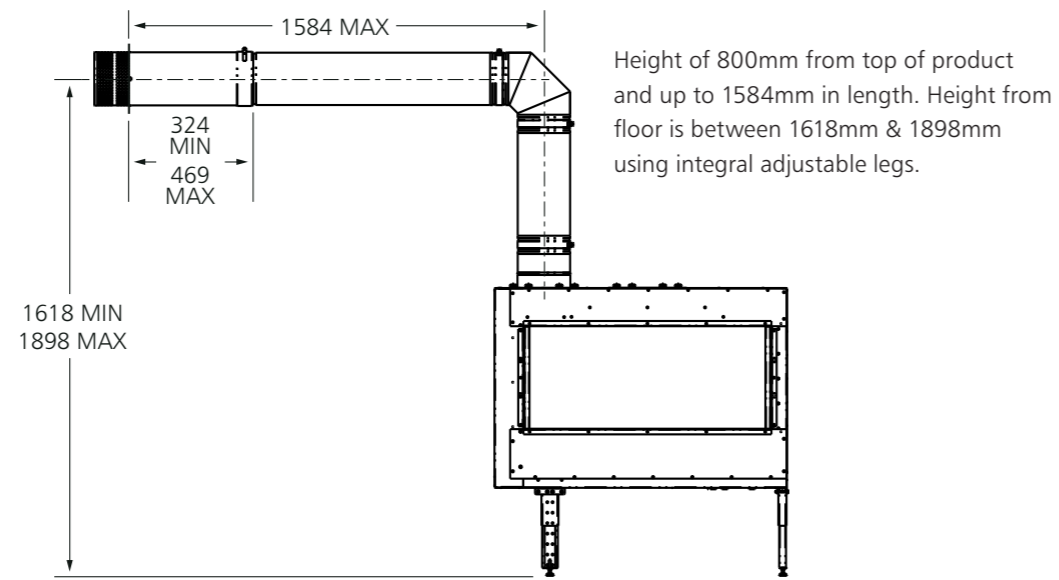
The following diagrams show our various balanced flue installation possibilities for each of our gas fires. For more detailed information please refer to the product installation manual.

GLIMPSE, GLIMPSE DUPLEX, GLIMPSE TRIPLEX

### Vertical balanced flue installation

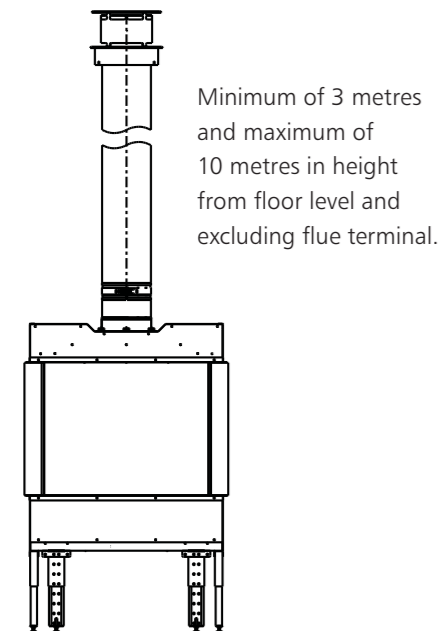


### Horizontal balanced flue installation

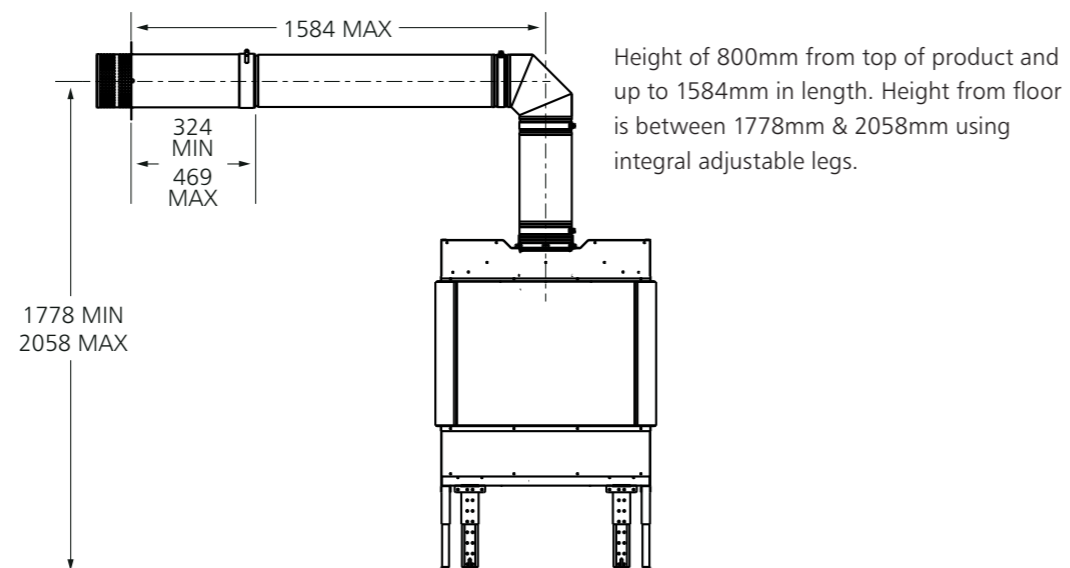


LUXE

### Vertical balanced flue installation



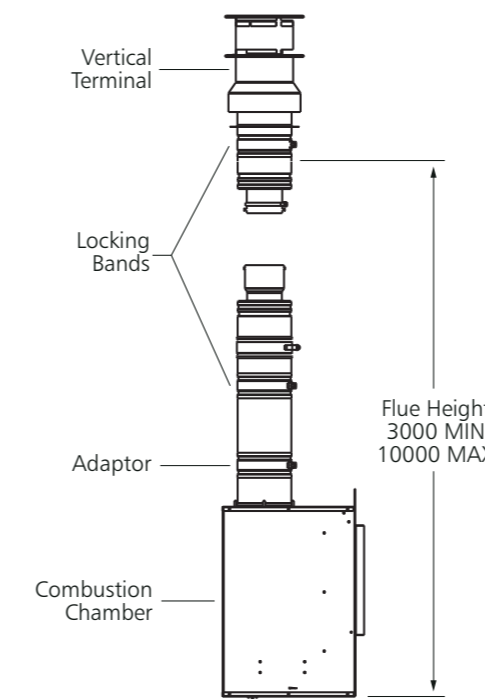
### Horizontal balanced flue installation



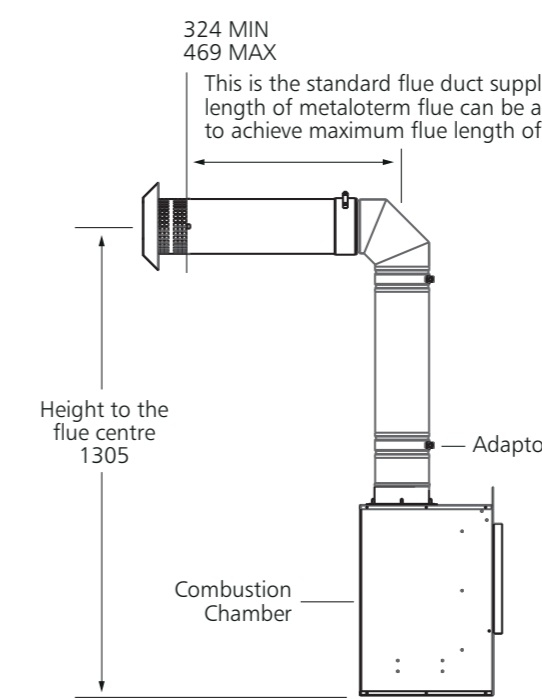
## Balanced Flue Installations

CARMELO

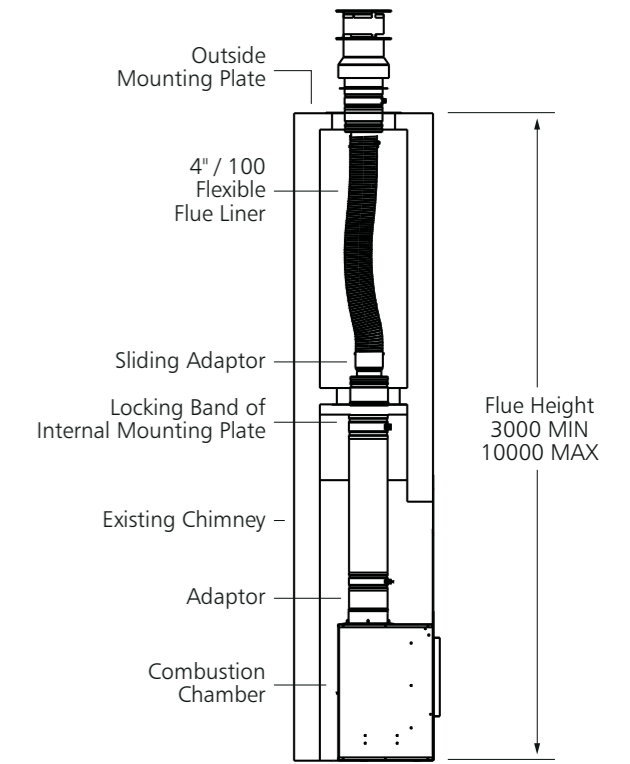
### Vertical balanced flue installation



### Horizontal balanced flue installation

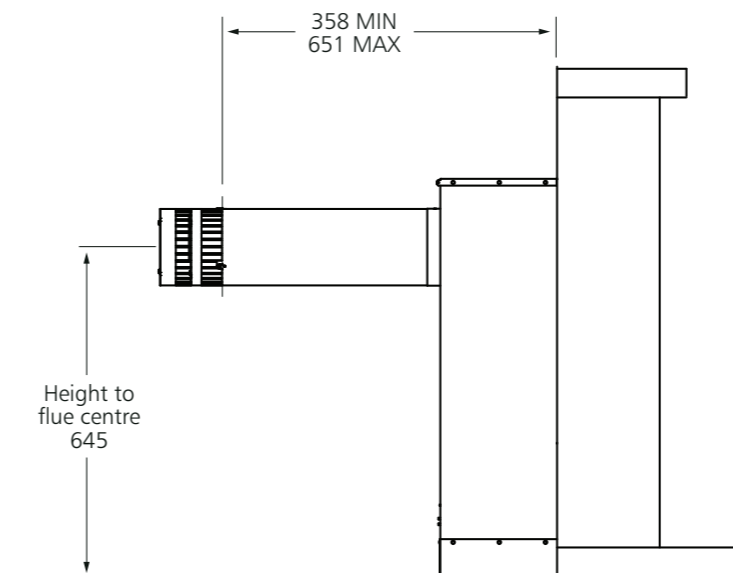


### Chimney conversion balanced flue kit



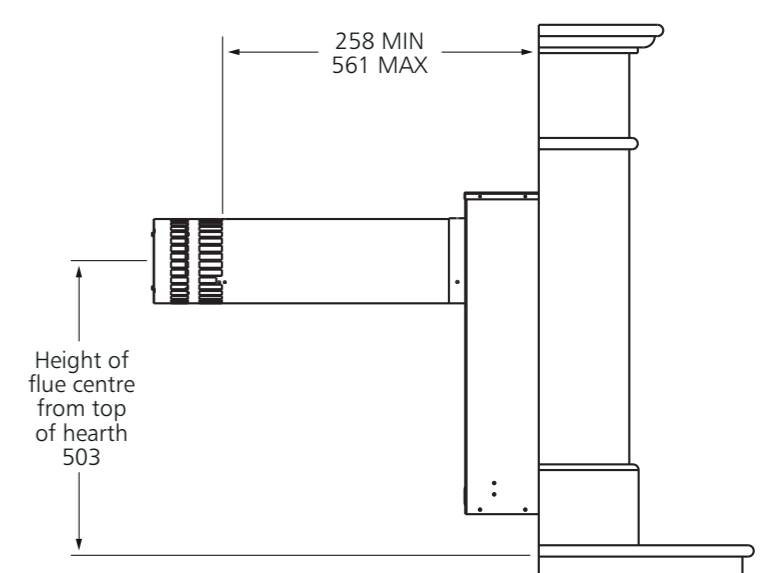
AVELLI ILLUMIA

### Horizontal balanced flue installation



BOTICELLI FLORENTINE SLIMLINE

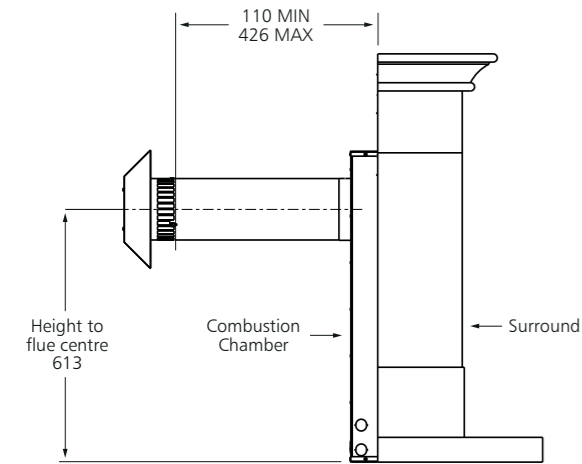
### Horizontal balanced flue installation



# Balanced Flue Installations

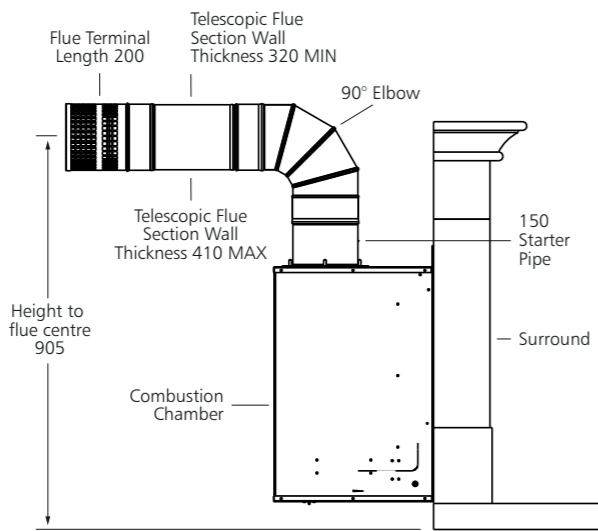
PARADA ELITE SLIMLINE

## Horizontal balanced flue installation



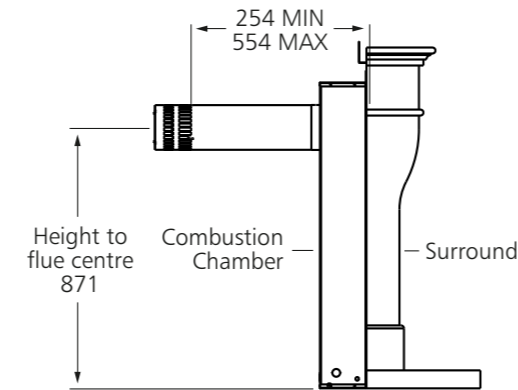
PARADA ILUMIA 58L, 54L & 54S

## Horizontal balanced flue installation



BOTICELLI & DA VINCI SLIMLINE

## Horizontal balanced flue installation

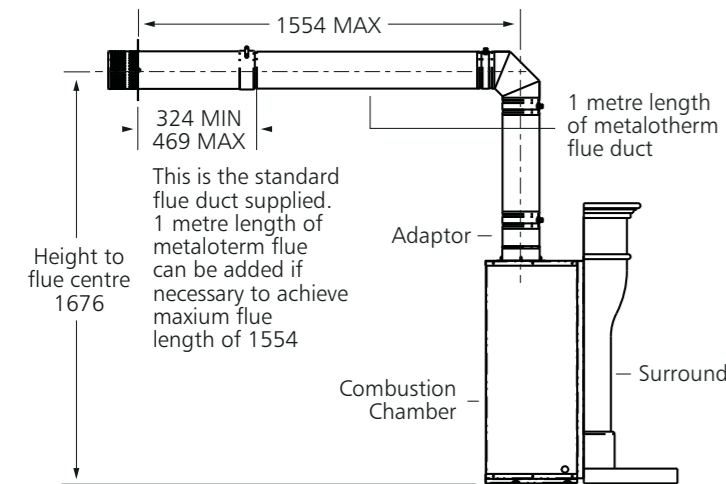


## Chimney conversion balanced flue kit

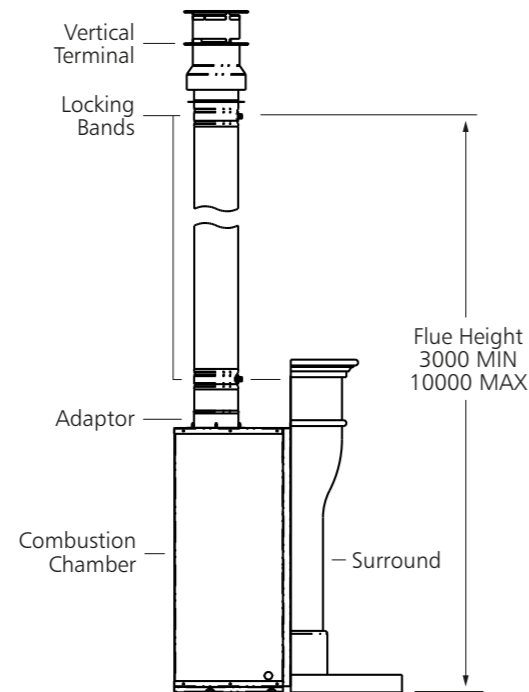
The existing chimney must have a minimum cross-sectional area of 22,500mm<sup>2</sup> to provide sufficient air flow to fit the chimney conversion kit.

DA VINCI ILLUMIA AND DISTINCTION ILLUMIA

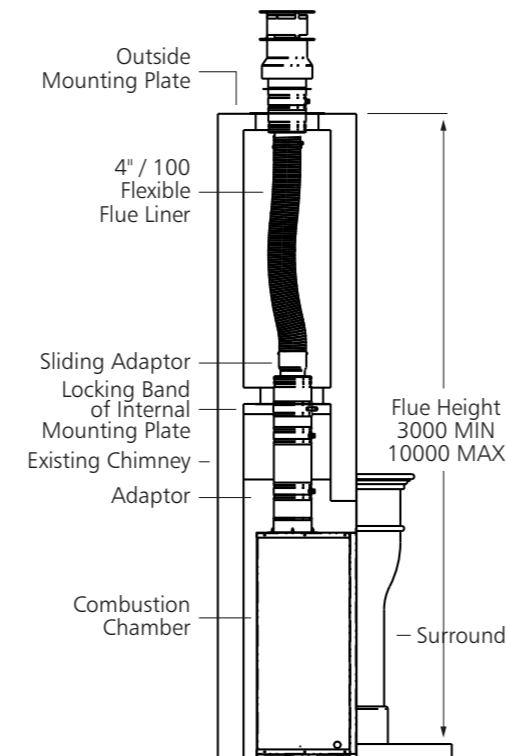
## Horizontal balanced flue installation



## Vertical balanced flue installation



## Chimney conversion balanced flue kit



## WARNING

BFM Europe Limited is a Gas Safe Registered company. We recommend that all of our fires are installed by Gas Safe Registered engineers in accordance with our instructions.

## DISCLAIMER

Our policy is one of constant development and improvement. We therefore reserve the right to revise designs and specifications of our products without formal notice, patents pending. We always recommend our products be viewed in an approved showroom before purchase.

Whilst we have taken every care in the preparation of this brochure it is not intended to replace the installation manual which provides more detailed information.

Photography is for illustration purposes only and although every effort has been made to ensure accurate reproduction of typical installations and flame pictures they may vary according to fire model and flue types.

We accept no liability for any loss or damage arising directly or indirectly from the use of this brochure. We recommend that all our fires are used in conjunction with central heating and not as a primary source of heat. In the interests of personal safety a suitable fireguard is recommended when children, the elderly and the infirm are present.

*This brochure is copyright 2018 and must not be reproduced in whole or in any part without prior written permission.*

