

STOVAX
Fire Your Imagination



RIVA

WOODBURNING & MULTI-FUEL
CASSETTE FIRES, STOVES & OPEN CONVECTOR FIRES



RIVA

When you choose a Riva, you are not only choosing a high efficiency stove or fire at the pinnacle of performance and design, you are also choosing a perfectly formed addition to your home that will create a stylish and elegant centrepiece.

The Riva range is the result of over 35 years of dedication to the development of exceptional woodburning and multi-fuel stoves and fires, providing outstanding flame visuals and superior heating efficiency, thanks to advanced Cleanburn* combustion systems.

Built to last and easy to operate, Riva stoves and fires are expertly crafted to provide you with years of warmth and enjoyment.

STOVAX
Fire Your Imagination

* Cassette and stove models only





*Riva 50 with handle removed and standard
3 sided frame, both in Metallic Black*

SIT BACK & RELAX...

Choosing a fire for your home shouldn't be a stressful experience, we want you to be happy and relaxed from the moment you pick up this brochure, to the first time you light your kindling and for many years after! That's why we have carefully selected Expert Retailers to help you.

Expert Retailer Network

We take great care to ensure that our fires and stoves are designed, tested and manufactured to the highest possible quality and safety standards. We are just as concerned to make certain that they are sold and installed correctly so that you enjoy years of pleasure from your purchase.

Accordingly, you will find our products are only available from experienced, independent retailers who will be happy to show you a selection of models locally in their showrooms, often fully operational. These independent retailers will discuss your individual requirements both technical (such as sizing the heat output to your room and advising on your chimney system) and visual, to ensure that you select the most appropriate product for your home. They will also be able to advise on, or assist with, the installation process as well as help provide any after-sales support and servicing your appliance may require in the future.

Whilst we encourage our retailers to promote fireplace products and their outlets via the internet, we do not believe suitable levels of customer care and satisfaction can be obtained from purchasing the product only online and we would strongly recommend that you consider this when undertaking your research and making a purchasing decision. Furthermore, please be aware that we do not offer technical support (beyond our statutory responsibilities) to products bought via nationwide online sales, where this support would normally be offered by one of our qualified, independent retailers.

Extended Warranty

When you choose a Stovax fire or stove, quality and technology are assured. Accordingly, when you purchase your new fire from a Stovax Expert Retailer they will provide you with a Two Year Warranty. This can then be extended to a Five Year Warranty provided your Riva Fire is registered with Stovax. Fires and stoves purchased outside Stovax's Expert Retailer Network will carry a standard 12 month non-extendable warranty. Further details of this warranty are on page 52.



INNOVATION & INSPIRATION...

The space in which you live is an expression of your individual style. Riva convectors, cassettes and freestanding stoves have been designed to create a striking focal point and become the very heart of your home. Be inspired by their designs, impressed by their high levels of heating efficiency and admire their ease of control. Then simply relax in front of a real fire.

CE Marked & HETAS Accredited

All fires and stoves in this brochure are CE Marked. This means they have been independently tested to exacting European standards for heating efficiency, emissions and safety. All Riva cassettes and freestanding stoves have also been accredited by HETAS, the UK's official body recognised by the government to approve solid fuel domestic heating appliances.



Wood or Smokeless Fuel

Most Riva fires have options which will allow you to burn either logs or smokeless fuel. All Riva cassettes and freestanding fires have a flat fuel bed because logs burn best on a level bed of ash. Smokeless fuels however, burn better on a raised grate that allows air to be drawn in from underneath. The skilful design of the Riva range permits the combustion of either fuel with equal proficiency with the exception of the Riva 76 cassette and Riva F76 Freestanding which have been designed as dedicated woodburning models only.

Woodburning

All models in this brochure have been designed for the burning of wood with optimum efficiency. Wood is an environmentally friendly fuel; when burnt, the carbon dioxide released into the atmosphere is approximately the same as that absorbed by the tree during growth. It is also a renewable resource, particularly when derived from plantations and cultivated woodland.

For optimum results, we recommend logs should be seasoned for 2 years or more to achieve a moisture content below 20%. This will not only give twice the output of freshly felled timber but also help avoid a build up of tar in your flue. Furthermore, if you can obtain hardwood logs this is better still, as they will have a significantly increased calorific value than softwoods for the same volume.



Riva F40 Freestanding with handle removed in Metallic Black on Riva 100 High Bench.

Smoke Control Area Approved

Many town and city homes are located in Smoke Control Areas as designated by the Clean Air Act 1993. The majority of Riva cassette fires and freestanding fires, when fitted with the appropriate kit, have been approved for the burning of wood in these areas, meaning that even the most urban of homes can benefit from this environmentally friendly fuel source.



Riva 50 with removable handle in situ and standard 4 sided frame, both in Metallic Black



CHOOSING YOUR FIRE OR STOVE...

This brochure offers you three distinctive ranges; High Efficiency Glass Fronted Riva Cassette fires, Riva Freestanding stoves and Riva Open Fires, each has its own styling and technical capabilities. All three ranges present a perfect union of form and function, and provide your home with all the warming luxury of a real fire.

RIVA | CASSETTES 08-27



The Riva range can burn wood and multi-fuel and is available in six sizes, all of which are available as hearth-mounted 3-sided models or 4-sided models for installations further up the wall.

Riva cassettes feature our classic Profil frame which is available in standard or wide formats and with a choice of five sophisticated colour options!

RIVA | FREESTANDING 28-37



The Riva Freestanding range offers truly stunning portrait and landscape stove options. Displaying the same breathtaking flame visuals as the cassette models, freestanding models are available in three sizes to complement your home.

Looking equally impressive installed into an inglenook, freestanding in your room or mounted on a stove bench, these contemporary stoves provide a stunning centrepiece with extensive styling possibilities.

RIVA | OPEN 38-45



For those who are looking for the traditional ambience of an open fire, there are the Riva Open Convector Fires, available in a range of sizes and with both traditional and contemporary styling options to suit a wide variety of fireplace types.

RIVA | OUTSTANDING EFFICIENCY FIRES

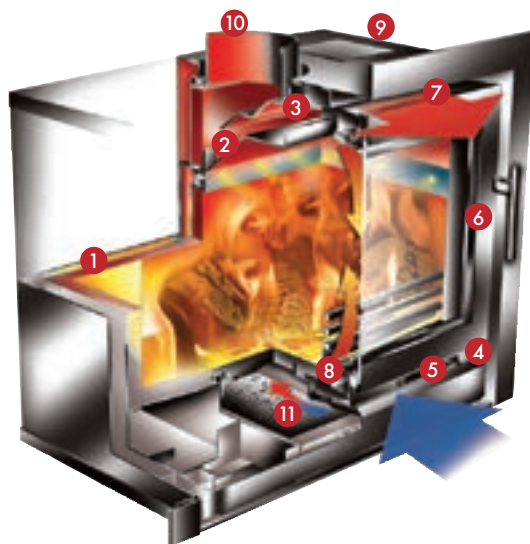
Riva cassettes incorporate the very latest Cleanburn technology with a unique 'Opti-Burn' setting. This means that they burn logs or smokeless fuels with outstanding efficiency, resulting in more heat delivery into the room and less going up the chimney. In addition to the radiant heat, a fourth airflow between the inner and outer skins of the Riva provides convected heat. This is emitted into the room naturally or, in the case of the 50, 55, 66 and 76, via an optional fan kit. These versatile cassette fires also offer the opportunity to heat other living spaces using an optional ducting system.



Riva cassettes direct three types of air into the glass-fronted firebox, where they combine to provide superb flame control and exceptional views of the fire, which are further enhanced by Stovax's Airwash system that helps keep the glass clean.

Key Design Features

1. High density, thermal brick liner system.
2. Heated air jets from Cleanburn ports on all three sides burn hydrocarbons in smoke.
3. Unique stainless steel baffle (multi-fuel).
4. Single combustion control lever.
5. Unique "Opti-Burn" setting provides optimum efficiency and visual effect for woodburning.
6. Airtight door with removable stainless steel handle.
7. Convected and radiant heat.
8. Externally operated riddling grate.
9. Convected heat ducting system outlets (Riva 50, 55, 66 & 76 cassettes only).
10. Easy fit flue connection through cassette.
11. Removable stainless steel ashpan.
12. Optional cast iron, multi-fuel kit† (not illustrated)
13. Optional stainless steel tool holder (not illustrated)
14. Optional Smoke Control Kit enables the burning of logs in Smoke Control Areas (Riva 40, 45, 50, 55 & 66 cassettes only - not illustrated)
15. Optional fan-assisted convection system (Riva 50, 55, 66 & 76 cassettes only - not illustrated)
16. Optional ash caddy (not illustrated)



Riva 66 with 4 sided, wide Profil frame both in Storm Metallic with removable handle in situ



†Required if smokeless fuel is to be used regularly

RIVA | CASSETTE SIZES



The outstanding Riva Cassette fire range is available in six different sizes, offering greater installation possibilities for interiors of all proportions. With three portrait, two landscape and one virtually square size, the beautifully designed Riva fires are the perfect blend of versatility and style. Riva cassettes are available in a choice of Metallic Black or Storm Metallic.

Choose from standard or wide Profil frames, both of which are available in three or four sided versions, depending on whether you want a traditional hearth mounted fire or a more contemporary 'hole in the wall' installation.

Cassette Sizes



	RIVA 40 <i>(pages 10 - 13)</i>	RIVA 45 <i>(pages 14 - 15)</i>	RIVA 50 <i>(pages 16 - 19)</i>	RIVA 55 <i>(pages 20 - 21)</i>	RIVA 66 <i>(pages 22 - 25)</i>	RIVA 76 <i>(pages 26 - 27)</i>
Heat Output	Nominal: 4.9kW Range: 1.7 - 7kW	Nominal: 5.0kW Range: 1.7 - 7kW	Nominal: 7.0kW Range: 2.2 - 10kW	Nominal: 8.0kW Range: 2.8 - 11kW	Nominal: 8.0kW Range: 2.8 - 11kW	Nominal: 9.0kW Range: 3.2 - 12kW
Max. Efficiency	82%	83%	83%	84%	80%	78%
Energy Efficiency Class	A	A+	A+	A+	A+	A
Wood & Multi-fuel	✓	✓	✓	✓	✓	Wood only
Max. Log Length	250mm (9¾")	250mm (9¾")	350mm (13¾")	350mm (13¾")	450mm (17¾")	510mm (20")

Frame Options



3 Sided Standard Profil Frame

3 Sided Wide Profil Frame

4 Sided Standard Profil Frame

4 Sided Wide Profil Frame

Riva 40 with removable handle in situ, and wide 3 sided frame both in Storm Metallic. Also shown: Brompton White Mantel available from Stovax



RIVA | 40



The smallest model in the Riva Cassette range has been specially designed to fit into a standard 22" (560mm) high x 16" (405mm) wide British fireplace opening with the chairbrick removed. So you can now update the look of your living room with minimal construction work, possibly even without the need to remove the existing hearth and mantel. Alternatively, the Riva 40 can be installed as a 'hole in the wall' fire.

In addition to providing excellent contemporary style, installing a Riva 40 significantly increases the level of heat in your room when compared to a conventional open fire. Combustion efficiency is up to four times greater; giving you more heat from your fuel.

Key Technical Data

Nominal Heat Output	4.9kW (1.7 - 7kW)
Max. Efficiency	82%
Energy Efficiency Class	A
Max. Log Length	250mm (9¾")
Flue Connection (internal diameter)	128mm (5")

Key Options and Accessories

Fire Finishes	Storm Metallic or Metallic Black
Multi-fuel Kit*	
Stainless Steel Tool Holder	
Smoke Control Kit	

Frames

- 3 sided, standard Profil
- 4 sided, standard Profil
- 3 sided, wide Profil
- 4 sided, wide Profil

Frame Finishes

- Storm Metallic
- Metallic Black

For detailed technical information, including firebox dimensions see pages 46 - 47.



Riva 40 with handle removed and standard 4 sided frame, both in Metallic Black.



*Required if smokeless fuel is to be used regularly - see page 47.



RIVA | 40



Both the Riva 40 cassette fire and frames are finished in a choice of Stovax's Storm or Metallic Black paints. The Riva 40 is also approved for the burning of wood in Smoke Control Areas*, so this compact and contemporary cassette can add style to your home wherever your location!

**When fitted with a Smoke Control Kit & used in accordance with the operating instructions. Additional information for the Riva 40 can be found on page 11.*

Key Technical Data

Nominal Heat Output	4.9kW (1.7 - 7kW)
Max. Efficiency	82%
Energy Efficiency Class	A
Max. Log Length	250mm (9¾")
Flue Connection (internal diameter)	128mm (5")

Key Options and Accessories

Fire Finishes	Storm Metallic or Metallic Black
Multi-fuel Kit*	
Stainless Steel Tool Holder	
Smoke Control Kit	

Frames

- 3 sided, standard Profil
- 4 sided, standard Profil
- 3 sided, wide Profil
- 4 sided, wide Profil

Frame Finishes

- Storm Metallic
- Metallic Black

For detailed technical information, including firebox dimensions see pages 46 - 47.

**Required if smokeless fuel is to be used regularly - see page 47.*



Riva 40 with removable handle in situ and standard 3 sided frame, both in Storm Metallic.



Riva 45 with handle removed and standard 3 sided frame, both in Storm Metallic

RIVA | 45



Featuring clean contemporary styling, the Riva 45 is available in either Storm Metallic or Metallic Black finishes, offering an impressive focal point and a 5kW heat output suitable for a wide range of rooms.

For a minimalist aesthetic, The Riva 45 can be fitted as a hole-in-the wall fire, seamlessly integrating with your interior. Alternatively, for a bigger visual impact, this striking fire can be enhanced with a choice of either 3-sided or 4-sided frames depending on whether it is hearth mounted or installed further up the wall.

Key Technical Data

Nominal Heat Output	5kW (1.7 - 7kW)
Max. Efficiency	83%
Energy Efficiency Class	A+
Max. Log Length	250mm (9¾")
Flue Connection (internal diameter)	128mm (5")

Key Options and Accessories

Fire Finishes	Storm Metallic or Metallic Black
Multi-fuel Kit*	
Stainless Steel Tool Holder	
Smoke Control Kit	

*Required if smokeless fuel is to be used regularly - see page 47.

Frames

- 3 sided, standard Profil
- 4 sided, standard Profil
- 3 sided, wide Profil
- 4 sided, wide Profil

Frame Finishes

- Storm Metallic
- Metallic Black

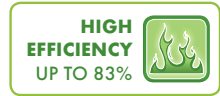
For detailed technical information, including firebox dimensions see pages 46 - 47.



Riva 45 with removable handle in situ and standard 4 sided frame, both in Metallic Black



RIVA | 50



Riva 50 with handle removed and standard 3 sided frame, both in Metallic Black

Giving a wonderful view of the radiant, dancing flames, the Riva 50 is an impressively efficient member of the Riva family. With clean, contemporary lines designed to fit into a 22" high and wide fireplace opening, the Riva 50 can be installed with relative ease on to a hearth with a 3 sided frame, or with a 4 sided frame to create a 'hole in the wall' look.

Further images are shown on the pages 3, 6 and 52.

Additional information for the Riva 50 can be found overleaf.

Key Technical Data

Nominal Heat Output	7.0kW (2.2 - 10kW)
Max. Efficiency	83%
Energy Efficiency Class	A+
Max. Log Length	350mm (13¾")
Flue Connection (internal diameter)	128mm (5")

Key Options and Accessories

Fire Finishes	Storm Metallic or Metallic Black
Fan convection kit (240v)	
Warm air ducting kit (2 outlets)	
Multi-fuel Kit*	
Stainless Steel Tool Holder	
Smoke Control Kit	

Frames

- 3 sided, standard Profil
- 4 sided, standard Profil
- 3 sided, wide Profil
- 4 sided, wide Profil

Frame Finishes

- Storm Metallic
- Metallic Black

For detailed technical information, including firebox dimensions see pages 46 - 47.

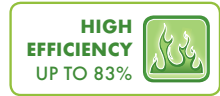
*Required if smokeless fuel is to be used regularly - see page 47.





Riva 50 with removable handle in situ and standard 4 sided frame in Metallic Black

RIVA | 50



Riva 50 with removable handle in situ and wide 4 sided frame, both in Storm Metallic



The Riva 50 can be fitted with an optional fan-assisted convection circulation kit, speeding up heat delivery into the room when the fire is first lit. This impressive cassette fire has also been approved for the burning of wood in Smoke Control Areas when fitted with an optional Smoke Control Kit.

Further images are shown on the pages 3, 6 and 52.

Additional information for the Riva 50 can be found on page 16.

Key Technical Data

Nominal Heat Output	7.0kW (2.2 - 10kW)
Max. Efficiency	83%
Energy Efficiency Class	A+
Max. Log Length	350mm (13¾")
Flue Connection (internal diameter)	128mm (5")

Key Options and Accessories

Fire Finishes	Storm Metallic or Metallic Black
Fan convection kit (240v)	
Warm air ducting kit (2 outlets)	
Multi-fuel Kit*	
Stainless Steel Tool Holder	
Smoke Control Kit	

Frames

- 3 sided, standard Profil
- 4 sided, standard Profil
- 3 sided, wide Profil
- 4 sided, wide Profil

Frame Finishes

- Storm Metallic
- Metallic Black

For detailed technical information, including firebox dimensions see pages 46 - 47.

*Required if smokeless fuel is to be used regularly - see page 47.





Riva 50 with removable handle in situ and standard 3 sided frame, both in Metallic Black. Shown with Stovax Medium Contemporary Log Holder



*Riva 55 with handle removed and standard 4 sided frame in Storm Metallic.
The optional tool holder is also shown, see page 47 for details.*

RIVA | 55



Providing greater heat output and a larger window to view the swirling flames, the Riva 55 can be installed into a fireplace opening that is 915mm h x 915mm w x 460mm d (36" h x 36" w x 18" d).

The Riva 55 offers you two accessories to enhance your heating options. The first is fan-assisted convection for reducing the time it takes to warm the room when the Riva is first lit. The second is a ducting system that can distribute warm air into the same room or to other living spaces. Installing the fan and ducting system together really will maximise the benefits from this impressive 8kW cassette fire.

Further images are shown on the page 53.

Key Technical Data

Nominal Heat Output	8.0kW (2.8 - 11kW)
Max. Efficiency	84%
Energy Efficiency Class	A+
Max. Log Length	350mm (13¾")
Flue Connection (internal diameter)	128mm (5")

Key Options and Accessories

Fire Finishes	Storm Metallic or Metallic Black
Fan convection kit (240v)	
Warm air ducting kit (2 outlets)	
Multi-fuel Kit*	
Stainless Steel Tool Holder	
Smoke Control Kit	

Frames

- 3 sided, standard Profil
- 4 sided, standard Profil
- 3 sided, wide Profil
- 4 sided, wide Profil

Frame Finishes

- Storm Metallic
- Metallic Black

For detailed technical information, including firebox dimensions see pages 46 - 47.

*Required if smokeless fuel is to be used regularly - see page 47.



Riva 55 with removable handle in situ and standard 3 sided frame, both in Metallic Black.



RIVA | 66



Not only will this magnificent landscape cassette fire provide you with significant heating capacity, but it will also be a stunning focal point in your living room. Although it is possible for the Riva 66 to be fitted into certain fireplace openings, to achieve such installations the deep Spacer versions of the Profil frames may be required to accommodate the extra depth of the firebox. Alternatively, this model is ideal for new-build homes, barn conversions or where major refurbishment is taking place and a larger opening can be constructed.

If you expect to burn smokeless fuel, a multi-fuel kit must be fitted due to the larger firebox. Not only does this decrease the amount of fuel you need to load but it also guides the fuel and cinders towards the grate for improved combustion. However, you may still burn wood with equal efficiency.

Additional information for the Riva 66 can be found overleaf.

Key Technical Data

Nominal Heat Output	8.0kW (2.8 - 11kW)
Max. Efficiency	80%
Energy Efficiency Class	A+
Max. Log Length	450mm (17¾")
Flue Connection (internal diameter)	153mm (6")

Key Options and Accessories

Fire Finishes	Storm Metallic or Metallic Black
Fan convection kit (240v)	
Warm air ducting kit (2 outlets)	
Multi-fuel Kit*	
Stainless Steel Tool Holder	
Smoke Control Kit	

Frames

- 3 sided, standard Profil
- 4 sided, standard Profil
- 3 sided, wide Profil
- 4 sided, wide Profil
- 3 sided Profil spacer frame†
- 4 sided Profil spacer frame†

Frame Finishes

- Storm Metallic
- Metallic Black

For detailed technical information, including firebox dimensions see pages 46 - 47.

*Required if smokeless fuel is to be used regularly - see page 47.

†Enables the Riva 66 to fit into 350mm fireplace recesses - see page 47.



Riva 66 with removable handle in situ and standard 4 sided frame, both in Metallic Black.

*Riva 66 with removable handle in situ and
standard 3 sided frame, both in Storm Metallic*



RIVA | 66



You can optimise the heating potential of the Riva 66 with two accessories. Firstly, a fan-assisted convection kit, which boosts warm air entering the room at the flick of a switch. Secondly, a ducting system that diffuses some of the heat to other points in the same room or into other living spaces. For ultimate heat distribution, install both the fan and ducting system.

Both the cassette fire and frames are finished in a choice of Stovax's Storm or Metallic Black paints.

Further images of the Riva 66 are shown on pages 8 and 55.

Key Technical Data

Nominal Heat Output	8.0kW (2.8 - 11kW)
Max. Efficiency	80%
Energy Efficiency Class	A+
Max. Log Length	450mm (17¾")
Flue Connection (internal diameter)	153mm (6")

Key Options and Accessories

Fire Finishes	Storm Metallic or Black Metallic
Fan convection kit (240v)	
Warm air ducting kit (2 outlets)	
Multi-fuel Kit*	
Stainless Steel Tool Holder	
Smoke Control Kit	

Frames

- 3 sided, standard Profil
- 4 sided, standard Profil
- 3 sided, wide Profil
- 4 sided, wide Profil
- 3 sided Profil spacer frame†
- 4 sided Profil spacer frame†

Frame Finishes

- Storm Metallic
- Metallic Black

For detailed technical information, including firebox dimensions see pages 46 - 47.

*Required if smokeless fuel is to be used regularly - see page 47.

†Enables the Riva 66 to fit into 350mm fireplace recesses - please see page 47.



Riva 66 with handle removed and wide 4 sided frame, both in Metallic Black.



RIVA | 76



Riva 76 with handle removed and standard 3 sided frame, both in Storm Metallic.
The optional tool holder is also shown, see page 47 for details.



A woodburning model only, the largest cassette in our range offers not only a truly panoramic view of the flames but also provides a powerful heating performance. Additionally, its larger dimensions make the Riva 76 particularly suited to new, architect-designed homes or where renovation work to a larger, existing property is being considered.

The Riva 76 features an 'Opti-Burn' setting for maximum fuel efficiency. However, it can also be fitted with a fan-assisted convection kit and a ducting system as additional options. The fan-assisted convection kit provides an immediate boost of warm air into the room at the touch of a switch whilst the ducting system allows you to distribute some of the heat to other parts of the same room or to adjacent spaces.

Key Technical Data

Nominal Heat Output	9.0kW (3.2 - 12kW)
Max. Efficiency	78%
Energy Efficiency Class	A
Max. Log Length	510mm (20")
Flue Connection (internal diameter)	153mm (6")

Frames

- 3 sided, standard Profil
- 4 sided, standard Profil
- 3 sided, wide Profil
- 4 sided, wide Profil

Frame Finishes

- Storm Metallic
- Metallic Black

Key Options and Accessories

Fire Finishes	Storm Metallic or Black Metallic
Fan convection kit (240v)	
Warm air ducting kit (2 outlets)	
Stainless Steel Tool Holder	

For detailed technical information, including firebox dimensions see pages 46 - 47.





Riva 76 with removable handle in situ and standard 4 sided frame, both in Metallic Black.

RIVA | FREESTANDING STOVES

Outstanding Efficiency

Stovax Riva Stoves all feature the latest Cleanburn combustion systems, allowing them to burn logs or solid fuels with outstanding efficiency, resulting in more heat delivery into the room and less going up the chimney. This technological advancement is achieved by introducing pre-heated, secondary air into the firebox to burn the excess hydrocarbons in the smoke. The airflow system also features Airwash which keeps the window clean, allowing you to enjoy the flames to the full.



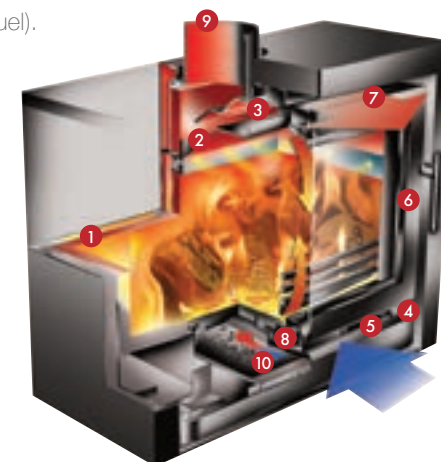
Stove Sizes



	RIVA F40 FREESTANDING <i>(pages 30 - 31)</i>	RIVA F66 FREESTANDING <i>(pages 32 - 33)</i>	RIVA F76 FREESTANDING <i>(pages 34 - 35)</i>
Heat Output	Nominal: 5.0kW Range: 1.7 - 7kW	Nominal: 8.0kW Range: 2.8 - 11kW	Nominal: 9.0kW Range: 3.2 - 12kW
Max. Efficiency	81%	80%	78%
Energy Efficiency Class	A	A+	A
Wood & Multi-fuel	✓	✓	Wood
Max. Log Length	250mm (9¾")	450mm (17¾")	500mm (20")
Dimensions (w x h x d)	451 x 602 x 355mm	698 x 602 x 405mm	788 x 663 x 409mm
Finish Options	Black or Storm Metallic	Black or Storm Metallic	Black or Storm Metallic

Key Design Features

1. High density, thermal brick liner system.
2. Heated air jets from Cleanburn ports on all three sides burn hydrocarbons in smoke.
3. Unique stainless steel baffle (multi-fuel).
4. Two combustion control levers.
5. Unique "Opti-Burn" setting provides optimum efficiency and visual effect for woodburning.
6. Airtight door with removable stainless steel handle.
7. Convected and radiant heat.
8. Externally operated riddling grate.
9. Top or rear flue exit connecting stove to flue pipe.
10. Removable stainless steel ashpan.
11. Optional cast iron, multi-fuel kit[†] (not illustrated).
12. Optional stainless steel tool holder (not illustrated).
13. Optional ash caddy (not illustrated).
14. Optional stove benches (not illustrated - see page 36).
15. Optional Smoke Control Kit enables the burning of logs in Smoke Control Areas (Riva F40 & F66 stoves only - not illustrated).



[†]Required if smokeless fuel is to be used regularly

Smoke Control Area Approved

The Riva F40 & F66 Freestanding are approved for the burning of logs in Smoke Control Areas (when the appropriate smoke control kit is fitted) and this is shown on the relevant product pages. Your Stovax retailer can give you further help and advice.



Please note this information is a summary only. For further technical information please see page 48.





*Riva F40 Freestanding in Metallic Black
with removable handle in situ.*

RIVA | F40 FREESTANDING



Incorporating all the latest firebox technology of the Riva 40 Cassette, the Riva F40 Freestanding is a compact stove offering stylish lines and impressive heating performance. It has full multi-fuel capability (complete with 'Opti-Burn' setting), Airwash to help keep the glass window clear, externally operated riddling (accessed via the special ashpit door) and a choice of top or rear flue exits.

In addition to hearth-mounting, there is a choice of ten Riva Benches available (please see pages 36 - 37 for details) to provide alternative styling options. The Riva F40 Freestanding is finished in a choice of Stovax's Storm or Metallic Black paints.

Further images of the Riva F40 Freestanding on pages 5.

Key Technical Data

Nominal Heat Output	5kW (1.7 - 7kW)
Max. Efficiency	81%
Energy Efficiency Class	A
Max. Log Length	250mm (9¾")
Flue Connection (internal diameter)	128mm (5")

Key Options and Accessories

- Riva Stove Benches
- Stainless Steel Tool Holder
- Multi-fuel Kit*
- Smoke Control Kit

Stove Finishes

- Storm Metallic
- Metallic Black

**Required if smokeless fuel is to be used regularly - see page 47.*

For detailed technical information, including firebox dimensions see page 48.



Riva F40 Freestanding with handle removed in Storm Metallic.

RIVA | F66 FREESTANDING



Riva F66 Freestanding in Storm Metallic with removable handle in situ.



If you are looking for the greater heating performance of the multi-fuel Riva 66 cassette, but wish to combine this with the hearth-mounted appeal of a contemporary stove, then the F66 Freestanding provides a stylish, elegant solution.

The F66 Freestanding can be placed on the Riva Bench (please see pages 36 - 37 for details). Available in various sizes these benches will present a distinctive focal point whether freestanding in an open living space or positioned in a larger fireplace opening.

Key Technical Data

Nominal Heat Output	8kW (2.8 - 11kW)
Max. Efficiency	80%
Energy Efficiency Class	A+
Max. Log Length	450mm (17¾")
Flue Connection (internal diameter)	153mm (6")

Key Options and Accessories

- Riva Stove Benches
- Stainless Steel Tool Holder
- Multi-fuel Kit*
- Smoke Control Kit

Stove Finishes

- Storm Metallic
- Metallic Black

*Required if smokeless fuel is to be used regularly - see page 47.

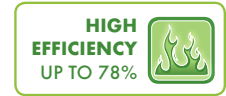
For detailed technical information, including firebox dimensions see page 48.







RIVA | F76 FREESTANDING



Wider still than the F66, the F76 Freestanding is a woodburning appliance only. However, it has the potential to create an outstanding landscape centrepiece within larger rooms or living spaces, particularly as the Airwash system helps keep the expansive window clear, allowing you to enjoy the flames to the full.

The Cleanburn technology and 'Opti-Burn' setting also offers you powerful, yet efficient, heating capacity. With up to 9kW available, the prospect of warm winters in front of a real log fire awaits you.

The F76 Freestanding can be hearth-mounted or, for an alternative style and look, placed on either a 100cm, 120cm, 140cm or 180cm Riva Bench. Details of Riva Benches can be found on page 36.

Key Technical Data

Nominal Heat Output	9kW (3.2 - 12kW)
Max. Efficiency	78%
Energy Efficiency Class	A
Max. Log Length	500mm (20")
Flue Connection (internal diameter)	153mm (6")

Key Options and Accessories

- Riva Stove Benches
- Stainless Steel Tool Holder

Stove Finishes

- Storm Metallic
- Metallic Black

For detailed technical information, including firebox dimensions see page 48.



Riva F76 Freestanding with removable handle in situ in Metallic Black.



RIVA | BENCHES



Riva F40 Freestanding with removable handle in situ, in Metallic Black on Riva 100 High Bench

To assist designers and homeowners in creating a flexible alternative to the 'on hearth' mounting of Riva Freestanding stoves, Stovax offers ten sizes of Bench to which the stoves may be secured.

Standing 250 or 350mm high with a sturdy steel construction and a durable black finish, you can not only match the Bench to the space available but also accommodate individual styling requirements. For example, appliances can be positioned centrally on the Bench or offset to one side. Finished in a durable Matt Black the Riva Benches can provide either the perfect complement or create a striking contrast depending on your stove colour choice.

The lengths available are 45cm, 100cm, 120cm, 140cm and 180cm with a depth of 420mm (the 180 Bench has a depth of 465mm), and the legs are each 60mm wide.



45 High*
RVACB45BHT



100 High
RVACB100BHT



120 High
RVACB120BHT



140 High
RVACB140BHT



45 Low*
RVACLB45BHT



100 Low
RVACLB100BHT



120 Low
RVACLB120BHT



140 Low
RVACLB140BHT



180 High
RVACLB180BHT



180 Low
RVACLB180BHT

Dimensions (w x h x d)

High Benches: 450/1000/1200/1400/1800 x 350 x 420/465mm

Low Benches: 450/1000/1200/1400/1800 x 250 x 420/465mm

Key Facts

Sturdy steel construction	✓
Choice of 4 widths and 2 heights	✓
Durable Matt Black finish	✓
Proportioned 60mm wide legs	✓
Allows for central or offset stove positioning	✓

**Only suitable for the Riva F40 Freestanding.*



RIVA | OPEN CONVECTOR FIRES

Improved Heating Performance

Everyone loves the warmth and atmosphere of an open fire with dancing flames, crackling logs or glowing coals. Unfortunately, open fires are not always very efficient at heating your room. An exception to this, the latest Riva Open Convector fires from Stovax provide you with the best of both worlds – a real open fire yet with a heating efficiency double that of a normal grate or hearth mounted appliance. This is because the Riva Open has been designed to produce warm convected air as well as radiant heat.

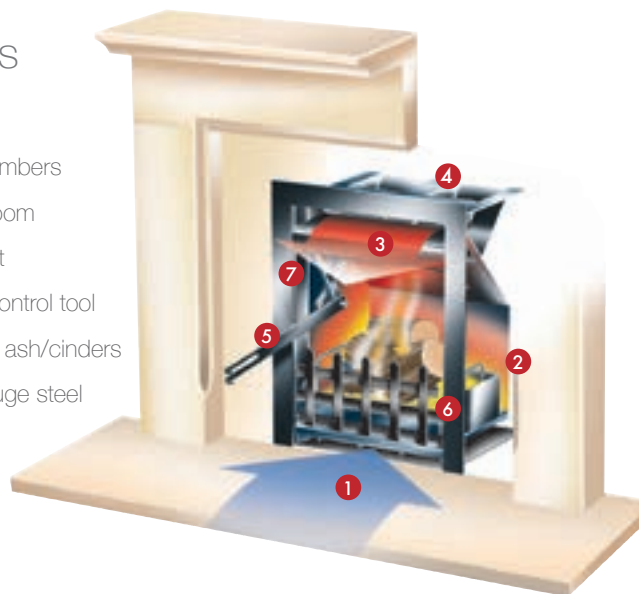
Versions for most chimneys

Suitable for most homes (if your house has a chimney* you can almost certainly install a Riva Open fire), these versatile fires are available in five widths and two different heights so that they may be fitted into a wide variety of fireplace types and heat rooms of different proportions. There is also a choice of decorative styles to complement both traditional and contemporary interiors.

**Conforming to Building Regulations for solid fuels. If unsure, please check with your Stovax retailer.*

Key Design Features

1. Cooler air drawn in
2. Specially designed convection chambers
3. Warmed convected air flows into room
4. Design allows chimney to be swept
5. Removable multi-grate & damper control tool
6. Removable tray/pan for disposal of ash/cinders
7. Dual skin construction in heavy gauge steel



Convector Efficiency

Riva Open Convector fires have been specially designed to draw in cooler, ambient air and heat it in the convection chambers positioned either side and behind the visible 'firebox'. The warmed air passes out into the room through the top air vent, adding to the radiant heat emitted by the fire. Furthermore, there is an air control (operated by a removable handle) which allows you to have maximum draught for lighting the fire but, once ablaze, an even more efficient burn can be achieved by reducing the air flow. This control can also be partially closed when the fire is out to reduce down draughts from the chimney.



*Riva Open 16 Arts with black Holyrood front.
Shown here with Pembroke White surround (3567WW) which is also available from Stovax.*





RIVA | OPEN TRADITIONAL



Not just a model but a range in itself, the Riva Open Traditional Convector are available in five widths and two heights to suit the broadest possible variety of fireplace types and living spaces. Furthermore, the subtle styling allows the Riva Open Traditional range to blend easily with any style of fireplace from mellow stone to rustic brick and from classic marble to polished slate, so the opportunities to create a distinctive focal point in your home are immense.

For the burning of smokeless fuels there is a cast iron grate/ashpan whilst for woodburning you need to select a log tray together with your choice of log retainer front.

Frame information for the Riva Open Traditional range can be found overleaf.

For those who desire a traditional period aesthetic, there are a range of Victorian and Art Nouveau Tiled Convector Fireplaces from Stovax, rich in authentic detail, available in a selection of finishes and each utilising the same firebox technology as the Riva Open Convector range. For further details, please see the separate 'Classic Fireplaces' brochure which can be requested from your local retailer or can be viewed online at www.stovax.com.



Riva Open 16 Arts with cast iron basket.



Art Nouveau Convector Fireplace in Fully Polished Finish with 10 Purple Flag tiles and Pembroke White surround (3567WW) which is also available from Stovax.

Fire Size	Nominal Heat Output	Maximum Log Length (Cast Iron Basket)	Maximum Log Length (Log Tray)	Low Lintel Options
Riva Open 16"	4.0kW	215mm (8 ½")	320mm (12 ⅝")	✓
Riva Open 22"	6.5kW	365mm (8 ⅝")	470mm (18 ½")	✓
Riva Open 24"	8.0kW	465mm (8 ¼")	530mm (20 ⅞")	✓
Riva Open 26"	9.0kW	-	570mm (22 ½")	✓
Riva Open 28"	10.0kW	-	630mm (24 ¾")	✗

For additional options and technical information, including firebox dimensions see pages 50 - 51.

*For more information on Stovax Classic Tiled Convector Fireplaces please see Stovax's separate Classic Fireplaces brochure or speak to your Expert Retailer, alternatively you can visit www.stovax.com

RIVA | OPEN TRADITIONAL



Riva 22 Open Convector with black Holyrood front.

Personalisation of your Riva Open fire can be achieved with Profil clip-on frames. These are available in a choice of brass or brushed steel for most sizes of Riva Open Convector.

Additionally there is the Riva 16 Arts Open Convector which echoes the look of the 1920's & 30's with a beautifully curved frame that is finished in a subtle Matt Black to perfectly complement your choice of Holyrood or Portcullis front for a superb log burning fire. Alternatively, select the cast iron basket for burning smokeless fuels.

The Riva Open Traditional is finished in timeless Matt Black.

Further image on page 38.

Front Options	16"	22"	24"	26"	28"
Cast Iron Basket (required for multi-fuel)	8686	8687	Use 22"	8688	Use 26"
Ashpan (required for multi-fuel)	8652	8653	Use 22"	8654	Use 26"
Black Holyrood front with log tray*	8627	8628	8629	8630	N/A
Polished Holyrood front with log tray*	8627P	8628P	8629P	8630P	N/A
Portcullis front with log tray*	8678	8666	8667	8668	N/A
Castle front with log tray*	N/A	8623	8624	8625	N/A

Frame Options	16"	22"	24"	26"	28"
Profil Brass - low lintel	N/A	8636	8638	8640	N/A
Profil Brushed Stainless - standard height	8633BS	8635BS	N/A	8639BS	8626BS
Profil Brushed Stainless - low lintel	8674BS	8636BS	N/A	8640BS	N/A
Arts Matt Black	8700	N/A	N/A	N/A	N/A

For additional options and technical information, including firebox dimensions see pages 50 - 51.



RIVA | OPEN CONTEMPORARY



Riva Open 22 Contemporary with square frame and log tray with 3 bar log retainer (NB - Please see installation information on page 51).

Create a larger and distinctly modern look for your living space with the impressive Riva Open Contemporary. Choose from the Riva 16 with a rectangular frame or, alternatively, opt for the wider Riva 22 and Riva 26 versions which come with both square and rectangular frame styles.

All sizes can be specified for use with smokeless fuels or for the burning of seasoned logs and have a choice of two different log retainers to suit your styling preferences. There's also an optional clip-in sparkguard for peace of mind when the fire is left unattended.

The Riva Open Contemporary is finished in Matt Black.

Further image on page 41.

Fire Sizes	16"	22"	26"
Nominal Heat Output	4.0kW	6.5kW	9.0kW
Max. Log Length	320mm (12½")	470mm (18½")	570mm (22½")

Frame Options			
Steel frame - rectangular	8730	8732	8736
Steel frame - square	N/A	8733	8737

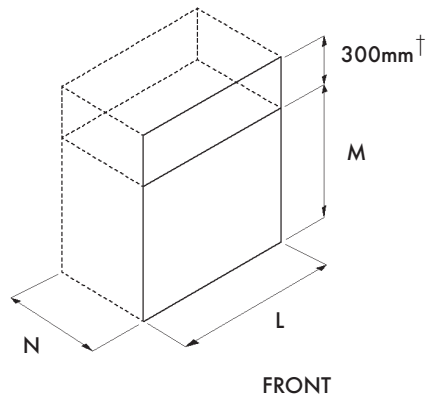
For additional options and technical information, including firebox dimensions see pages 50 - 51.



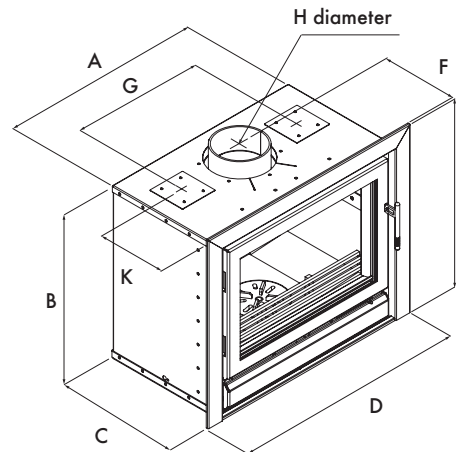
Riva Open 26 Contemporary with rectangular frame and log tray with 3 bar log retainer. (NB - Please see installation information on page 50).

RIVA CASSETTES | TECHNICAL INFORMATION

OPENING DIMENSIONS



RIVA CASSETTE DIMENSIONS



RIVA CASSETTES FRAME DIMENSIONS (MM)

Product Code	Description	Height	Width
Riva 40			
RV40PRO3/B	3 Sided, Standard	599	492
RV40PRO3W/B	3 Sided, Wide	646	586
RV40PRO4/B	4 Sided, Standard	645	492
RV40PRO4W/B	4 Sided, Wide	739	586
Riva 45			
RV45PRO3/B	3 Sided, Standard	709	492
RV45PRO3W/B	3 Sided, Wide	756	586
RV45PRO4/B	4 Sided, Standard	755	492
RV45PRO4W/B	4 Sided, Wide	849	586
Riva 50			
RV50PRO3/B	3 Sided, Standard	599	632
RV50PRO3W/B	3 Sided, Wide	646	726
RV50PRO4/B	4 Sided, Standard	645	632
RV50PRO4W/B	4 Sided, Wide	739	726
Riva 55			
RV55PRO3/B	3 Sided, Standard	709	632
RV55PRO3W/B	3 Sided, Wide	756	726
RV55PRO4/B	4 Sided, Standard	755	632
RV55PRO4W/B	4 Sided, Wide	849	726
Riva 66			
RV66PRO3/B	3 Sided, Standard	599	742
RV66PRO3W/B	3 Sided, Wide	645	836
RV66PRO3D/B	3 Sided Spacer [†]	599	742
RV66PRO4/B	4 Sided, Standard	645	742
RV66PRO4W/B	4 Sided, Wide	739	836
Riva 76			
RV76PRO3/B	3 Sided, Standard	678	862
RV76PRO3W/B	3 Sided, Wide	728	962
RV76PRO3D/B	3 Sided Spacer [†]	678	862
RV76PRO4/B	4 Sided, Standard	730	862
RV76PRO4W/B	4 Sided, Wide	830	962

(all dimensions in mm)	Riva 40	Riva 45	Riva 50	Riva 55	Riva 66	Riva 76
A	400	400	540	540	650	760
B	550	660	550	660	550	630
C	350	350	350	350	395	395
D	492	492	632	632	742	862
E	599	709	599	709	599	678
F	234	234	234	234	248	248
G	N/A	N/A	360	360	420	540
H ø	128	128	128	128	153	153
J	-	-	-	-	-	-
K	N/A	N/A	N/A	234	248	208
L	410	410	550	550	660	760
M	560	670	560	670	560	640
N	355	360	360	355	405*	405*
Flame Viewing Area (w x h)	269 x 325	269 x 435	409 x 325	409 x 435	503 x 325	590 x 375
Weight	80kg	80kg	80kg	100kg	110kg	125kg

*Dimension N may be reduced to 355mm when using Profil or Avanti box spacer frame. (3 sided RV66PRO3D/B & RV76PRO3D/B; 4 sided RV66PRO4D/B, RV76PRO4D/B for Riva cassettes)

†Extra height required when fitting Warm Air Ducting kit.

Please note the minimum distance to combustible materials for the Riva cassettes is 300mm, with the exception of the Riva 76 for which you should allow 150mm.

For full details please refer to the installation manual.

A HETAS approved installer should undertake a site survey prior to purchase and must install any Riva Cassette Fire. Your Stovax retailer will be able to advise on this and, in particular, the use of high temperature (1300°C) plaster/screed in the area around Riva cassettes. You may view/download complete installation instructions at our website - www.stovax.com. These diagrams cover some of the basic requirements. All fires should be installed by a competent person to the requirement of Building Regulations (Document J) and include the fitting of adequate ventilation to ensure safe use. Usually older buildings do not need any additional ventilation for appliances up to 5kW, but modern houses will need additional ventilation in all cases. The diagrams and dimensions on these pages cover some of the basic requirements and are for initial information purposes only.

RIVA CASSETTES INFORMATION & PRODUCT CODES

Product Code	Description	Heat Output	Fuel Type	Efficiency	Energy Efficiency Class
RV40	Riva 40 Cassette (Storm Metallic) ✓	5.0kW	Multi-fuel	82%	A
RV40B	Riva 40 Cassette (Metallic Black) ✓	5.0kW	Multi-fuel	82%	A
RV45	Riva 45 Cassette (Storm Metallic) ✓	5.0kW	Multi-fuel	83%	A+
RV45B	Riva 45 Cassette (Metallic Black) ✓	5.0kW	Multi-fuel	83%	A+
RV50	Riva 50 Cassette (Storm Metallic) ✓	7.0kW	Multi-fuel	83%	A+
RV50B	Riva 50 Cassette (Metallic Black) ✓	7.0kW	Multi-fuel	83%	A+
RV55	Riva 55 Cassette (Storm Metallic) ✓	8.0kW	Multi-fuel	84%	A+
RV55B	Riva 55 Cassette (Metallic Black) ✓	8.0kW	Multi-fuel	84%	A+
RV66	Riva 66 Cassette (Storm Metallic) ✓	8.0kW	Multi-fuel	80%	A+
RV66B	Riva 66 Cassette (Metallic Black) ✓	8.0kW	Multi-fuel	80%	A+
RV76	Riva 76 Cassette (Storm Metallic)	9.0kW	Wood	78%	A+
RV76B	Riva 76 Cassette (Metallic Black)	9.0kW	Wood	78%	A+

✓ These models are approved for use in Smoke Control Areas when fitted with an optional Smoke Control Kit.

RIVA CASSETTE ACCESSORY PRODUCT CODES

RVAC001	Stainless Steel Tool Holder for Riva 40, 45, 50, 55, 66 & 76
RV55FK	Fan-assisted convection circulation kit (240v) for Riva 50 & 55 (Storm Metallic)
RV55BFK	Fan-assisted convection circulation kit (240v) for Riva 50 & 55 (Metallic Black)
RV66FK	Fan-assisted convection circulation kit (240v) for Riva 66 (Storm Metallic)
RV66BFK	Fan-assisted convection circulation kit (240v) for Riva 66 (Metallic Black)
RV76FK	Fan-assisted convection circulation kit (240v) for Riva 76 (Storm Metallic)
RV76BFK	Fan-assisted convection circulation kit (240v) for Riva 76 (Metallic Black)
8572	Warm air ducting kit for Riva 50, 55, 66 & 76

Smoke Control Area Kits

RV40SCKIT	Smoke Control Kit for Riva 40 and 45
RV55SCKIT	Smoke Control Kit for Riva 50 and 55
RV66SCKIT	Smoke Control Kit for Riva 66

Multi-fuel Kits*

*Required if smokeless fuel is to be used regularly

RVAC082 *	Multi-fuel kit for Riva 40 and 45
RVAC101 *	Multi-fuel kit for Riva 50 and 55
RVAC002 *	Multi-fuel kit for Riva 66

Ash Caddies

4227	Ash Caddy for Riva 40, 45, 50, 55 and 66
4229	Ash Caddy for Riva 76

RIVA CASSETTE PROFIL SPACER FRAMES

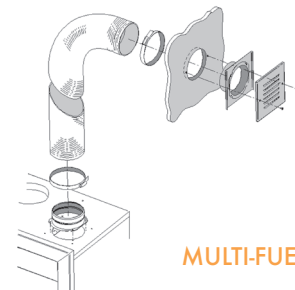
Like all Riva cassettes the Riva 66 and Riva 76™ fires can be fitted into a 350mm fireplace recess. However to achieve such an installation the innovative Profil Spacer Frame shown below should be used to accommodate the additional depth of the firebox. Please note the spacer frame is not available as a 4 sided standard or Wide Profil frame.



Standard (7mm deep)

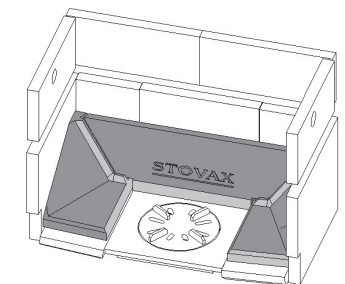


Spacer Frame (50mm deep)



MULTI-FUEL KIT FOR RIVA CASSETTES AND FREESTANDING STOVES

If you expect to burn smokeless fuels with a Riva Cassette or Riva Freestanding stove then you will need to fit the Multi-fuel Kit. By placing the cast iron guides into the base of the firebox, you will decrease the amount of fuel you need to load and allow the fuel and cinders to fall towards the grate for improved combustion. However, you may still burn logs with equal efficiency.



STAINLESS STEEL TOOL HOLDER FOR RIVA CASSETTES AND FREESTANDING STOVES

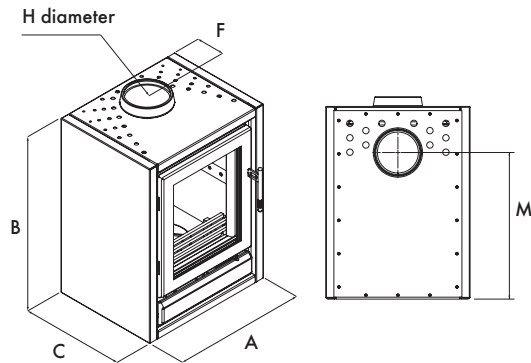
A handy place to hold both your ash pan tool and door opening tool, the optional tool holder can be either hearth or wall mounted and, being crafted from high grade stainless steel, is the perfect complement to the contemporary styling of the Riva Cassette and Stove ranges.



RIVA FREESTANDING

TECHNICAL INFORMATION

RIVA FREESTANDING



RIVA FREESTANDING DIMENSIONS*

(all dimensions in mm)	Riva F40 Freestanding	Riva F66 Freestanding	Riva F76 Freestanding
A	451	698	788
B	602	602	663
B (with plinth)	-	-	-
C	355	405	409
D	-	-	-
E	119	153	145
F	-	-	-
G	-	-	-
H ø	128	153	153
J	-	-	-
K	-	-	-
M	458	442	480
M (with plinth)	-	-	-
Flame Viewing Area (w x h)	268 x 322	503 x 325	590 x 375
Weight	82kg	100kg	125kg

RIVA STOVE INFORMATION AND PRODUCT CODES

Product Code	Description	Heat Output	Fuel Type	Efficiency	Energy Efficiency Class
RVF40C	Riva F40 Freestanding (Storm Metallic) ✓	4.9kW	Multi-fuel	81%	A
RVF40CB	Riva F40 Freestanding (Metallic Black) ✓	4.9kW	Multi-fuel	81%	A
RVF66	Riva F66 Freestanding (Storm Metallic) ✓	8.0kW	Multi-fuel	80%	A+
RVF66B	Riva F66 Freestanding (Metallic Black) ✓	8.0kW	Multi-fuel	80%	A+
RVF76	Riva F76 Freestanding (Storm Metallic)	9.0kW	Wood	78%	A
RVF76B	Riva F76 Freestanding (Metallic Black)	9.0kW	Wood	78%	A

✓ These models are approved for use in Smoke Control Areas when fitted with an optional Smoke Control Kit.

RIVA STOVES ACCESSORY PRODUCT CODES

RVAC001	Stainless Steel Tool Holder for Riva F40, F66 & F76 (see page 47)
---------	---

Smoke Control Area Kits

RV40SCKIT	Smoke Control Kit for Riva F40
RV66SCKIT	Smoke Control Kit for Riva F66

Multi-fuel Kits For Riva Freestanding Stoves* (see page 47 for further information)

RVAC082*	Multi-fuel kit for Riva F40	See page 47 for further information.
RVAC002*	Multi-fuel kit for Riva F66	See page 47 for further information.

Ash Caddies

4227	Ash Caddy for Riva F40, F66
4229	Ash Caddy for Riva 76

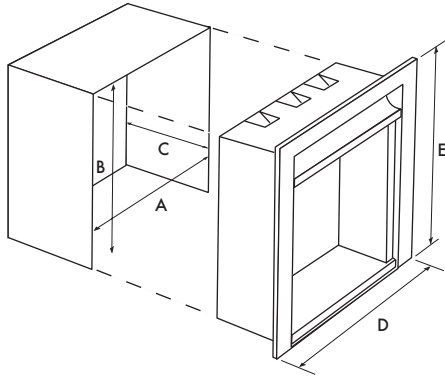
A HETAS approved installer should undertake a site survey prior to purchase and must install any Riva Stove. Your Stovax retailer will be able to advise on this and, in particular, the use of high temperature (1300°C) plaster/screed in the area around Riva stoves. You may view/download complete installation instructions at our website - www.stovax.com. These diagrams cover some of the basic requirements. All stoves should be installed by a competent person to the requirement of Building Regulations (Document J) and include the fitting of adequate ventilation to ensure safe use. Usually older buildings do not need any additional ventilation for appliances up to 5kW, but modern houses will need additional ventilation in all cases. The diagrams and dimensions on these pages cover some of the basic requirements and are for initial information purposes only.

* For stove benches to go with the freestanding models, please see pages 36 - 37.



RIVA OPEN FIRES | INFORMATION

A HETAS approved installer should undertake a site survey prior to purchase and must install any Riva Open Convector Fire. Your Stovax retailer will be able to advise on this and, in particular, the use of high temperature (1300°C) plaster/screed in the area around the fire. You may view/download complete installation instructions at our website - www.stovax.com. These diagrams cover some of the basic requirements. All fires should be installed by a competent person to the requirement of Building Regulations (Document J) and include the fitting of adequate ventilation to ensure safe use. Usually older buildings do not need any additional ventilation for appliances up to 5kW, but modern houses will need additional ventilation in all cases.



OPEN CONVECTOR FIRE DIMENSIONS

(all dimensions in mm)	16"	16" Low	22"	22" Low	24"	24" Low	26"	26" Low	28"
A	420	420	570	570	620	620	670	670	720
B	560	510	620	560	620	560	620	560	620
C	360	360	360	360	360	360	360	360	360
D	474	474	624	624	674	674	724	724	774
E	592	542	652	592	652	592	652	592	652
Weight	62kg	59kg	83kg	76kg	86kg	81kg	89kg	86kg	97kg

RIVA TRADITIONAL & ARTS PRODUCT CODES

	16"	22"	24"	26"	28"
Riva Open Convector - standard height	8610	8604	8606	8608	8673
Riva Open Convector - low lintel	8611	8605	8607	8609	N/A
Front/grate options					
Cast iron basket (required for multi-fuel)	8686	8687	Use 22"	8688	Use 26"
Ashpan (required for multi-fuel)	8652	8653	Use 22"	8654	Use 26"
Black Holyrood front with log tray†	8627	8628	8629	8630	N/A
Polished Holyrood front with log tray†	8627P	8628P	8629P	8630P	N/A
Portcullis front with log tray†	8678	8666	8667	8668	N/A
Castle front with log tray†	N/A	8623	8624	8625	N/A
Frame options					
Profil Brass - low lintel	N/A	8636	8638	8640	N/A
Profil Brushed Stainless - standard height	8633BS	8635BS	N/A	8639BS	8626BS
Profil Brushed Stainless - low lintel	8674BS	8636BS	N/A	8640BS	N/A
Arts Matt Black	8700	N/A	N/A	N/A	N/A
Other options					
Clip-in sparkguard - standard height*	8690	8691	8692	8693	8694
Clip-in sparkguard - low lintel*	8695	8696	8697	8698	N/A
Standard flue gather	N/A	8658	8659	8660	N/A
Offset flue gather	N/A	8663	8664	8665	N/A

RIVA CONTEMPORARY PRODUCT CODES

	16"	22"	26"
Riva Open Convector - standard height	8610	8604	8608
Frame options			
Steel Frame - rectangular	8730	8732	8736
Steel Frame - square	N/A	8733	8737
Tray options			
Multi-fuel tray	8705	8710	8720
Log tray	8706	8711	8721
Log retainer options			
4 bar log retainer (multi-fuel)	8708	8713	8723
3 bar log retainer (wood only)	8707	8712	8722
Solid log retainer (wood or multi-fuel)	8709	8714	8724
Other options			
Clip-in sparkguard	8740	8741	8743
Standard flue gather	N/A	8658	8660
Offset flue gather	N/A	8663	8665

*Can be used with Holyrood front options, but as freestanding only
 † For woodburning only

RIVA OPEN TRADITIONAL FRONTS



Portcullis front

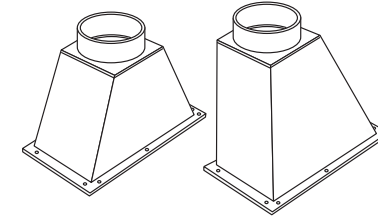


Castle front



Holyrood polished front
(NB: Black version of Holyrood features brass finials - see page 42)

FLUE GATHERERS



Aid installation by allowing Riva Open Convector Fires to be connected to 200mm enamelled twin-wall or flexible insulated flue pipe. Available in standard (central outlet) or offset versions to suit site conditions.

RIVA OPEN FRAME DIMENSIONS

Product Code	Description	Height (mm)	Width (mm)
Traditional Frames			
8633/BS	Profil 16	595	489
8674/BS	Profil 16L	545	489
8635/BS	Profil 22	655	639
8636/BS	Profil 22L	595	639
8637/BS	Profil 24	655	689
8638/BS	Profil 24L	595	689
8639/BS	Profil 26	655	739
8640/BS	Profil 26L	595	739
8626/BS	Profil 28	655	789
Arts Frame			
8700	Arts 16	595	481
Contemporary Frames			
8730	Rectangular 16	637	850
8732	Rectangular 22	700	1280
8736	Rectangular 26	720	1380
8733	Square 22	700	765
8737	Square 26	800	865

OPTIONAL LOG RETAINERS

With the Riva Open Contemporary, you have a choice of log retainer styles.



3 bar log retainer (wood only)



4 bar log retainer (multi-fuel only)



Solid log retainer (wood & multi-fuel)

SPARKGUARDS



Clip-in sparkguards. For security and peace of mind when the Riva Open is left unattended, these guards will help to prevent sparks from entering the room.

Please note: the above image shows a Riva Traditional Sparkguard.

FURTHER | INFORMATION

Extended Warranty and Safety Details



When you choose a Stovax cassette or stove, quality and technology are assured. Accordingly, your Stovax Expert Retailer will provide you with a Two Year Warranty for your new cassette or stove. This can then be extended to a Five Year warranty, provided it is registered with Stovax within one month of the later of the purchase date or installation date. Accordingly, the start date for the warranty period is the date of purchase. During the registration process the Expert Retailer details will be required for your Extended Warranty to be activated. Please note, these warranties exclude certain consumable parts. Fires and stoves purchased outside of Stovax's Expert Retailer Network will carry a standard 12 month non-extendable warranty. Full warranty terms & conditions are available to view at www.stovax.com

Stovax pursue a policy of continuous product improvement, therefore, whilst our products are correct at the time of the photography, we reserve the right to make alterations and amendments. Exact product details should be discussed with your retailer at the time of purchase.

Please note that all parts of these fires and stoves, particularly the glass panel in the door, become extremely hot during operation and can result in serious injury and burns if touched. It is therefore recommended that a fireguard complying with BS 8423:2002 is used in the presence of young children, the elderly or infirm.



Riva 50 with standard 4 sided frame in Metallic Black with removable handle in situ.

Professional XQ™ Chimney Systems and Enamelled Flue Pipe

Stovax also offers a comprehensive range of stove and fireplace chimney systems: the Stovax Professional XQ™ collection. Crafted from 304L grade stainless steel for a durable outer finish, the fully sealed components offer water tight protection for the insulation within.



With innovative decorative options, the ability to specify a colour for your system and with a host of technical advancements such as their Twist-Lock system, the Professional XQ™ range provides an attractive, versatile and reliable solution for your flue system. Furthermore, the Professional XQ™ range carries a 10 year conditional warranty offering complete peace of mind. For further information or to request a brochure, simply contact your local retailer or visit www.stovax.com/chimneysystems.



ENAMELLED FLUE PIPE PRODUCT CODES

Description	128mm (5") Diameter	153mm (6") Diameter
Matt Black Flue Pipe		
1' (305mm) straight without door	4500	4600
1' (305mm) straight with door	4504	4604
2' (610mm) straight without door	4501	4601
2' (610mm) straight with door	4505	4605
3' (915mm) straight without door	4502	4602
3' (915mm) straight with door	4506	4606
1'3" - 2'1" (380 - 635mm) telescopic without door	4542	4642
3'4" - 4'6" (1015 - 1370mm) telescopic without door	4540	4640
90° tee piece with end cap (for rear exit)	4516	4616
Gloss Black Flue Pipe		
1' (305mm) straight without door	4500GB	4600GB
2' (610mm) straight without door	4501GB	4601GB
3' (915mm) straight without door	4502GB	4602GB
90° tee piece with end cap (for rear exit)	4516GB	4616GB



Photography and Installation

Owing to variations in studio lighting and printing inks, the finishes/colours of fires illustrated in this brochure may differ slightly from actual models. Before purchasing, please ask your retailer to show you finish/colour samples.

All of the flame pictures shown in this brochure are taken from real fires. Please note however that flame pictures will vary depending on the exact fuel used, flue conditions and surrounding geographical features. Given that building regulations are subject to constant change, some of the photography in this brochure may not comply with the requirements of the latest Building Regulations and you should always check your proposed installation arrangement with your HETAS trained installer before proceeding.

When designing your own installation, please also observe the minimum distance to combustible materials as stated in the installation instructions when designing your own installation.

The 'Nominal' heat output is to be used for calculating the ventilation provision as required by ADJ Building Regulations and for calculating its suitability for heating the size of room it will be fitted into. The heat output 'Range' is to be used as a guide only as the maximum and minimum performance will depend on local conditions such as flue pull, fuel quality and the way in which the product is used.



*Riva 55 with standard 3 sided frame in Metallic Black
with removable handle in situ. Also shown with Malmö mantel from Stovax*

STOVAX | STOVE & FIREPLACE ACCESSORIES

Care of your Stove or Fire



To help you get the best performance from your stove or fireplace and keep it in good condition, inside and out, Stovax offers a wide range of cleaning and maintenance products. Stovax also supplies a wide variety of fireplace accessories including fire screens and tool sets. Your local retailer will be able to give you full details or you may view the complete range at www.stovax.com.



Fireplace, Stove and Hearth Accessories

Included in the brochure is an outstanding selection of fireplace and stove tools. Expertly crafted with a variety of styling options and available in wrought iron, black, brass and chrome finishes, this exquisite range of accessories comprises individual tools alongside complete companion sets. There are also a number of classically designed pails, scuttles and holders for your coals, logs and kindling – functional and stylish accompaniments to your stove or fireplace.



Contemporary Fire Tools and Log Holders

For more modern interiors, Stovax has developed a range of contemporary fire tools and log holders. That are both sturdy and attractive. These minimalist accessories offer a superb pairing to Stovax's Riva range of fires and stoves. See pages 19 and 55 for contemporary tools and log holders in situ.





*Riva 66 with wide 4 sided frame in Metallic Black with removable handle in situ.
Shown with Contemporary Highline Log Store from Stovax.*

ELISE | CASSETTE FIRES & STOVES



The Stovax Elise range presents an additional selection of high efficiency contemporary styled woodburning and multi-fuel cassette fires and stoves at the pinnacle of innovation.

Elise stoves and fires feature state of the art airflow and combustion systems that produce magnificent flame visuals whilst lowering emissions to an absolute minimum. Their progressive design makes them not only some of today's cleanest burning fires but also compliant with tomorrow's Ecodesign standards for 2022.

Further information about this exciting range can be found in a separate dedicated brochure which can be requested from your local retailer or viewed online at www.stovax.com.





*Elise 850 woodburning with Burnt Sienna Fireplace Tile Surround.
Also shown: Small Curved Log Holder available from Stovax.*

STUDIO | CASSETTES & FREESTANDING FIRES



Studio 2 Freestanding on Riva 120 Low Bench and Gloss Black Flue Pipe.



Studio 500 Edge+. Shown with Bevelled Stand & Three Piece Toolset available from Stovax

In addition to the exciting products shown throughout this brochure, Stovax also offer another range of larger format, woodburning cassettes and freestanding fires that are truly distinctive in appearance and ideal for most modern interiors.

The Studio range offers all the appeal of a traditionally fuelled fire, but with sleek contemporary designs and exemplary technological features. Available with a wide choice of sizes and complementary frame and styling options, the versatile Studio can make a real style statement and allow you to find the perfect woodburning fire for your home.

Further information about this exciting range can be found in a separate, dedicated brochure which can be requested from your local retailer or viewed online at www.stovax.com.







Riva 50 with handle removed and standard 3 sided frame, both in Metallic Black

STOVAX
Fire Your Imagination

Stovax Limited, Falcon Road, Sowton Industrial Estate, Exeter, Devon, England EX2 7LF

Trade Sales	Tel: 01392 474000	Fax: 01392 219932
Export Sales	Tel: +44 1392 261990	Email: info@stovax.com
Other depts	Tel: 01392 474011	www.stovax.com

A member of the Stovax Group

Stovax gratefully acknowledges the assistance of the following companies with photographic settings:

Furnishings & Ornaments: www.furniturevillage.co.uk, www.debenhams.com, www.habitat.com, www.houseoffraser.co.uk, www.eclectique.co.uk, www.johnlewis.com, www.next.co.uk, www.faginsantiques.com, www.lauraashley.com, www.theorangerie.co.uk, www.romo.com
Paintings: www.easyart.com, www.tritongalleries.com **Stone Mantels:** www.farmington.co.uk **Tiles & Stone Floors:** www.originalstyle.com
Flooring: www.beachbros.co.uk, www.carpetright.co.uk **Lighting:** www.amoslighting.co.uk

To view and download our complete range of brochures, simply scan this code or visit www.stovax.com



Your Stovax stockist:

£2.00

RIVA

