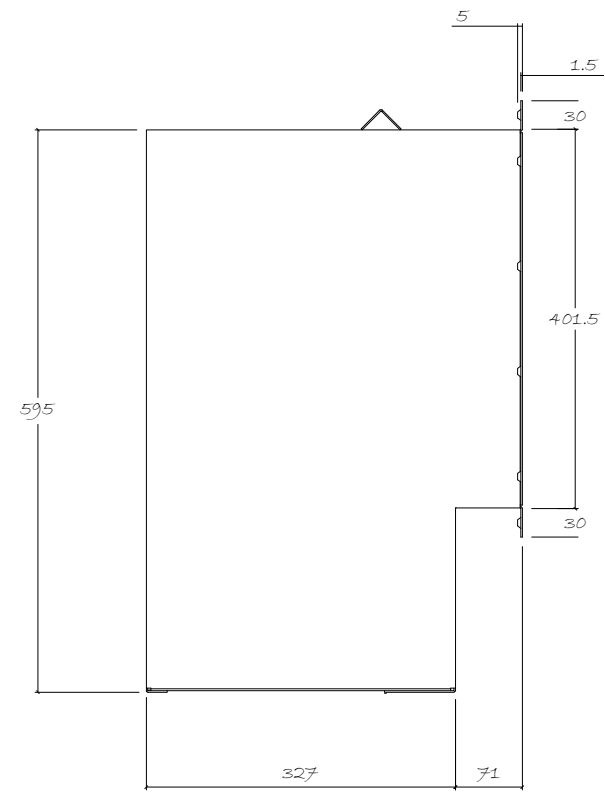
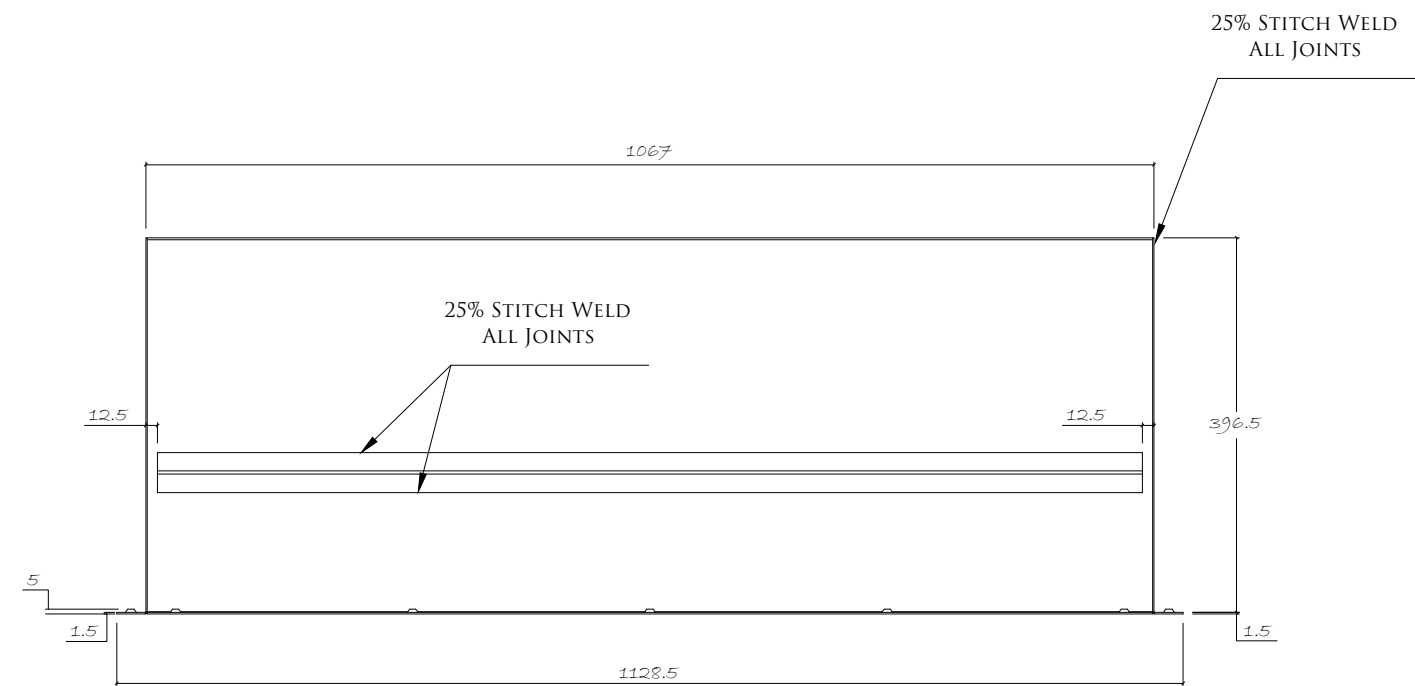


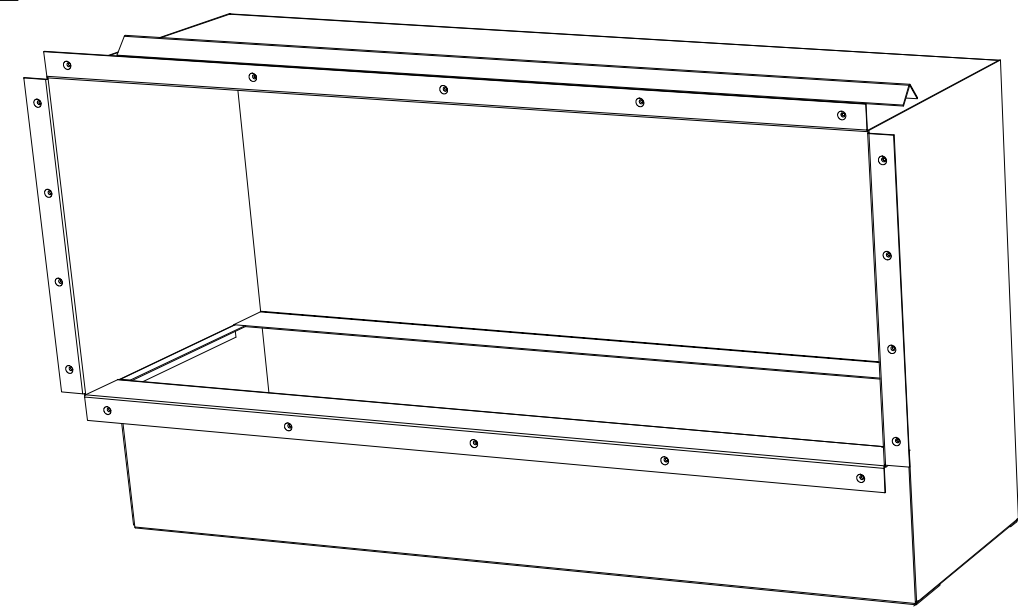
FRONT ELEVATION



PLAN



PLAN



PERSPECTIVE VIEW

FIREPLACE:

METAL BIO BOX

CDM Regulations - Design Risk Assessment

The size and shape of individual stones for this project have been designed to satisfy the overall design requirements for the building, bill of quantities or specific project specification.

All persons handling and installing such stones should be aware that there are risks associated with this type of work, which cannot be designed out.

Limestones & Marble are a natural material and may vary in texture, color and veining intensity.

Please consider a dimensional tolerance of \pm

© CHESNEYS 2021

CHESNEYS

HEAD OFFICE:
194-202 BATTERSEA PARK ROAD, BATTERSEA, LONDON
TELEPHONE: +44 (0) 20 7627 1410

WEB SITE: WWW.CHESNEYS.CO.UK
E MAIL: SALES@CHESNEYS.CO.UK

NAME:
**METAL BIO BOX
FOR ALCHEMY
(LB 1000)**

MATERIAL:
**MILD
STEEL**

COLOUR:
**RAL
(TBC)**

FINISH:
**POWDER COATS FINISH
'TBC'**

SPECIAL NOTES:
**ASSEMBLED
PIECES
DETAILS**

WEIGHT:
26.24 KG

DRAWN BY:
LUIS VELA

DATE: 06/04/2021 SCALE: 1:8 @ A3

INVOICE NUMBER:

DRAWING NO.: 01653 LV REV: R5