



Homebuilding  
& Renovating  
**AWARDS**  
— 2021 —

**WINNER**  
Heating & Plumbing  
Supplier of the Year

★★★★★

# free your imagination

Undulating flame visuals, dancing impossibly amongst a deep bed of realistic logs or shining crystals, make the eReflex one of the most captivating electric fires ever created.

But the eReflex doesn't just deliver mesmerising effects and a fireside glow. Designed with the very latest LED technologies and offering a choice of stunning fuel beds, this innovative electric fire range lets you choose the perfect ambience to suit your mood - with only your imagination to hold you back.











# choosing your eReflex...

## eReflex inset hole in the wall fires

Pages 12-27



eReflex Inset fires are offered in six sizes and are designed to be built into the wall for a minimalist installation that integrates seamlessly with your interior.

## eReflex outset multi-sided fires

Pages 28-37



eReflex Outset fires allow you to create a bespoke two sided or three sided installation, for a unique focal point that provides a panoramic view of the stunning visuals.

## trento suite for 70W & 110W outset fires

Pages 38-41



The stylish Trento Suite is available for 70W and 110W sizes of the Outset eReflex, offering an easily installable, hang on the wall fire that can be selected in a number of two or three sided configurations.

## key features



Chromalight  
Immersive LED  
System



Multiple  
Flame Effects



Programmable  
Thermostatic Eco  
Remote Control



13 Fuel Bed  
Lighting Colours



Customisable  
Fuel Bed





# inspiring flames and fuel effects

Conjuring dramatic flame effects, sparkling embers and an enchanting ambience, the eReflex's ground breaking lighting systems effortlessly create the magic of a real fire... and much more.



# immersive lighting system

eReflex fires use Gazco's Chromalight triple lighting system to create a mesmerising display with almost endless possibilities.

Vivid flame effects are projected to appear amongst the fuel bed for a deep, three-dimensional display and can be set to natural amber, striking blue or even a combination of the two.

Each flame colour is enhanced with down-lighting, bathing the fuel bed in your choice of warming amber or cool white, for a truly immersive display.

Powerful Chromalight up-lighting illuminates the fuel effects from below, providing relaxing, mood-enhancing ambience whether set to amber, for an authentic

glowing ember bed, or one of many other atmospheric colour choices. Fuel bed lighting can also transition through each vivid colour for a gradually changing spectrum, providing the ultimate wow factor.



- 1 Choice of three flame effects
- 2 Immersive down lighting
- 3 A selection of 13 vivid fuel bed lighting colours



# customisable fuel bed

Every eReflex fire comes with a varied selection of fuel effects that transform the fire's look and feel. The highly realistic log selection (pictured left) offers a traditional wood fire aesthetic, and when positioned on the bed of clear and grey pebbles looks just like a real fire.

Alternatively, the Crystal-Ice effect fuel bed (pictured right) creates an ultra-contemporary



look, particularly when paired with the blue flame setting and the many vibrant Chromalight up-lighting colour options.

Whichever fuel bed you choose, the fire's easily removable glass front lets you quickly mix and match the assortment of effects, for your own bespoke display.



# finalist for best heating product

Shortlisted for the esteemed BuildIt Award's Best Heating Product, the eReflex has wowed judges with its contemporary aesthetics and breath-taking visuals.



# creative control

The eReflex's programmable thermostatic eco handset gives you full control over the fire's host of features. Flames, fuel bed lighting and heating can all be controlled independently to create the desired atmosphere, with or without heat.

Innovative energy saving features let you 'set and forget' your eReflex to turn heating on or off, as well as intelligently manage the heat output to minimise energy use, so you can completely immerse yourself in the visual effects.





## flame options

Select Amber, Blue or Amber & Blue flames to suit your mood, with five brightness settings for each colour to give you the perfect ambience.

## chromalight fuel bed lighting

Choose from 13 different vibrant colours to illuminate the eReflex's striking fuel bed, which can be fine-tuned with five brightness levels.



Alternatively, you can opt for a gradually changing spectrum as the fuel bed lighting cycles through each colour.

## thermostatic ambient heating

Select the optimum room temperature you desire and your eReflex does the rest for you. Choose between 15°C and 25°C degrees, and depending on the temperature the eReflex will reach the desired level as efficiently as possible.

## comfort temperature

Comfort Temperature lets you set the thermostat as you would your central heating, with Eco and Comfort settings, which offer further freedom to adjust the temperature by +/- 4°C if desired.



## heating advance mode

You can manually advance any pre-set heating cycle to either come on or turn off before the programmed time without disrupting daily or weekly scheduling.

## adaptive start control

Adaptive Start allows the eReflex to turn on up to 45 minutes in advance of a pre-set time to reach your desired temperature when you want.

## daily and weekly heating

Set the eReflex to turn on to provide heat at certain times of the day, or even days of the week, using the handset's Daily and Weekly Timer control functions.

## open window detection

A sudden drop of temperature of 4°C or more within five minutes, like that caused by an open window, will automatically turn off the eReflex's heat to save energy. Heating can easily be resumed simply by pressing the heat button, or allowing the room's temperature to rise by closing the window.

The eReflex's innovative energy saving features make it compliant with stringent Ecodesign energy product standards.





complete  
peace of mind



**WIN** the cost of your  
product back!

By registering your eReflex online for your free extended warranty. See page 45 for more details.



## the gazco pedigree

When you choose Gazco, quality and technology are assured. From contemporary hang on the wall fires to traditional stoves, Gazco are committed to creating the ultimate in flame effect fires. Our research and development laboratories are amongst the most advanced in the industry, ensuring that the very latest innovations are incorporated into our products.



Gazco is part of the Stovax Group who offer a prestigious product range, which includes everything from the traditional to the ultra-contemporary in a wide array of styles and sizes. Whether your choice is solid fuel, gas, or electric you can be sure to find a stove or fireplace from our range to add the perfect warmth and character to your home. Full details of the Stovax Group's range of products can be found at [www.stovax.com](http://www.stovax.com).

Gazco is an ISO9001 and ISO14001 accredited company. Our rigorous quality control system ensures that all our appliances are safety checked and that they comply with the appropriate regulations, with all fires in this brochure bearing the UKCA and CE marks. Similarly, our environmental management systems ensure we work in a sustainable manner, whilst endeavouring to protect the environment by minimising any possible impact from our operations.



## experience the eReflex

To truly experience the eReflex's realistic flame and enchanting lighting effects, view our short showcase video online. Alternatively, you can visit your local expert retailer to see the eReflex first-hand!



**View the Video**  
at [www.gazco.com/eReflex](http://www.gazco.com/eReflex)



## expert retailer network

We take great care to ensure that our fires are designed, tested and manufactured to the highest possible quality and safety standards. We are just as concerned to make certain that they are sold and installed correctly so that you will enjoy years of pleasure from your purchase.

Accordingly, you will find our products are only available from experienced, independent retailers who will be happy to show you a selection of models locally in their showrooms, often fully operational. These independent retailers will discuss your individual requirements covering both technical issues and design, to ensure that you select the most appropriate product for your home. They will also be able to advise on, or assist with, the installation process as well as help provide any after-sales support and servicing your appliance may require in the future.

Whilst we encourage our retailers to promote fireplace products and their outlets via the internet, we do not believe suitable levels of customer care and satisfaction can be obtained from purchasing the product only online and we would strongly recommend that you consider this when undertaking your research and making a purchasing decision. Furthermore, please be aware that we do not offer technical support (beyond our statutory responsibilities) to products bought via nationwide online sales, where this support would normally be offered by one of our qualified, independent retailers.

In addition, Gazco fires purchased from within our Expert Retailer Network will have the additional benefit of an extended warranty period, subject to terms and conditions. Full details can be found at: [www.gazco.com](http://www.gazco.com).

## warranty information

Your Gazco retailer will provide you with a Two Year Warranty for your new electric fire providing it is registered with Gazco. Please note this warranty excludes certain consumable parts. Fires purchased outside of Gazco's Expert Retailer Network will carry a standard One Year Non-Extendable Warranty. Full warranty details, terms and conditions are available at [www.gazco.com](http://www.gazco.com).



## find and support your local retailer

You can find your nearest retailer by visiting: [www.gazco.com/retailers](http://www.gazco.com/retailers)



# eReflex inset fires

eReflex Inset fires create minimalist, hole-in-the-wall installations for a clean and contemporary aesthetic. Offered in a choice of six sizes and proportions, Inset models are suitable for a broad range of settings from the lounge to the bedroom. Each size features the eReflex's powerful Chromalight Immersive LED technology, assortment of feature fuel effects, and advanced Thermostatic handset.





## dimensions

	Width	Height
55R Inset	600mm	600mm
75R Inset	800mm	800mm
85R Inset	900mm	380mm
105R Inset	1100mm	380mm
135R Inset	1400mm	380mm
195R Inset	2000mm	380mm

Dimensions given are those overall visible upon installation.  
For more detailed technical information please see pages 42-45.

## key features



Chromalight Immersive LED System



Programmable Thermostatic Eco Remote Control



Multiple Flame Effects



13 Fuel Bed Lighting Colours



Customisable Fuel Bed



85R Inset



55R Inset



105R inset



75R Inset



135R Inset



195R Inset



additional size available  
New Generation eReflex 150RW size  
also available. **See pages 46-49 for  
further details.**

# eReflex inset

# 55R

- Chromalight Immersive LED system
- Three different flame options: Amber, Blue, Amber with Blue Accent
- Flames and fuel effect lighting can be enjoyed without the heat
- 13 Different fuel bed lighting colours
- Choice of fuel effects that can be mixed and matched including Logs, grey & clear Pebbles and large & small Crystal-Ice
- Programmable thermostatic eco remote control for ambient heating
- Compatible with Gazco Stone Mantels (see page 18)



eReflex 55R Inset with Log & Pebble fuel effects

**Dimensions\***  
600 x 600mm (WxH)



 **View the Video**  
at [www.gazco.com/eReflex](http://www.gazco.com/eReflex)

\* Dimensions given are those overall visible upon installation. For detailed technical information see pages 42 - 45.

See page 42 for additional image









THE HISTORY OF  
THE GREAT BRITAIN  
THE HISTORY OF  
THE GREAT BRITAIN  
THE HISTORY OF  
THE GREAT BRITAIN





## eReflex inset

# 75R

- Chromalight Immersive LED system
- Three different flame options: Amber, Blue, Amber with Blue Accent
- Flames and fuel effect lighting can be enjoyed without the heat
- 13 Different fuel bed lighting colours
- Choice of fuel effects that can be mixed and matched including Logs, grey & clear Pebbles and large & small Crystal-Ice
- Programmable thermostatic eco remote control for ambient heating
- Compatible with Gazco Stone Mantels (see page 18)



eReflex 75R Inset with Log & Pebble fuel effects

Dimensions\*  
800 x 800mm (WxH)



 **View the Video**  
at [www.gazco.com/eReflex](http://www.gazco.com/eReflex)

\* Dimensions given are those overall visible upon installation. For detailed technical information see pages 42 - 45.

# stone mantels

for eReflex 55R & 75R inset fires



Victorian Corbel



Cavendish Bolection



Georgian Roundel



Claremont



Grafton



Sandringham

Both the eReflex 55R and 75R can be combined with Gazco's beautiful stone mantels and optional hearths for a magnificent, traditional fireplace aesthetic. Choose from any one of the six period-influenced designs in either Antique White Marble or Limestone, each with matching slip set, to create a stunning centrepiece in your home.

For more information on Gazco's stone mantels and hearths please see page 43.

Mantel Styles	Dimensions* w x h (mm)
Claremont	1555 x 1143
Cavendish Bolection	1460 x 1320
Georgian Roundel	1460 x 1082
Grafton	1415 x 1165
Sandringham	1550 x 1220
Victorian Corbel	1525 x 1170



Limestone



Antique White Marble

\* Dimensions given are those overall visible upon installation. For detailed technical information see page 43.

All the above images are shown with an eReflex 75R inset fire and matching hearth. See page 42 for eReflex 55R in mantel.







## eReflex inset

# 85R

- Chromalight Immersive LED system
- Three different flame options: Amber, Blue, Amber with Blue Accent
- Flames and fuel effect lighting can be enjoyed without the heat
- 13 Different fuel bed lighting colours
- Choice of fuel effects that can be mixed and matched including Logs, grey & clear Pebbles and large & small Crystal-Ice
- Programmable thermostatic eco remote control for ambient heating



eReflex 85R Inset with Log & Pebble fuel effects

**Dimensions\***  
900 x 380mm (WxH)



 **View the Video**  
at [www.gazco.com/eReflex](http://www.gazco.com/eReflex)

\* Dimensions given are those overall visible upon installation. For detailed technical information see pages 42 - 45.



eReflex inset

# 105R

- Chromalight Immersive LED system
- Three different flame options: Amber, Blue, Amber with Blue Accent
- Flames and fuel effect lighting can be enjoyed without the heat
- 13 Different fuel bed lighting colours
- Choice of fuel effects that can be mixed and matched including Logs, grey & clear Pebbles and large & small Crystal-Ice
- Programmable thermostatic eco remote control for ambient heating



eReflex 105R Inset with Log & Pebble fuel effects

#### Dimensions

1100 x 380mm (WxH)



**View the Video**

at [www.gazco.com/eReflex](http://www.gazco.com/eReflex)

\* Dimensions given are those overall visible upon installation. For detailed technical information see pages 42 - 45.

See page 12 for additional image













## eReflex inset

# 135R

- Chromalight Immersive LED system
- Three different flame options: Amber, Blue, Amber with Blue Accent
- Flames and fuel effect lighting can be enjoyed without the heat
- 13 Different fuel bed lighting colours
- Choice of fuel effects that can be mixed and matched including Logs, grey & clear Pebbles and large & small Crystal-Ice
- Programmable thermostatic eco remote control for ambient heating



eReflex 135R Inset with Crystal Ice-effect

### Dimensions

1400 x 380mm (WxH)



**View the Video**

at [www.gazco.com/eReflex](http://www.gazco.com/eReflex)

\* Dimensions given are those overall visible upon installation. For detailed technical information see pages 42 - 45.

eReflex inset

# 195R

- Chromalight Immersive LED system
- Three different flame options: Amber, Blue, Amber with Blue Accent
- Flames and fuel effect lighting can be enjoyed without the heat
- 13 Different fuel bed lighting colours
- Choice of fuel effects that can be mixed and matched including Logs, grey & clear Pebbles and large & small Crystal-Ice
- Programmable thermostatic eco remote control for ambient heating



**Dimensions**

2000 x 380mm (WxH)



**View the Video**

at [www.gazco.com/eReflex](http://www.gazco.com/eReflex)

\* Dimensions given are those overall visible upon installation. For detailed technical information see pages 42 - 45.





# eReflex multi-sided outset fires







## two and three sided installation options in one fire!

Designed to offer a multi-sided view of the mesmerising flames and lighting effects, eReflex Outset models can be installed as three-sided or two-sided fires. Thanks to their versatile design, eReflex Outsets are perfect for a bespoke focal point installation to suit your interior, and can be finished in various materials, from wood surrounds to tiles, for the perfect centrepiece.



Chromalight Immersive LED System



13 Fuel Bed Lighting Colours



Multiple Flame Effects



Customisable Fuel Bed



Thermostatic Remote Control



eReflex 70W Outset with Log & Pebble fuel effects

## dimensions



55W Outset

550 x 560 x 268mm (w x h x d)



75W Outset

750 x 752 x 268mm (w x h x d)



70W Outset

700 x 352 x 238mm (w x h x d)



110W Outset

1100 x 352 x 238mm (w x h x d)

Dimensions given are those overall visible upon installation. For more detailed technical information please see pages 42-45





## eReflex outset

# 55W

- Can be installed as a two sided or three sided fire
- Chromalight Immersive LED system
- Three different flame options: Amber, Blue, Amber with Blue Accent
- Flames and fuel effect lighting can be enjoyed without the heat
- 13 Different fuel bed lighting colours
- Choice of fuel effects that can be mixed and matched including Logs, grey & clear Pebbles and large & small Crystal-Ice
- Programmable thermostatic eco remote control for ambient heating
- Optional base trim\*\*



eReflex 55W Outset with Crystal-Ice fuel effect

### Dimensions\*

550 x 560 x 268mm (WxHxD)



**View the Video**

at [www.gazco.com/eReflex](http://www.gazco.com/eReflex)

\* Dimensions given are those overall visible upon installation. For detailed technical information see pages 42 - 45.

\*\* See page 44 for options available

# eReflex outset

# 75W

- Can be installed as a two sided or three sided fire
- Chromalight Immersive LED system
- Three different flame options: Amber, Blue, Amber with Blue Accent
- Flames and fuel effect lighting can be enjoyed without the heat
- 13 Different fuel bed lighting colours
- Choice of fuel effects that can be mixed and matched including Logs, grey & clear Pebbles and large & small Crystal-Ice
- Programmable thermostatic eco remote control for ambient heating
- Optional base trim\*\*



eReflex 75W Outset with Log & Pebble fuel effects

## Dimensions

750 x 752 x 268mm (WxHxD)



**View the Video**

at [www.gazco.com/eReflex](http://www.gazco.com/eReflex)

\* Dimensions given are those overall visible upon installation. For detailed technical information see pages 42 - 45.

\*\*See page 44 for options available.











# eReflex outset

# 70W

- Can be installed as a two sided or three sided fire
- Chromalight Immersive LED system
- Three different flame options: Amber, Blue, Amber with Blue Accent
- Flames and fuel effect lighting can be enjoyed without the heat
- 13 Different fuel bed lighting colours
- Choice of fuel effects that can be mixed and matched including Logs, grey & clear Pebbles and large & small Crystal-Ice
- Programmable thermostatic eco remote control for ambient heating
- Optional base trim\*\*
- Optional Trento Suite also available (see page 38)



eReflex 70W Outset with Log & Pebble fuel effects

## Dimensions

700 x 352 x 238mm (WxHxD)



**View the Video**

at [www.gazco.com/eReflex](http://www.gazco.com/eReflex)

\* Dimensions given are those overall visible upon installation. For detailed technical information see pages 42 - 45.

\*\* See page 44 for options available.

See page 29 for additional image

# eReflex outset

# 110W

- Can be installed as a two sided or three sided fire
- Chromalight Immersive LED system
- Three different flame options: Amber, Blue, Amber with Blue Accent
- Flames and fuel effect lighting can be enjoyed without the heat
- 13 Different fuel bed lighting colours
- Choice of fuel effects that can be mixed and matched including Logs, grey & clear Pebbles and large & small Crystal-Ice
- Programmable thermostatic eco remote control for ambient heating
- Optional base trim\*\*
- Optional Trento Suite also available (see page 38)



eReflex 110W Outset with Log & Pebble fuel effects

## Dimensions

1100 x 352 x 238mm (WxHxD)



**View the Video**

at [www.gazco.com/eReflex](http://www.gazco.com/eReflex)

\* Dimensions given are those overall visible upon installation. For detailed technical information see pages 42 - 45.

\*\* See page 44 for options available

See pages 3, 4 & 28 for additional images







# trento suites

## for eReflex 70W & 110W outset fires

Creating a designer eReflex installation can be as easy as simply hanging your fire on the wall with the range of Trento Suites. Each Trento Suite features clean and stylish floating shelves for a statement finish that completely houses your fire.

Available for both the Outset 70W and 110W fires, the Trento is offered in various configurations (shown overleaf) to suit your interior, allowing you to install your eReflex Outset as either a centrally positioned three-sided fire or asymmetrically positioned two-sided corner fire.







# trento suites

as simple to install as  
they are stylish



eReflex 70W Outset with Log & Pebble fuel effects and  
Trento Right Offset Suite with Decorative column



Both 70W and 110W eReflex Outset fires can be installed as three-sided fires or two-sided corner fires. For two-sided corner installations, the Trento Left Offset and Trento Right Offset Corner Suites can be positioned with the flush end into the corner of the room, as shown on page 40.

For perfect symmetry, the Trento Centred option offers a balanced style that positions the fire in the middle of the Suite (page 38). Alternatively, the Left and Right Offset Corner Suites can be combined with a Decorative End Cap to allow a strikingly asymmetric installation anywhere in the room (page 10). Depending on your choice of installation, contrasting black Decorative Columns can be added to complete your eReflex Trento and heighten the aesthetic.

## trento configuration options



### Trento Centred Suite

- 1 Trento Centred Suite for three-sided central fire
- 2 Trento Centred Suite with Decorative Columns for three-sided central fire



### Trento Right Corner Suite

- 3 Trento Right Offset Suite for two-sided right corner
- 4 Trento Right Offset Suite with Decorative Column for two-sided right corner



### Trento Left Corner Suite

- 5 Trento Left Offset Suite for two-sided left corner
- 6 Trento Left Offset Suite with Decorative Column for two-sided left corner



### Trento Offset Suites

- 7 Trento Right Offset Suite with Decorative Column and End Cap for two-sided off-centre
- 8 Trento Left Offset Suite with Decorative Column and End Cap for two-sided off-centre



# technical information

The following pages provide the dimensional, heat output, efficiency and product code information you will need to choose your eReflex fire. For more detailed specifications, please consult your local Gazco retailer. Complete installation instructions may be downloaded from [www.gazco.com](http://www.gazco.com).



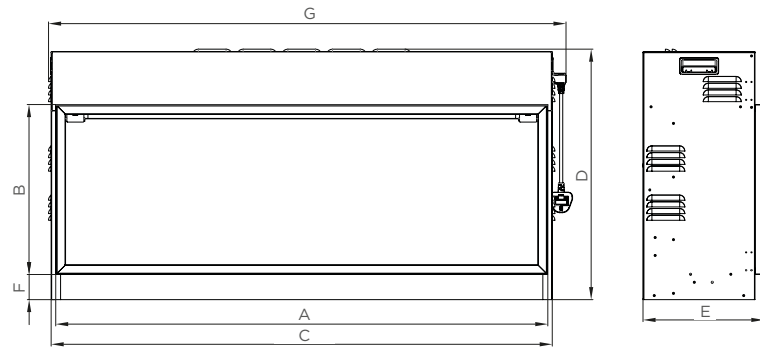


## eReflex inset fires

Description	Product Code	Flame Viewing Area (w x h)	Heat Output
eReflex 55R Inset Electric Fire	<b>210-063</b>	550 x 550mm	1.00-2.00kW
eReflex 75R Inset Electric Fire	<b>210-071</b>	750 x 750mm	1.00-2.00kW
eReflex 85R Inset Electric Fire	<b>210-009</b>	850 x 330mm	1.00-2.00kW
eReflex 105R Inset Electric Fire	<b>210-017</b>	1050 x 330mm	1.00-2.00kW
eReflex 135R Inset Electric Fire	<b>210-023</b>	1350 x 330mm	1.00-2.00kW
eReflex 195R Inset Electric Fire	<b>210-031</b>	1950 x 330mm	1.00-2.00kW

### eReflex inset dimensions

All dimensions in mm



	A	B	C	D	E	F	G
eReflex 55R Inset Electric Fire	600	600	620	780	300	57	657
eReflex 75R Inset Electric Fire	800	800	820	980	300	57	857
eReflex 85R Inset Electric Fire	900	380	920	560	270	57	957
eReflex 105R Inset Electric Fire	1100	380	1120	560	270	57	1157
eReflex 135R Inset Electric Fire	1400	380	1420	560	270	57	1457
eReflex 195R Inset Electric Fire	2000	380	2020	560	270	57	2057

The above information is to assist in your choice of a suitable Gazco Electric fire. It is not intended to be all the information required to install your fire. This can be obtained from your local Gazco retailer or you can download the full installation instructions from the Gazco website at [www.gazco.com](http://www.gazco.com)

## eReflex stone mantels 55R & 75R

All dimensions in mm

Description	Frame Finish	Product Code	Width	Height	Depth
Claremont (requires slip set)	Antique White Marble	<b>9002CLWM</b>	1555	1143	190
Claremont (requires slip set)	Limestone	<b>9002CLTL</b>	1555	1143	190
Cavendish Bolection (requires slip set)	Antique White Marble	<b>9000CAWM</b>	1460	1320	207
Cavendish Bolection (requires slip set)	Limestone	<b>9000CATL</b>	1460	1320	207
Georgian Roundel (requires slip set)	Antique White Marble	<b>9001GEWM</b>	1460	1082	200
Georgian Roundel (requires slip set)	Limestone	<b>9001GETL</b>	1460	1082	200
Grafton (requires slip set)	Antique White Marble	<b>9003GRWM</b>	1415	1165	105
Grafton (requires slip set)	Limestone	<b>9003GRTL</b>	1415	1165	105
Victorian Corbel (requires slip set)	Antique White Marble	<b>9004VIWM</b>	1525	1170	250
Victorian Corbel (requires slip set)	Limestone	<b>9004VITL</b>	1525	1170	250
Sandringham (requires slip set)	Antique White Marble	<b>9005SAWM</b>	1550	1220	227
Sandringham (requires slip set)	Limestone	<b>9005SATL</b>	1550	1220	227

### eReflex slip sets information

Slip sets are required to install the eReflex inset 55R and 75R fire with any of Gazco's six stone mantels.

Slip set for eReflex 55R Stone Mantel	Antique White Marble	<b>910-264</b>	-	-	-
Slip set for eReflex 55R Stone Mantel	Limestone	<b>910-258</b>	-	-	-
Slip set for eReflex 75R Stone Mantel	Antique White Marble	<b>910-247</b>	-	-	-
Slip set for eReflex 75R Stone Mantel	Limestone	<b>910-235</b>	-	-	-

### eReflex hearth information

Small Hearth for Stone Mantel	Antique White Marble	<b>934-241</b>	1524	53	228
Small Hearth for Stone Mantel	Limestone	<b>934-193</b>	1524	53	228
Large Hearth for Stone Mantel	Antique White Marble	<b>934-489</b>	1625	53	457
Large Hearth for Stone Mantel	Limestone	<b>934-351</b>	1625	53	457



Gazco's selection of beautiful stone hearths include either small or large sizes in both Antique White Marble and Limestone options. The large size is styled with a stepped edge design whilst the small has a flush finish.

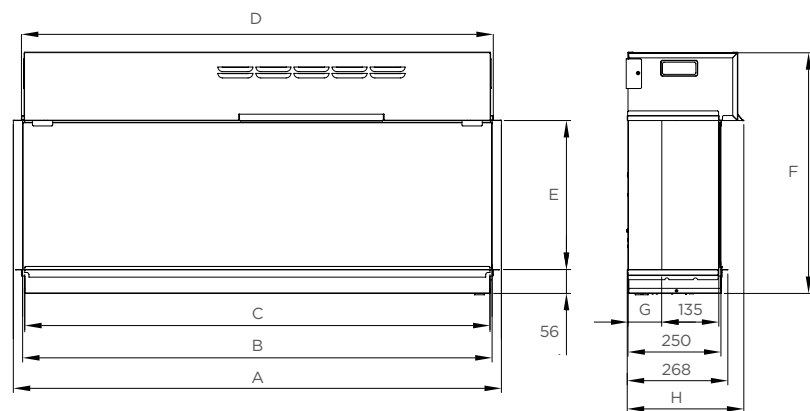
# technical information

## eReflex outset fires

Description	Product Code	Flame Viewing Area (w x h)	Heat Output
eReflex 55W Outset Electric Fire	<b>210-088</b>	550 x 560mm	1.00-2.00kW
eReflex 75W Outset Electric Fire	<b>210-094</b>	750 x 752mm	1.00-2.00kW
eReflex 70W Outset Electric Fire	<b>210-040</b>	700 x 352mm	1.00-2.00kW
eReflex 110W Outset Electric Fire	<b>210-056</b>	1100 x 352mm	1.00-2.00kW

## eReflex outset dimensions

All dimensions in mm



	A	B	C	D	E	F	G	H
eReflex 55W Outset Electric Fire	604	560	550	566	560	769	110	306
eReflex 75W Outset Electric Fire	804	760	750	766	752	969	110	306
eReflex 70W Outset Electric Fire	754	710	700	716	352	569	80	276
eReflex 110W Outset Electric Fire	1154	1110	1100	1116	352	569	80	276



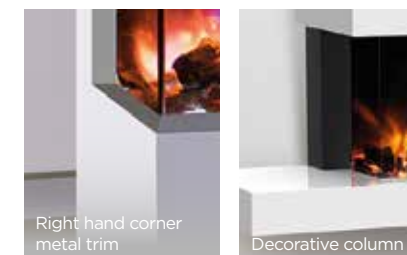
## outset base trim options

	Product Code
55W left hand corner metal trim	<b>910-271*</b>
55W right hand corner metal trim	<b>910-282*</b>
55W centre metal trim	<b>910-293*</b>
75W left hand corner metal trim	<b>910-304*</b>
75W right hand corner metal trim	<b>910-315*</b>
70W centre metal trim	<b>910-113</b>
110W left hand corner metal trim	<b>910-124*</b>
110W right hand corner metal trim	<b>910-135*</b>
110W centre metal trim	<b>910-146</b>

\*Whilst stocks last

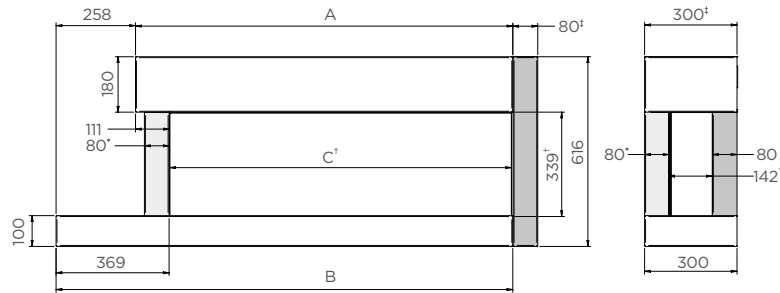
## eReflex 70W & 110W outset options

	Product Code
Decorative Column - Black	<b>910-216</b>
End Cap - Black	<b>910-227</b>





## trento offset suite



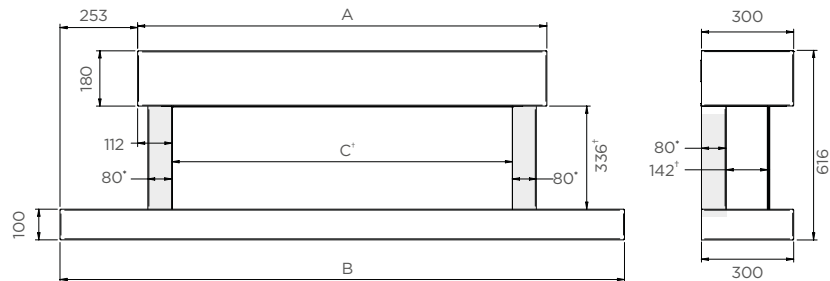
\*Decorative Column / †End Cap / †Flame picture viewing area

	Product Code	A	B	C
70W Trento Left Offset Suite - White	910-157	825	1083	700 <sup>†</sup>
70W Trento Right Offset Suite - White	910-162	825	1083	700 <sup>†</sup>
110W Trento Left Offset Suite - White	910-183	1225	1483	1110 <sup>†</sup>
110W Trento Right Offset Suite - White	910-191	1225	1483	1110 <sup>†</sup>

### trento offset options

Decorative Column - Black	910-216
End Cap - Black	910-227

## trento centre suite



\*Decorative Column / †Flame picture viewing area

	Product Code	A	B	C
70W Trento Centre Suite - White	910-170	934	1440	700 <sup>†</sup>
110W Trento Centre Suite - White	910-203	1334	1840	1110 <sup>†</sup>

### trento central options

Decorative Column - Black	910-216
---------------------------	---------

The above information is to assist in your choice of a suitable Gazco Electric fire. It is not intended to be all the information required to install your fire. This can be obtained from your local Gazco retailer or you can download the full installation instructions from the Gazco website at [www.gazco.com](http://www.gazco.com)

# WIN

## the cost of your product back!



"I'm beyond happy with it"

For further home inspiration you can **view real life installations** at our Customer Showcase page and share your thoughts and photos of your new stove or fire installation to enter our draw!

- We will publish your entry on our Customer Showcase
- You will be entered into a draw for the chance to win the cost of your product back
- **Gain a second entry** by registering your product online for your free extended warranty: [gazco.com/registration](http://gazco.com/registration)



Instagram - the\_monochrome\_stylist

"It's so easy to start up, with a press of a button!"



"I love how sleek it looks"

"Our friends and family comment on how nice it is. It's a real show stopper."



"I knew as soon as I saw it that that was the one for our living room"

View real life installations and submit your review at [gazco.com/customershowcase](http://gazco.com/customershowcase)

\* Terms and conditions apply. See online for details

# eReflex 150RW

In addition to the models found in this brochure, Gazco also offers a new generation eReflex 150RW electric fire, which elegantly puts the artistry of fire right at your fingertips. With an Eco Remote Control, plus compatibility with an innovative app, you can adjust the multiple lighting options and energy-saving features remotely.

This electric fire makes the perfect companion to media walls, whether you opt for a classic single-sided installation, or a multi-sided or corner aesthetic. An optional mood lighting kit lets you enhance your space, with up to 6 metres of LED lighting strips. Plus, enjoy the realistic visuals with, or without, the heat



## Key Features

- Can be easily configured as a three-sided, two-sided, or single-sided fire
- Chromalight® LED System
- Comes with life-like Oak Log effect, or the alternative Crystal Ice effect
- Three flame colour choices including orange, orange with blue accent, and blue
- Downlighting illuminates logs
- Eight fuel bed lighting colours, plus cycling spectrum mode
- Programmable Thermostatic Eco Remote Control
- App control on iOS and Android devices
- Up to 2kW programmable heating
- Ecodesign Energy Saving Features
- Optional Mood Lighting System
- Flames can be enjoyed with or without the heat



eReflex 150RW with Crystal Ice fuel effect, shown as a single-sided installation. Shown with optional Mood Lighting System.



Oak Log effect



eReflex 150RW with Oak Log effect, shown as a three-sided installation. Shown with optional Mood Lighting System.



**View the Video**  
[gazco.com/eReflex150RW](https://gazco.com/eReflex150RW)

# eReflex 150RW App for complete control

Two complimentary control systems put the eReflex 150RW's range of visual and heating capabilities in the palm of your hand. Adjust your desired fireside ambience... and relax. The eReflex 150RW can be controlled with a powerful app, available on an iOS or Android smart device. This app offers the same ability to control your fire remotely, but with the ease of access from your phone or tablet.

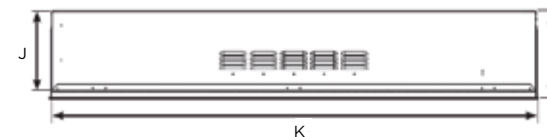
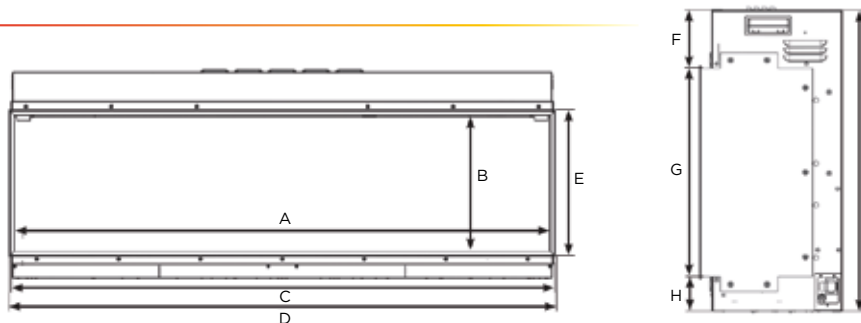


Download the app using the QR code, or search for MusFlame on the App Store. [gazco.com/electricapp](http://gazco.com/electricapp)



Reflex 150RW with Oak Log effect, shown as a three-sided installation. Shown with optional Mood Lighting System.

# eReflex 150RW Dimensions



### Product Codes

210-177	eReflex 150RW
923-835	Mood Lighting Kit

All dimensions are in mm.

	A	B	C	D	E	F	G	H	I	J	K	L
eReflex 150RW	1505	380	1523	1533	408	111	398	67	575	252	1517	272





View the Video  
[gazco.com/eReflex150RW](http://gazco.com/eReflex150RW)



Ask your local retailer for more information or download the eReflex 150RW brochure from [www.gazco.com](http://www.gazco.com)



eReflex 150RW with Oak Log effect, shown as a two-sided installation

# Other electric ranges available from Gazco

Gazco's electric portfolio also includes the eStudio electric fire range, which shares many of the eReflex's technologies in a slightly shallower landscape format.

Alongside the eReflex and eStudio ranges, Gazco offers a number of other electric fires along with a variety of stove ranges. Whether you want to achieve a contemporary or traditional look, Gazco has the perfect solution whatever your style or budget.

Ask your local retailer for more information or download the eStudio and Electric Fires and Stoves brochures from [www.gazco.com](http://www.gazco.com).



Liberty 85 Electric with Log & Pebble fuel effect on Amber flame setting. Shown with 120 High Stove Bench.



Chesterfield 5 Electric with Log & Pebble fuel effect on Amber flame setting









eReflex 110W Outset with Log & Pebble fuel-effects



Gazco Limited, Osprey Road, Sowton Industrial Estate, Exeter, Devon, England EX2 7JG

**Trade Sales:** 01392 261999 / NI: 01392 261990 • Email: [info@gazco.com](mailto:info@gazco.com) / NI: [northernireland@gazco.com](mailto:northernireland@gazco.com)

**Export Sales:** +44 1392 261990 • Email: [exportsales@gazco.com](mailto:exportsales@gazco.com)

[www.gazco.com](http://www.gazco.com)   

Gazco gratefully acknowledges the assistance of the following companies with photographic settings:

[www.furniturevillage.co.uk](http://www.furniturevillage.co.uk); [www.romo.com](http://www.romo.com); [www.debenhams.com](http://www.debenhams.com); [www.eclectique.co.uk](http://www.eclectique.co.uk); [www.theorangetree.co.uk](http://www.theorangetree.co.uk); [www.justshutters.co.uk](http://www.justshutters.co.uk); [www.homebase.co.uk](http://www.homebase.co.uk);  
[www.lauraashley.com](http://www.lauraashley.com); [www.nestinteriors.com](http://www.nestinteriors.com); [www.graceandgloryhome.co.uk](http://www.graceandgloryhome.co.uk); [www.stbridgetnurseryseries.co.uk](http://www.stbridgetnurseryseries.co.uk); [www.johnlewis.com](http://www.johnlewis.com); [www.wayfair.com](http://www.wayfair.com);  
[www.veryvintagehire.co.uk](http://www.veryvintagehire.co.uk); [www.beachbros.co.uk](http://www.beachbros.co.uk); [www.birlea.com](http://www.birlea.com); [www.originalstyle.com](http://www.originalstyle.com); [www.amtico.com](http://www.amtico.com); [www.chunkymonkeyfurniture.co.uk](http://www.chunkymonkeyfurniture.co.uk);  
[www.wallsandfloors.co.uk](http://www.wallsandfloors.co.uk); [www.desenio.co.uk](http://www.desenio.co.uk); [www.ikea.com](http://www.ikea.com); [www.sofarooms.co.uk](http://www.sofarooms.co.uk)

Paper sourced from sustainable forests and printed using vegetable based inks • © All material copyright Gazco Ltd 2021 E & O E • A member of the Stovax group

Gazco pursue a policy of continuous product improvement, therefore, whilst our products are correct at the time of the photography, we reserve the right to make alterations and amendments. Exact product details should be discussed with your retailer at the time of purchase.

find your local retailer

You can find and support your nearest retailer  
by visiting: [www.gazco.com/retailers](http://www.gazco.com/retailers)



Your Gazco retailer:

Ref: GZEREFLEX1121

