



Homebuilding  
& Renovating  
**AWARDS**  
2021

**WINNER**

Heating & Plumbing  
Supplier of the Year



 **STOVAX**

**Classic Fireplaces**

AND SURROUNDS

# Traditional Style

WITH A MODERN TWIST

Whether you are restoring a period house to its former glory, or adding a touch of heritage to a modern home, Stovax's Classic Fireplaces will inspire you.

From the gracefulness of the early 1800s to the exuberance of Art Nouveau, our cast iron fireplaces add warmth and elegance to any room or living space.

Traditional designs can be combined with the modern technology of our Convector fireplaces, for heating twice as efficient as an open fire. And for ultimate convenience, you can even opt for a realistic Gazco gas fire with remote control.



Image right: Victorian Tiled Convector in matt black with 2 x Poppy & Wheatsheaf 5-tile sets. Shown with Victorian Corbel Antique White Marble mantel.





Homebuilding  
& Renovating  
**AWARDS**  
2021

**WINNER**  
Heating & Plumbing  
Supplier of the Year





Art Nouveau Tiled Convecter in matt black with  
2 x Evening Primrose 5-tile sets. Shown with  
Carlton wooden mantel in Light Oak



# Choosing your fuel type

---



## Traditional Solid Fuel

For unmatched authenticity, coals or logs offer the beautiful natural flames our ancestors enjoyed. Each of our faithful fire reproductions can be selected to burn solid fuel, and with logs from sustainable plantations, your classic fireplace becomes a virtually carbon neutral energy source.

## The convenience of gas

All of our fireplaces are available as highly realistic gas fires. Offering a superb combination of flames and glow, they can even be enjoyed without a chimney if a balanced flue option is selected. For classic looks with modern convenience, many of our gas fire options have the option of our Command remote control.



# Cast Iron Craftsmanship

---

Every Stovax classic fireplace is available in the traditional imposing matt black of the original design. In addition, many reproductions are offered with the option of polishing, a skilled and authentic period technique which shows off the intricate decorative detailing of the ironwork to stunning effect. According to the design the finish may be either highlight polished for a striking contrast, emphasising the design's decorative details, or fully polished for a resplendent focal point.



# Contents

---

Styling Choices .....	06 - 07
<b>Fireplaces &amp; Convector</b> .....	<b>08 - 35</b>
Your Fireplace Choices explained ...	10 - 11
<b>London Cast Fronts</b> .....	<b>36 - 41</b>
<b>Cast Iron Mantels</b> .....	<b>42 - 45</b>
<b>Stone Mantels</b> .....	<b>46 - 55</b>
<b>Wooden Mantels</b> .....	<b>56 - 63</b>
<b>Fireplace Tiles</b> .....	<b>64 - 65</b>
Technical Information .....	66 - 71



Knightsbridge Insert, polished with Gazco gas fire.  
Shown with Georgian, fully polished cast iron mantel.



Adelaide in matt black. Shown with Georgian matt black, cast iron mantel.



# Styling Choices

The Stovax Classic Fireplace range is accompanied by a wide and diverse selection of elegant styling options. Encompassing styles from as far back as the Hanoverian reigns, with traditional materials including cast iron, various woods and different stones, each mantel, front or tile-set is made with the same obsessive care and attention to detail we invest in our classic fireplace reproductions.

## Surrounds

Our range of London cast fronts, shown on pages 36 to 41, surround the fire for a uniform, finished look, which complements both our wood and stone mantels. Made with the utmost care to ensure they precisely match the cast iron Georgian originals they recreate, these beautiful surround options are offered in matt black or polished finishes and can be used to create either a traditionally styled or contemporary fireplace.



## Tile Options

Stovax offer a selection of fireplace tiles to choose from for use with its range of tiled fireplaces. These are illustrated on pages 64 to 65. If desired, there is the impressive, hand decorated tube-lined tiles shown on page 65, for a period fireplace that seamlessly recreates the charming styles of the 19th century Arts & Crafts and Art Nouveau movements.

## Stone, Wood & Cast Iron Mantels



Offering the subtle beauty and presence of historical designs, our huge range of stone, wood and cast iron mantels, shown on pages 42 to 63 will add both poise and style in equal measure to your fireplace. Whether you are looking for the timeless grandeur of marble or limestone, the natural beauty of wood or the fine detailing of cast iron, our excellent selection can be paired with our solid-fuel or gas classic fires to realise your dream fireplace.



# Fireplaces & Convector

Stovax have strived for over 40 years to achieve the perfect combination of 19th Century designs and 21st Century technology. These authentically hand-cast fires are meticulously built to replicate the Georgian and Victorian originals, whilst also offering you modern-day, convenient choices such as Convector and gas options. The best of three eras in one.

Your fireplace choices explained .....	10 - 11
Classical Arched inserts.....	12 - 13
Decorative Arched inserts.....	14 - 15
Alexandra inserts .....	16 - 17
Adelaide inserts .....	18 - 19
Kensington & Knightsbridge inserts .....	20 - 21
Victorian tiled fireplaces .....	22 - 23
Art Nouveau tiled fireplaces .....	24 - 25
Cast Iron Back for tiled fireplaces.....	26 - 27
Victorian tiled convectors.....	28 - 29
Art Nouveau tiled convectors.....	30 - 31
Combination convectors.....	32 - 33
Combination tiled inserts .....	34 - 35







# Your Fireplace Choices Explained...

Our range of Classic Fireplaces presents a variety of historically accurate and history inspired options to suit your requirements. Choose from complete cast iron or tiled fireplace inserts, stylish fronts which will transform your existing fire, efficient convector fireplaces, or combination fireplaces.

## Classic Fireplaces



Elegantly crafted to exacting standards, our classic fireplaces include a variety of both period precise reproductions and history inspired, designer styles. These complete fireplaces feature a grate and built-in fireback, which can be inserted into 36" by 36" (915 x 915mm) chimney openings or larger. Designed to burn solid-fuels such as wood or coal, they can also be selected as a gas fire with optional remote control.

---

Classical Arched .....	12
Decorative Arched .....	14
Alexandra .....	16
Adelaide .....	18
Kensington & Knightsbridge .....	20
London Cast Fronts.....	36

## Tiled Fireplaces



Working from original designs, we have developed this versatile range of Victorian and Art Nouveau reproductions to provide either a front or a complete solid fuel or gas insert fireplace as desired.

Tiled and cast fronts became fashionable during the Hanoverian era and were made to either obscure or embellish a larger chimney opening. Our specially designed fronts can be easily installed against a 22" high by 16" wide chimney opening with the existing Milner tapered firebrick found in many homes constructed between the 1920s and 1980s.

Alternatively, each Victorian and Art Nouveau design is available with an optional cast back with grate, for a complete solid fuel fireplace, which can be inserted into the chimney opening. Both fireplaces can also be selected as a gas fire with remote control.




---

Victorian Tiled Fireplace .....	22
Art Nouveau Tiled Fireplace .....	24
Optional Cast Iron Back.....	26





## Tiled Convector Fireplaces



Taking our Victorian and Art Nouveau Inserts and making a series of discreet modifications, we have designed convector fireplaces to provide dramatically increased heating efficiency whilst preserving traditional looks.

Offered in both solid fuel and gas versions, Convector fireplaces draw cool air in through the fire's grate which is then heated in a specially designed convection chamber. Heated air is diffused into the room via a barely noticeable outlet above the hood, making it twice as effective as a conventional open fire. The result is a rare blend of period elegance and modern capability, and not surprisingly some of the most popular models in the Classic Fireplaces range.



Victorian Tiled Convector.....	28
Art Nouveau Tiled Convector.....	30

## Combination Fireplaces



Based on a historic design from as early as 1895, our Combination range features a cast iron fire insert with integrated mantel. Offering the same convenient size and easy installation of the original combination designs, these complete fireplaces are presented as historically accurate inserts or discreetly enhanced convector versions for increased heating capability, both of which are suitable for solid fuel or gas fires.

Combination Convector.....	32
Combination Tiled Inserts.....	34

# Classical Arched Inserts



Originally created around 1880, the Classical Arched insert has become an icon of timeless design that is just as appropriate for 21st Century décor as it was for period homes. The elegant, understated lines can be complemented by either the cleaner look of contemporary mantels or the charming decorative detail of an Adam, Regency or beautiful stone mantel.

A gas fire option is available.

## Finish Options



Matt Black (4386)



Highlight Polished (4386HP)



Fully Polished (4387)

## Cast Relief Baffle



The baffle plate to the rear of the fire features an attractive coat of arms motif. When burning solid fuels, this baffle can be closed when the fire is not in use. However if a gas fire is fitted, regulations require the baffle must be permanently secured in the open position.

For complete model choices, options and product codes please see pages 70 - 71.

For details of complementary mantels please see pages 42 - 63.







# Decorative Arched Inserts



The Decorative Arched Insert pre-dates the Classical model by some 30 years, having been designed around the time of the Great Exhibition in 1851. Accordingly, it incorporates elements of Greek and Roman detailing which were frequently adopted as ornamentation, itself a reflection of Britain's growing sense of grandeur and Empire.

## Finish Options



Matt Black (4389)



Highlight Polished (4389HP)



Fully Polished (4390)

## Cast Relief Baffle



The baffle plate to the rear of the fire features an appealing fan-shape motif within an outer linked chain design. When burning solid fuels, this baffle can be closed when the fire is not in use. However, if a gas fire is fitted, regulations require the baffle must be permanently secured in the open position.

For complete model choices, options and product codes please see pages 70 - 71.

For details of complementary mantels please see pages 42 - 63.







Decorative Arched Insert in matt black. Shown with Georgian Roundel Antique White Marble mantel.



# Alexandra Inserts

With its restrained elegance reminiscent of the late Edwardian era, the Alexandra Insert is a beautiful yet subtle cast iron fireplace. Finished in your choice of Matt Black, Highlight Polished or Fully Polished, the design incorporates authentic hand-cast detailing and a graceful curving arch.



## Finish Options



Matt Black (4440)



Highlight Polished (4440HP)



Fully Polished (4440FP)

## Ashpan Cover



Stovax have designed the Alexandra's ashpan cover to reflect the embellishment incorporated into the fireplace. This cover will hide the ashpan (if used).

For complete model choices, options and product codes please see pages 70 - 71.

For details of complementary mantels please see pages 42 - 63.



# Adelaide Inserts



Named after the queen's consort to William IV, the Adelaide is based on a model that originates from 1837. It is available in traditional matt black or polished finishes and features a particularly large grate which makes it ideal for burning logs.

If you do not wish to burn logs or coal, you can choose to have a gas fire complete with remote control.

## Finish Options



Matt Black (4248)



Highlight Polished (4250)

## Ashpan Cover



Stovax have designed an Ashpan cover to reflect the embellishment incorporated into the fireplace. This cover will hide the ashpan (if used) or the gas controls (if a gas fire is installed).

For complete model choices, options and product codes please see pages 70 - 71.









# Kensington & Knightsbridge Inserts

As a reaction to the overtly ornate style of the Baroque period, and influenced by Roman architecture seen during the 'Grand Tour', aristocratic Georgians developed a taste for what became known as Neo-Classical designs where elegance and symmetry became emblematic.

The Kensington and Knightsbridge Inserts characterise this era perfectly. The only difference is that today you can choose to have a gas fire with upgradeable remote control if you do not wish to burn logs or coal.



Knightsbridge Insert, polished. Shown with Georgian, fully polished mantel and Gazco gas fire.

## Finish Options



Knightsbridge, Matt Black\* (8906BLK)



Kensington, Matt Black\* (8907BLK)

\* Shown with optional CE7409 firebrick.



Knightsbridge, Polished (8906)



Kensington, Matt Black (8907)

For complete model choices, options and product codes please see pages 70 - 71.

For details of complementary mantels please see pages 42 - 63.



Victorian Tiled Fireplace, highlight polished with Floral polished hood, Birds & Butterfly and Birds & Rushes 5-tile sets.  
Shown with Chatsworth wooden mantel in rich oak.



# Victorian Tiled Fireplaces

The Victorian Tiled Fireplace (and Art Nouveau overleaf) is designed to fit a modern 22" high x 16" wide (560 x 405mm) chimney opening, granting elegant period styling to a wide variety of homes.

For chimney openings with a Milner firebrick found in many British homes, the versatile Victorian Tiled Fireplace design can be fitted as a Front only, and is virtually indistinguishable from a full insert with exactly the same choice of finishes, hood styles and tiles.

Alternatively, you can choose this design with a cast iron back for a complete fireplace. Please see pages 26-27 for the complete insert version.



## Finish Options



Matt Black - fireplace only (VFP01)



Highlight Polished - fireplace only (VFP02)

## Hood Options



Classic - Matt Black (V18)



Floral - Matt Black (V4)



Classic - Polished (V19)



Floral - Polished (V16)

## Cast Iron Panels



Beautiful cast iron panels are an elegant alternative to tile sets. For more information, please see page 32.

For complete model choices, options and product codes please see pages 70 - 71.

For details of complementary mantels please see pages 42 - 63.



# Art Nouveau Tiled Fireplaces



Like the Victorian tiled fireplace on the preceding pages, the Art Nouveau can be fitted to the 22" high x 16" wide (560 x 405mm) chimney opening of a modern home, with or without a Milner firebrick.

Featuring richly detailed castings and a wide choice of tiles and finishes, the Art Nouveau can be selected as either a front only, for chimneys with a firebrick, or as a complete fireplace insert with cast iron back.

Please see pages 26-27 for the complete insert version.

## Finish Options



Matt Black (AFP01)



Highlight Polished (AFP02)

## Hood Options



Matt Black (AN3)

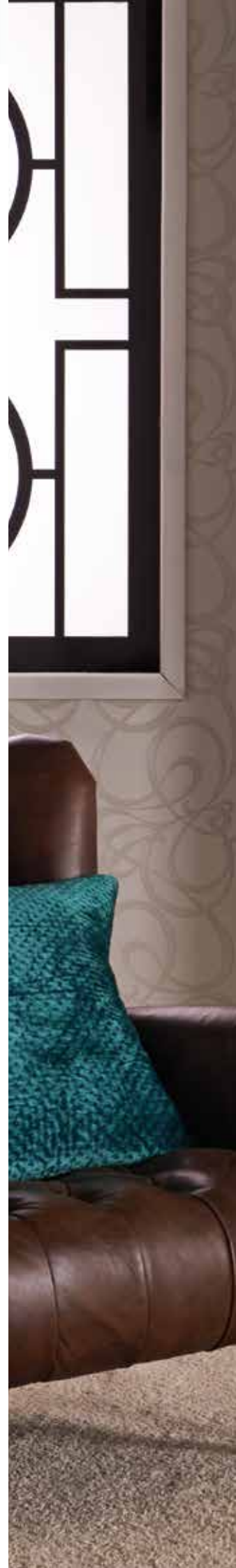


Highlight Polished (AN4)



## Cast Iron Panels

Beautiful cast iron panels are an elegant alternative to tile sets. For more information, please see page 32.





Art Nouveau Tiled Fireplace, matt black with matt black hood and 2 x Poppy and Wheat sheaf 5-tile sets. Shown with Pembroke wooden mantel in warm white.







## Tiled Fireplaces - Optional Cast Iron Back



Both Victorian and Art Nouveau tiled fireplace fronts become complete insert fireplaces with the addition of the optional cast iron back, which also includes a grate and baffle. These fireplaces can be inserted into a 36" by 36" (915 x 915mm) chimney opening or larger, and are intended to burn logs or coal. Alternatively, either of these historically accurate fireplaces can also be selected as a gas fire with optional remote control, for added convenience.



Art Nouveau Tiled Fireplace in matt black with optional cast iron back, Yellow Iris tiles. Shown with Georgian cast iron mantel in matt black

For complete model choices, options and product codes please see pages 70 - 71.

For details of complementary mantels please see pages 42 - 63.

# Victorian Tiled Convectors



This fireplace represents a rare combination of traditional style and modern efficiency. Timelessly elegant, the period design has been so subtly revised that you will hardly notice. What you will appreciate, however, is the added economy of convected heat whether you choose solid fuels or a Gazco living flame gas fire.

Choose from traditional matt black, highlight polished or fully polished finishes.

## Finish Options



Matt Black with hood (VCF03)



Highlight Polished with hood (VCF04SP)



Fully Polished with hood (VCF04FP)



## Cast Iron Panels

Beautiful cast iron panels are an elegant alternative to tile sets. For more information, please see page 32.





Victorian Convector Fireplace, matt black with 2 x Hanging Basket 8-tile sets. Also shown: Georgian wooden mantel in white.





Art Nouveau Convector Fireplace, fully polished with 10 x Purple Flag tiles.  
Also shown: Pembroke wooden mantel in white.

# Art Nouveau Tiled Convectors

Ingeniously adapted to bring you the greater efficiency of convector heating, this fireplace otherwise remains a splendid reflection of the Belle Epoque and the creative influence of artisans such as Galle, Tiffany and Lalique.

Choose from solid fuel or gas fire versions and traditional matt black, highlight polished or fully polished finishes, as well as options such as a host of matching tiles.



## Finish Options



Matt Black with hood (ACF03)



Highlight Polished with hood (ACF04)



Fully Polished with hood (ACF04FP)



## Cast Iron Panels

Beautiful cast iron panels are an elegant alternative to tile sets. For more information, please see page 32.

For complete model choices, options and product codes please see pages 70 - 71.

For details of complementary mantels please see pages 42 - 63.

# Combination Convectors



The combination fireplace was highly popular more than 100 years ago due to its compact size and amalgamation of fireplace and mantel into a single, complete design. This 21st Century version has been cleverly altered to provide you with the heating efficiency of a convector fire and is available in either solid fuel or gas. Both the flames and heat of the gas Combi Convector can be adjusted from the comfort of your armchair with the optional Command remote control.

## Finish Options



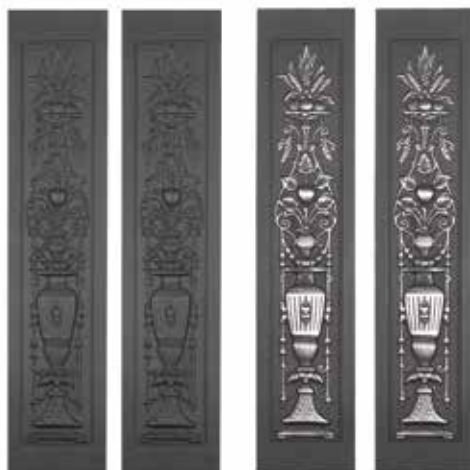
Matt Black (4362)



Highlight Polished (4363)

## Cast Iron Panels

With their delicate patterns and pictures, these beautiful Urn Design cast iron panels offer an elegant alternative to tile sets for selected classic Fronts, Inserts and Convectors. Available in matt black and highlight polished finishes. Those illustrated have been polished with Stovax Traditional Black Grate Polish.



Urn Design (4402)

Urn Design, polished (4402HP)

For complete model choices, options and product codes please see pages 70 - 71.

For details of complementary mantels please see pages 42 - 63.





Combination Convector, highlight polished with polished Urn design cast iron panels and Gazco Logic gas fire.





Combination Tiled Insert in matt black with 2 x Evening Primrose tile sets



## Combination Tiled Inserts

Based on an original design dating from 1895, this popular fireplace combines both insert and mantel in a single unit. It is, therefore, very easy to install and saves the additional expense of a separate mantel, whilst compact dimensions make it particularly suitable for smaller chimney breasts.

The Combination tiled insert is available in traditional matt black or highlight polished versions and can also be fitted with an optional gas fire.



### Finish Options



Matt Black (4359)



Highlight Polished (4360)



### Cast Iron Panels

Beautiful cast iron panels are an elegant alternative to tile sets. For more information, please see page 32.

For complete model choices, options and product codes please see pages 70 - 71.

For details of complementary mantels please see pages 42 - 63.





# London Cast Fronts

As the Georgian era developed, increasing numbers of the more wealthy landowners started to build or lease 'town houses' in London. The fireplace in these homes still retained its place as the focus of the room but was, of necessity, generally smaller than the grand, open chimneys incorporated into the 'ancestral seat'. Initially, the brick opening of the town house fireplace would contain an elaborate fire basket. Progressively, however, the addition of a cast front which could decrease, hide or improve the look of the opening became a typical feature.





Belgravia polished cast front with polished insert panel. Shown with Brompton mantel in warm white and Gazco Logic Convector gas fire with Chartwell front and Box Profil frame.



Belgravia matt black cast front with matt black insert panel. Shown with Pembroke wooden mantel in warm white and Gazco Logic Hotbox gas fire with Winchester frame in matt black.



# London Cast Fronts

Taking inspiration from period originals, Stovax has produced four masterpieces of casting to exemplify the London style.

All models are available in matt black or fully polished finishes and are, therefore, equally suitable for use in some of today's contemporary settings. An optional insert panel with 16" W x 22" H (412 x 560mm) or 22" W x 22" H (560 x 560mm) cut-out also allows you to use the Fronts with a modern chairbrick fireplace or a choice of Gazco Logic gas fires.



Stovax Stockton 3 Multi-fuel Ecodesign stove burning logs. Shown with Chelsea London Cast Front in Matt Black and Claremont Limestone Mantel.

Continued overleaf...

For complete model choices, options and product codes please see pages 70 - 71.

For details of complementary mantels please see pages 42 - 63.

# London Cast Fronts



Belgravia

Polished (8902), Matt Black (8902BLK)



Burlington

Polished (8903), Matt Black (8903BLK)



22" Insert Panel

Polished (8905), Matt Black (8905BLK)



Berkeley

Polished (8908), Matt Black (8908BLK)



Chelsea

Polished (8901), Matt Black (8901BLK)



16" Insert Panel

Polished (8904), Matt Black (8904BLK)



Berkeley matt black cast front with polished insert panel. Shown with Malmo wooden mantel in white and Gazco Logio Convector gas fire with Chartwell front and Arts frame.



Burlington polished cast front with polished insert panel. Shown with Pembroke wooden mantel in white and Gazco Logic Convector gas fire with Arts front and Box Profil frame.





# Cast Iron Mantels

---

Stovax have crafted a range of beautiful cast iron mantels to complement the classic fireplaces illustrated in this brochure. Designed to epitomise the styles of their period, these exacting reproductions will add presence and grace to any 19th Century inspired interior.









# Cast Iron Mantels

Based on popular styles in the Regency and Victorian periods these stunning cast iron mantel designs can be paired with the appropriate fireplace to make an authentic period statement in your home.

The Georgian will both accept any of our cast inserts; whilst the smaller Victorian can be paired with our Chelsea front (page 40)



## Georgian



Matt Black (4298)

See page 6 for image of Matt Black Georgian Cast Iron Mantel.



Fully Polished (4297)

## Victorian



Matt Black (4750)



Victorian matt black, cast iron mantel. Shown with Chelsea London front in matt black and Stovax Huntingdon 25 multi-fuel stove.



# Stone Mantels

Stone has been a traditional mantel material since the medieval times, whilst marble has been used for more than 300 years.

Based on authentic period originals, Stovax stone and marble mantels are available in six classic designs in either the clean look of antique white marble or the gentle warmth of natural limestone. Each mantel is truly unique by virtue of the naturally occurring veining, subtle tonal differences and indeed even small fossils that may be found in the limestone in particular.

Both stone mantel alternatives are elegant and durable and feature hand-finished craftsmanship. Offering the highest levels of aesthetic and tactile appeal, their beautiful and natural features will enhance the many fireplaces depicted in this brochure.



Decorative Arched insert in matt black, Shown with Victorian Corbel Antique White Marble mantel.





# Victorian Corbel & Claremont



### Victorian Corbel

A reproduction of an iconic 19th century design, this mantel's carved corbels hold a deep, bevelled shelf that would have been used for ornamentation, as was typical of the Victorian fireplace.

### Claremont

This classic fireplace mantel design works equally well in modern or period settings, thanks to its restrained styling and minimalist detailing.



Victorian Corbel Limestone mantel.  
Shown with Alexandra Insert, highlight polished.





Sandringham Limestone mantel.  
Shown with Kensington insert, polished.



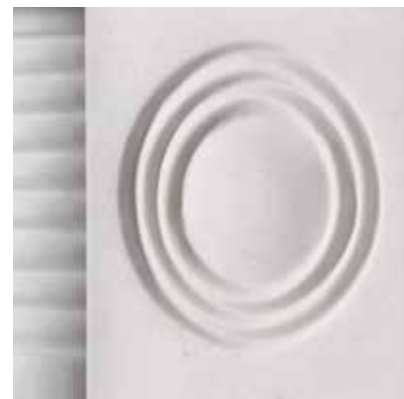
# Sandringham & Georgian Roundel

## Sandringham

Straight lines, stepped moulding and a corniced shelf create a beautiful layered form, which demonstrates the clear architectural influence of this 19th century mantel.

## Georgian Roundel

Corner roundels and fluted pilasters make this early 19th century mantel design a classical and refined fireplace surround with strong period heritage.



Georgian Roundel Antique White Marble mantel. Shown with Belgravia polished cast front, polished insert and Gazco Logic Hotbox gas fire with Winchester front.



## Cavendish Bolection & Grafton

### Cavendish Bolection

Based on an 18th century design, the Cavendish Bolection balances its imposing presence with flowing lines and clean, curved moulding, making it suitable for a range of interiors.

### Grafton

Luxurious bolection moulding with sweeping curves and flowing lines makes the Grafton an elegant choice that will lend style and grace to contemporary or traditional settings alike.



Grafton Limestone mantel.  
Shown with Belgravia polished cast front  
and Gazco Huntingdon 20 gas stove.



# Stone Mantels - Key Details



Victorian Corbel

Pages 3, 13, 19, 47, 48 and front cover



Claremont

Pages 16 and 49



Sandringham

Pages 50, 55 and back cover



Georgian Roundel

Pages 15 and 51



Grafton

Page 53



Cavendish Bolection

Page 52

Sandringham Limestone mantel.  
Shown with and Gazco Reflex 75T gas  
fire with Black Reeded lining.



“ I saw the angel in the marble  
& carved until I set him free ”

- Michaelangelo

		Claremont	Georgian Roundel	Victorian Corbel	Grafton	Cavendish Bolection	Sandringham
Overall Width	ins	61¼	57⅞	60	55¾	57½	61
	mm	1555	1460	1525	1415	1460	1550
Height	ins	45	42¼	46	46	52	48
	mm	1143	1082	1170	1165	1320	1220
Shelf Depth	ins	7½	8	9⅞	4	8	9
	mm	190	200	250	105	207	227
Leg to leg (outer)	ins	52¾	50¼	54⅞	55¾	50	52½
	mm	1331	1277	1375	1415	1270	1325
Opening (w x h)	ins	36 x 36	36 x 36	36 x 36	36 x 36	36 x 36	36 x 36
	mm	915 x 915	915 x 915	915 x 915	915 x 915	915 x 915	915 x 915
Rebate	ins	1¼	1¼	1¼	1¼	1¼	1¼
	mm	30	30	30	30	30	30
Antique White Marble		9002CLWM	9001GEWM	9004VIWM	9003GRWM	9000CAWM	9005SAWM
Limestone		9002CLTL	9001GETL	9004VITL	9003GRTL	9000CATL	9005SATL

Limestone and Marble are natural materials, therefore each piece will have tonal differences, natural veining and possibly fossil inclusions in the limestone.



# Wood Mantels

Stovax offers a wide choice of wood mantels to complement the many period fireplaces illustrated in this brochure. Most are designed to fit all models but the Chatsworth, with its grand proportions and larger opening, is particularly recommended for use with the Adelaide inserts.





Pembroke wooden mantel in grey.  
Shown with Alexandra insert in matt black.





Adam



Alborg



Art Deco



Brompton



Carlton



Chatsworth



Copenhagen



Georgian

“What I dream of is  
an art of balance”

- Henri Matisse



Gazco Logic HE gas fire with log-effect fuel bed and Tempo front.  
Shown with Brompton wooden mantel in rich oak.



Malmö wooden mantel in white.  
Shown with Gazco Logic HE log-effect fire with Wave front.



“  
Simplicity is the  
ultimate sophistication”

- Leonardo da Vinci



Helsinki



Regency



Pembroke



Victorian



Small Georgian



Malmo



Brompton wooden mantel in white.  
Shown with Stovax Stockon 5 multi-fuel stove.

# Wood Mantel Finishes & Dimensions

Every Stovax mantel utilises high-quality timbers sourced from renewable plantations and each is carefully selected for close, even grains and freedom from blemishes. The timber is also thoroughly kiln dried to prevent it warping or cracking in the widely varying temperatures around the fireplace.

Manufacture of each individual mantel is undertaken by skilled craftsmen, ensuring timber colours are evenly matched and that every mantel is an individual piece of workmanship. Where you specify a stain finish, these are designed to enhance the character of the wood grain to the full. The result is a fine piece of furniture that will add grace to even the most elegant of rooms.



Chatsworth wooden mantel in waxed antique pine. Shown with Art Nouveau Convector gas fireplace.

	Overall Width		Height		Shelf Depth		Opening (w x h)		Rebate	
	ins	mm	ins	mm	ins	mm	ins	mm	ins	mm
Adam	53	1345	45½	1165	8	203	36 x 36	915 x 915	1 or 3	25 or 75
Alborg	49½	1258	40½	1030	6	152	31½ x 30¾	809 x 770	1 or 3	25 or 75
Art Deco	52	1320	40	1016	5½	150	32 x 30	812 x 762	1 or 3	25 or 75
Brompton	53½	1360	45	1143	7½	190	36 x 36	915 x 915	1 or 3	25 or 75
Carlton	58	1475	48¼	1225	8½	206	36¼ x 36	920 x 915	1 or 3	25 or 75
Chatsworth	56	1420	47½	1215	8½	225	37 x 37½	940 x 950	1 or 3	25 or 75
Copenhagen	54	1370	43¼	1099	8	203	35 x 35	890 x 890	1 or 3	25 or 75
Georgian	54	1370	44¾	1135	8	203	36 x 36	915 x 915	1 or 3	25 or 75
Helsinki	54	1370	44½	1130	6½	165	31¼ x 33¼	794 x 845	3	75
Malmö	54	1370	45½	1155	8	203	38 x 37	965 x 940	1 or 3	25 or 75
Pembroke	54	1370	48	1220	8	203	36 x 36	915 x 915	1 or 3	25 or 75
Regency	54	1370	46	1170	9½	241	36 x 36	915 x 915	1 or 3	25 or 75
Small Georgian	48	1220	43¾	1095	8	203	30 x 34½	760 x 877	1 or 3	25 or 75
Victorian	55	1400	44¼	1125	9¾	238	36 x 36	915 x 915	1 or 3	25 or 75

	White*	Warm White*	Grey*	Light Oak	Rich Oak	Medium Oak	Waxed Oak	Mahogany Stained Utile	Lacquered Antique Pine	Waxed Antique Pine	Oak Veneer*	Walnut Veneer*
Adam	4194	-	-	-	-	-	-	4594	4193AP	4193WP	-	-
Alborg	3574W	3574WW	-	-	3574K	3574MK	3574WK	-	-	-	3574VK	3574VW
Art Deco	3560W	3560WW	-	-	-	-	-	-	-	-	3560VK	3560VW
Brompton	3565W	3565WW	3565GY	3565LK	3565K	-	3565WK	-	3565AP	3565WP	-	-
Carlton	-	-	-	-	4786	-	4786WK	-	4786AP	4786WP	-	-
Chatsworth	-	-	-	-	4177K	-	4177WK	4593	4177AP	4177WP	-	-
Copenhagen	-	-	-	3572LK	3572K	3572MK	3572WK	-	-	-	-	-
Georgian	4270	-	-	4043LK	4043K	-	4043WK	4591	4043AP	4043WP	-	-
Helsinki	-	-	-	-	-	-	-	-	-	-	3563MK	3563VW
Malmö	3561W	3561WW	-	-	-	-	-	-	-	-	3561VK	3561VW
Pembroke	3567W	3567WW	3567GY	3567LK	3567K	-	3567WK	-	3567AP	3567WP	-	-
Regency	-	-	-	-	-	-	-	-	4169	4169WP	-	-
Small Georgian	-	-	-	3500LK	3500K	-	3500WK	3500M	3500AP	3500WP	-	-
Victorian	-	-	-	-	-	-	-	-	4191AP	4191WP	-	-





Georgian wooden mantel in warm white  
Shown with Huntingdon 30 gas stove in Ivory enamel.

### White



Made from MDF, primed in White & finished with a second coat of satin White Lacquer.

### Waxed Oak



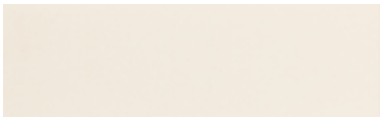
A traditional American hard wood kiln-dried to expose its natural beauty and finished with a wax to enhance the grain.

### Medium Oak



A rustic American hard wood kiln-dried to expose its natural beauty and finished with three coats of lacquer.

### Warm White



Made from MDF, white primed & smoothly finished with a second coat of satin Warm White Lacquer.

### Light Oak



A lighter American hard wood kiln-dried to expose its natural beauty and finished with three coats of satin sheen lacquer.

### Waxed Antique Pine



Canadian pine coated with a warm antique stain and finished with a matt wax to give a traditional finish.

### Grey



Made from MDF, primed in White & finished with a second coat of satin Grey Lacquer.

### Rich Oak



North American White Oak, a traditional hardwood, supplied with a light yet rich stain to enhance the natural grain.

### Lacquered Antique Pine



Canadian pine coated with a warm antique stain. Finished with three coats of lacquer to give an antique appearance.

### Mahogany Stained Utile



An evenly grained hardwood stained with a rich Mahogany colour and finished with a satin sheen lacquer.

### Oak Veneer



High-quality oak veneer on a MDF base. Finished with a satin sheen lacquer to bring out the beauty of the Oak.

### Walnut Veneer



An American Black Walnut veneered onto a MDF base & elegantly hand finished with a permanent satin sheen.

# Fireplace Tiles

Choose from authentically-crafted tube-lined tiles with highly translucent glazes or colourful decorated tiles that faithfully reflect the charm and style of the Victorian fireplace.





# Tube-Lined & Raised Line Tiles

Tube-lining is a method of decorating glazed items developed and used extensively during the Arts & Crafts and Art Nouveau periods, where the outline of each design is hand-piped onto each individual piece. Coloured translucent glazes are then applied by hand to the separate areas of the design. With the exception of the Rose and Bud set, all tiles on this page are produced in this way.

Developed around the same time, raised line decoration saw an outline embossed onto the body of the tile before the coloured glazes were applied. The Rose and Bud tile panel is a faithful reproduction of this style using modern techniques.

Owing to the high cost of producing these hand-decorated tiles, they are not part of the 'inclusive price' of Stovax tiled cast iron fireplaces but they can be specified for a supplementary charge.



Yellow Iris  
(4850 - Brown background)



Purple Flag  
(4921 - Green background)



Belleflower  
(4922 - Victorian Cream background)



Blue Peonies  
(4926 - Brown background)



Yellow Foxglove  
(4928 - Burgundy background)



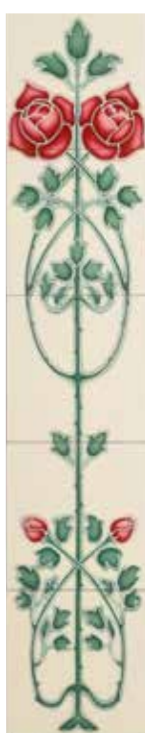
Evening Primrose  
(4852 - Green background)



English Rose  
(4929 - Burgundy background)



Rhododendron  
(4930 - Brown background)



Rose and Bud  
(4853 - Victorian Cream background)

# Decorated Tiles

Faithfully reproduced from Victorian originals, Stovax fireplace tiles are ideal for use in both antique and reproduction cast iron tiled fireplaces.



Plant & Urn  
5-tile set (4057)



Poppy & Wheat sheaf  
5-tile set (4058)



Hanging Basket  
8-tile set (4276)



Birds & Butterfly  
5-tile set (4369)

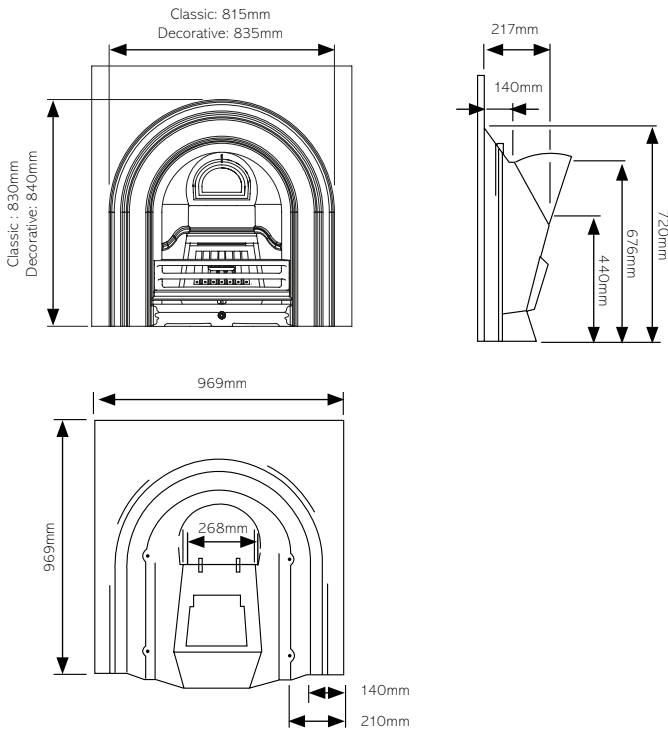


Birds & Rushes  
5-tile set (4370)

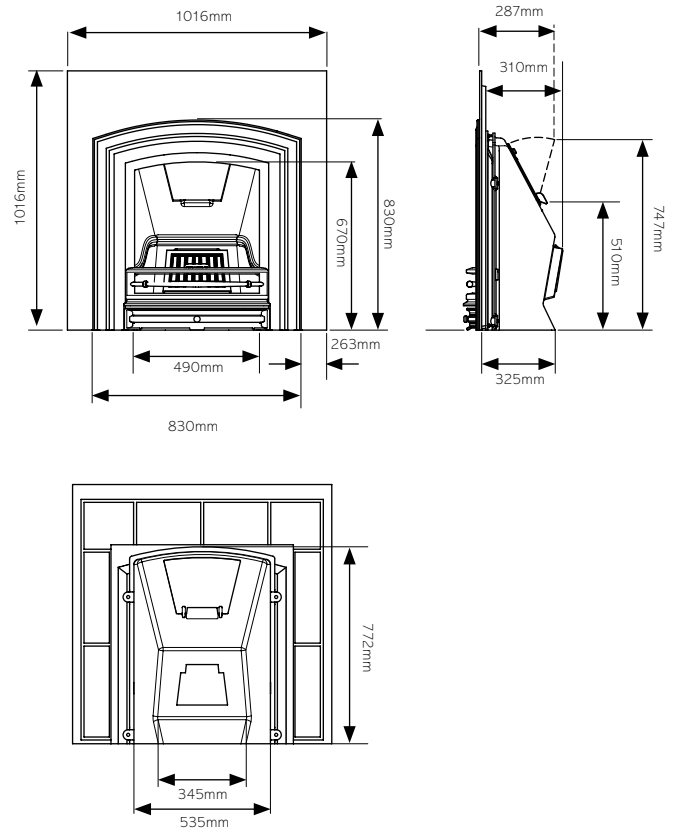


# Insert Fireplace Dimensions

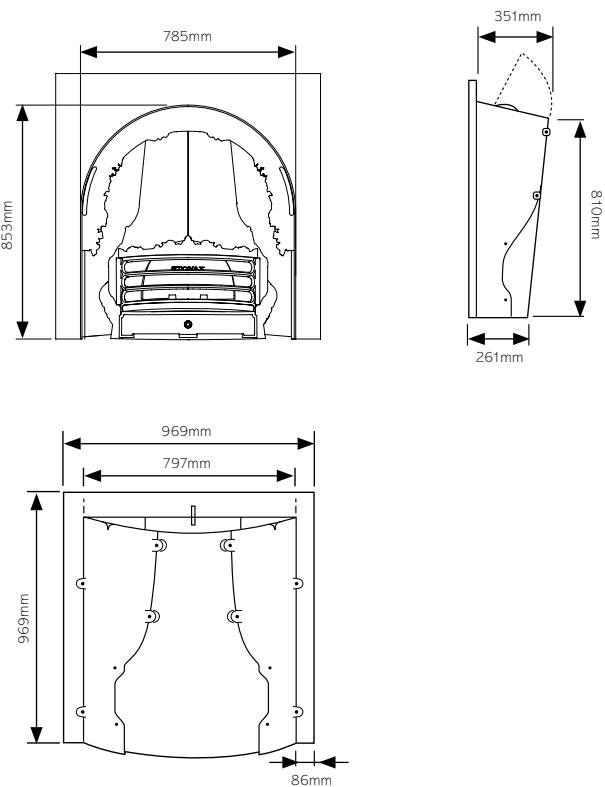
## Classic and Decorative Arched Inserts



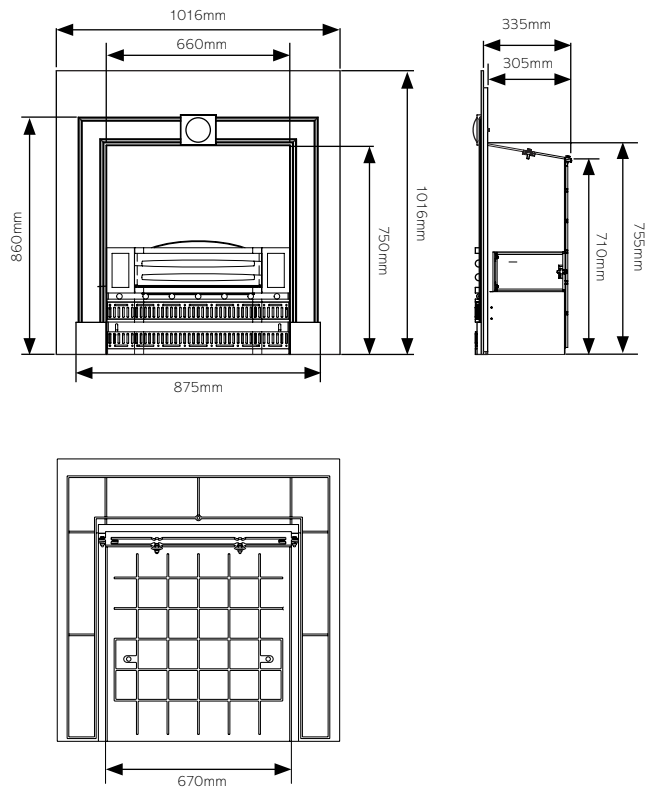
## Alexandra Inserts



## Adelaide Inserts

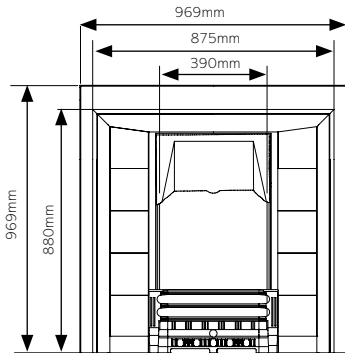


## Kensington & Knightsbridge Inserts

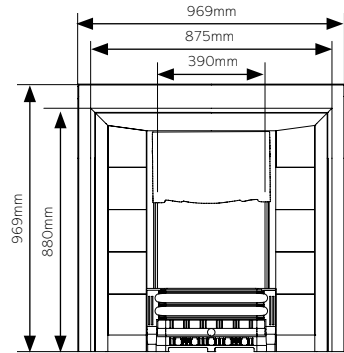


# Tiled Fireplace & Convector Dimensions

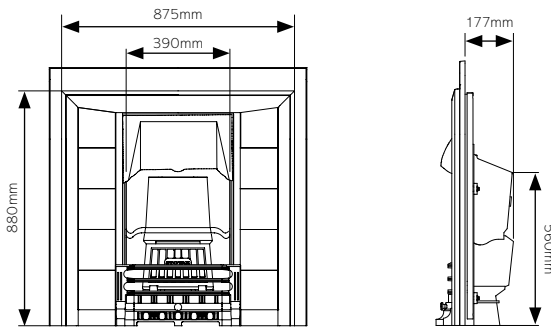
Victorian Tiled Front



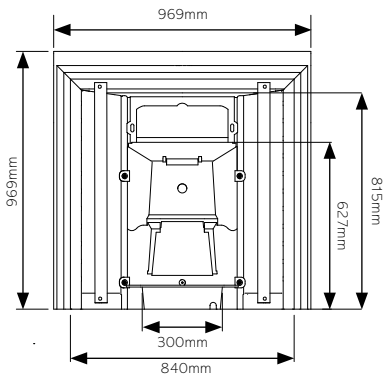
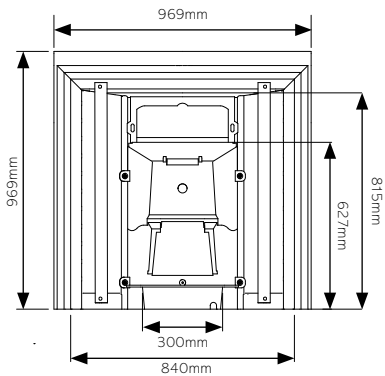
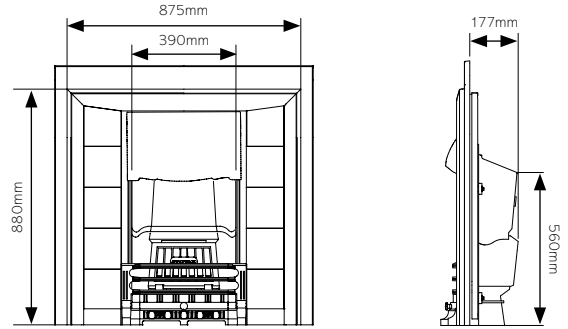
Art Nouveau Tiled Front



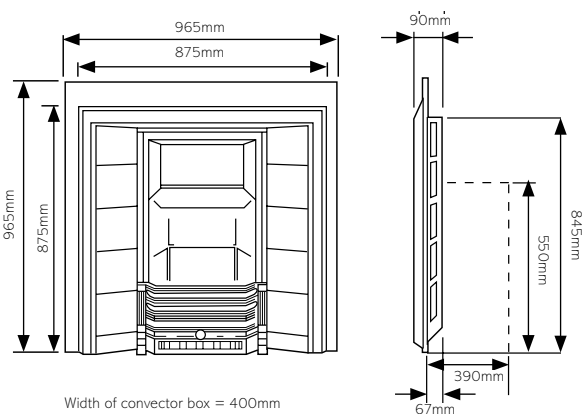
Victorian Tiled Front with Cast Iron Back



Art Nouveau Tiled Front with Cast Iron Back

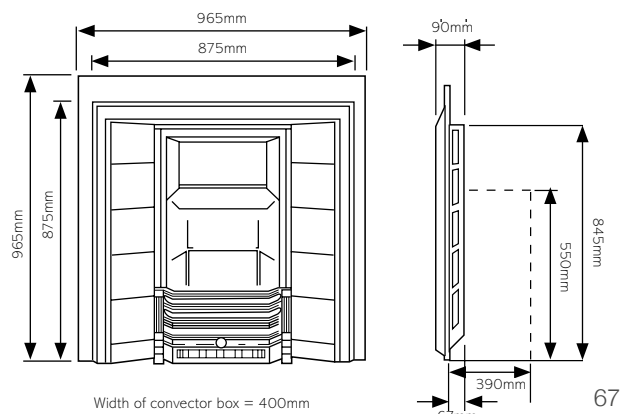


Victorian Tiled Convector



Width of convector box = 400mm

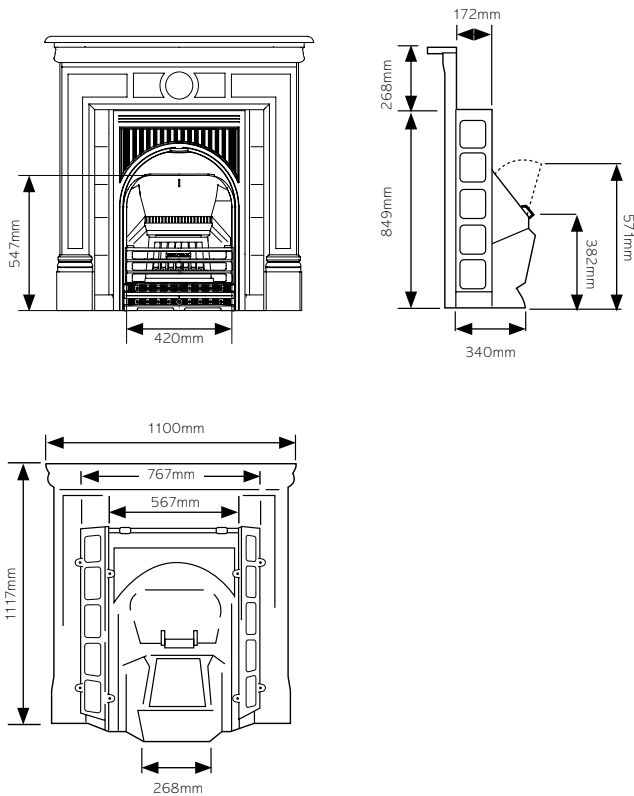
Art Nouveau Tiled Convector



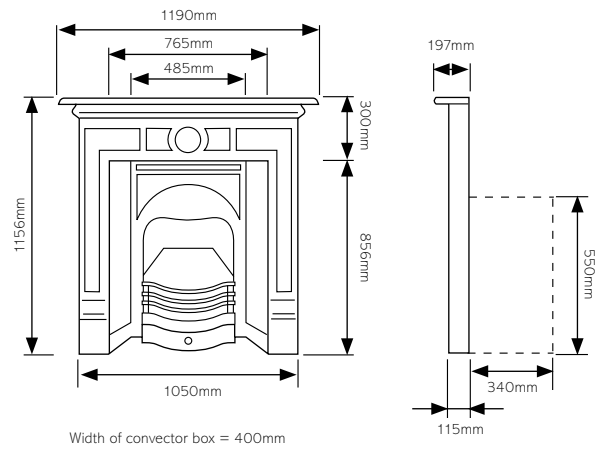
Width of convector box = 400mm

# Combination Fireplace Dimensions

Combination Tiled Insert

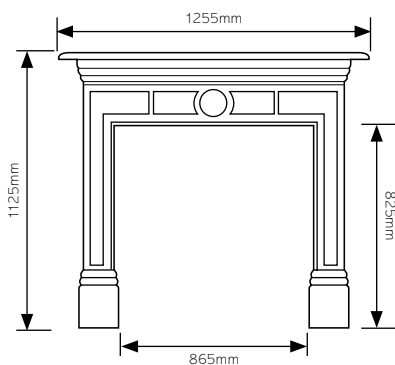


Combination Tiled Convectector

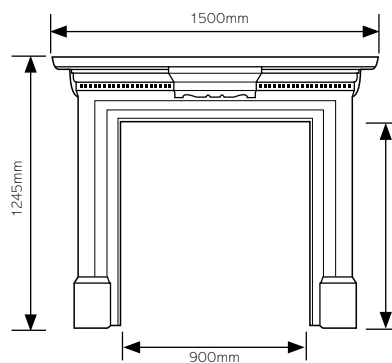


# Cast Mantel Dimensions

Victorian Cast Mantel



Georgian Cast Mantel

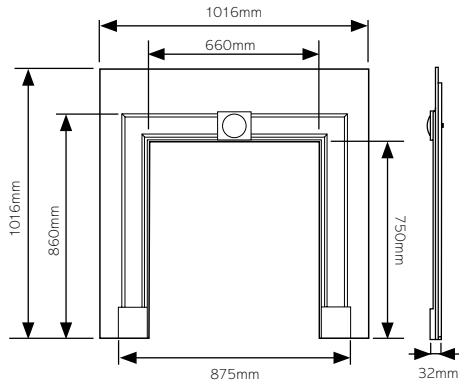


Please note the Victorian Cast Mantel cannot be used with any Insert Fireplaces, Tiled fireplaces or Cast Fronts with the exception of the Chelsea.

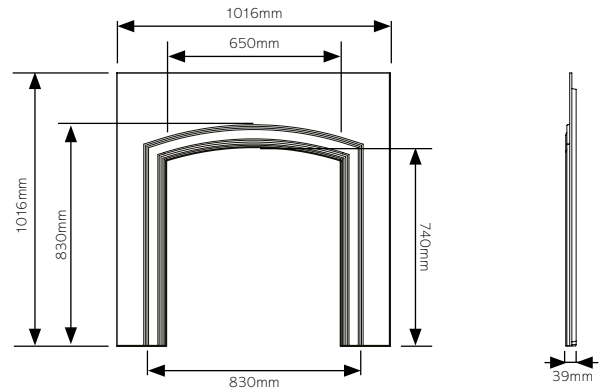


# London Front Dimensions

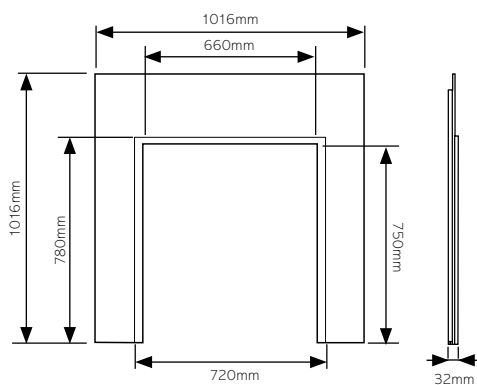
Belgravia & Burlington Cast Fronts



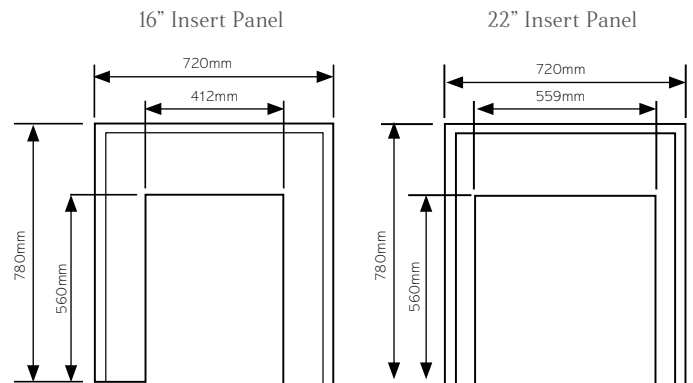
Berkeley Cast Fronts



Chelsea Cast Fronts



London Cast Insert Panels



# Fireplace Product Codes and Options

## Classic Fireplaces - Solid Fuel & Gas

Fireplaces			Options					
Matt black	Highlight polished	Fully Polished	Ashpan	Firebrick	Gazco coal effect gas fire* (Natural gas)	Gazco coal effect gas fire* (LPG)	Gazco log effect gas fire* (Natural gas)	Gazco log effect gas fire* (LPG)
<b>Classical Arched with ashpan cover</b>								
4386	4386HP	4387	4384	-	8064MCUC	P8064MCUC	-	-
<b>Decorative Arched with ashpan cover</b>								
4389	4389HP	4390	4384	-	8064MCUC	P8064MCUC	-	-
<b>Alexandra with ashpan cover</b>								
4440	4440HP	4440FP	4439	-	Please contact Gazco Customer Services for details.			
<b>Adelaide with ashpan cover</b>								
4248	-	4250	4384	-	-	-	-	-
<b>Kensington</b>								
8907BLK	-	8907	MEC8149	CE7409	8023MCUC	P8023MCUC	8023LUC	P8023LUC
<b>Knightsbridge</b>								
8906BLK	-	8906	MEC8149	CE7409	8023MCUC	P8023MCUC	8023LUC	P8023LUC
<b>Combination Tiled Insert with ashpan cover</b>								
4359	4360	-	4385	-	8062MCUC	P8062MCUC	-	-

**Important notes**

\*All gas fires are supplied as manual control but can be upgraded for use with a Gazco Command remote control with optional kit 8455.

## London Cast Fronts

Fireplaces		Options							
Matt black	Fully Polished	16" x 22" cut out panel (Matt Black)	16" x 22" cut out panel (Polished)	22" x 22" cut out panel (Matt Black)	22" x 22" cut out panel (Polished)	Gazco Logic Hotbox coal effect gas fires* (Class 1 & Class 2 Chimneys)		Gazco Logic Convector coal effect gas fires* (Class 1 & Class 2 Chimneys)	
						Nat Gas	LPG	Nat Gas	LPG
<b>Burlington</b>									
8903BLK	8903	8904BLK	8904	8905BLK	8905	Manual: 101-021 Slide: 101-224 Remote: 101-083	Manual: 101-512 Slide: 101-519 Remote: 101-741	Manual: 101-295 Slide: 101-053 Remote: 101-349	Manual: 101-418 Slide: 101-796 Remote: 101-528
<b>Belgravia</b>									
8902BLK	8902	8904BLK	8904	8905BLK	8905	Manual: 101-021 Slide: 101-224 Remote: 101-083	Manual: 101-512 Slide: 101-519 Remote: 101-741	Manual: 101-295 Slide: 101-053 Remote: 101-349	Manual: 101-418 Slide: 101-796 Remote: 101-528
<b>Chelsea</b>									
8901BLK	8901	8904BLK	8904	8905BLK	8905	Manual: 101-021 Slide: 101-224 Remote: 101-083	Manual: 101-512 Slide: 101-519 Remote: 101-741	Manual: 101-295 Slide: 101-053 Remote: 101-349	Manual: 101-418 Slide: 101-796 Remote: 101-528
<b>Berkeley</b>									
8908BLK	8908	8904BLK	8904	8905BLK	8905	Manual: 101-021 Slide: 101-224 Remote: 101-083	Manual: 101-512 Slide: 101-519 Remote: 101-741	Manual: 101-295 Slide: 101-053 Remote: 101-349	Manual: 101-418 Slide: 101-796 Remote: 101-528

**Important notes**

\*Gazco convector fires are only suitable for the 16" x 22" cut out panels. Logic Convector fires do not require additional room ventilation. Please ask your retailer for details. Codes for Gazco convector fires and fronts can be found in Gazco's Inset Fires brochure, please speak to your retailer or visit [www.gazco.com](http://www.gazco.com) for full selection and details.

## Tiled Fireplaces# - Solid Fuel & Gas

Choose fireplace then hood option separately.

Fireplaces		Hood Options				Options				
Matt black	Fully Polished	Black Classical Hood	Black Floral Hood	Polished Classical Hood	Polished Floral Hood	16" Milner Grate	Cast Iron Back**	Ashpan	Gazco coal effect gas fire* (Natural gas)	Gazco coal effect gas fire* (LPG)
<b>Victorian Front</b>										
VFP01	VFP02	V18	V4	V19	V16	4368	4444**	4395	8202MCUC / 8102MCUC†	P8202MCUC / P8102MCUC†
<b>Art Nouveau Front</b>										
AFP01	AFP02	AN3	-	AN4	-	4908	4444**	4395	8202MCUC / 8102MCUC†	P8202MCUC / P8102MCUC†

### Important notes

\*All gas fires are supplied as manual control but can be upgraded for use with a Gazco Command remote control with optional kit 8455.

\*\* Optional Cast Iron Back for a fully inset fireplace will be required if no Milner brick is fitted.

†When fitted with a Cast Iron Back

#Tiles need to be purchased separately.

## Tiled Convactor Fireplaces# - Solid Fuel & Gas

Fireplaces			Options		
Matt black	Highlight Polished	Fully Polished	Solid Fuel Bundle*	Gazco Logic Convactor coal effect gas fires** (Class 1 & Class 2 Chimneys)	
<b>Victorian Convactor with hood</b>				Manual	Remote Control
VCF03	VCF04SP	VCF04FP	8601VICAN	Nat Gas: 101-295 LPG: 101-418	Nat Gas: 101-349 LPG: 101-528
<b>Art Nouveau Convactor with hood</b>					
ACF03	ACF04	ACF04FP	8601VICAN	Nat Gas: 101-295 LPG: 101-418	Nat Gas: 101-349 LPG: 101-528
<b>Combination Convactor</b>					
4362	4363	-	8601COMBI	Nat Gas: 101-295 LPG: 101-418	Nat Gas: 101-349 LPG: 101-528

### Important notes

\*For solid fuel fireplaces only

\*\* Logic Convactor fires do not require additional room ventilation. Please ask your retailer for details.

#Tiles need to be purchased separately.

## Also available from the Stovax Group



In addition to the wide selection of fireplaces shown in this brochure, The Stovax Group also offers a number of wood, solid fuel, gas and electric fires and stoves, which are covered in separate dedicated brochures. Whether you want to achieve a contemporary look or traditional interior, The Stovax Group has the perfect solution whatever your style or budget.



For more information on other Stovax and Gazco products, please contact your local retailer or visit [www.stovax.com](http://www.stovax.com)





Kensington Insert, polished. Shown with Sandringham, limestone mantel.



Stovax Limited, Falcon Road, Sowton Industrial Estate,  
Exeter, Devon, England EX2 7LF

Trade Sales Tel: 01392 474000 / NI: 01392 261990  
Email: [info@stovax.com](mailto:info@stovax.com) / NI: [northernireland@stovax.com](mailto:northernireland@stovax.com)  
Export Sales Tel: +44 1392 261990  
Email: [exportsales@stovax.com](mailto:exportsales@stovax.com)  
[www.stovax.com](http://www.stovax.com)

**Find Your Retailer**

You can find your nearest retailer by  
visiting: [www.stovax.com/retailers](http://www.stovax.com/retailers)



Distributed by:

Brochure ref: CLAS1221

