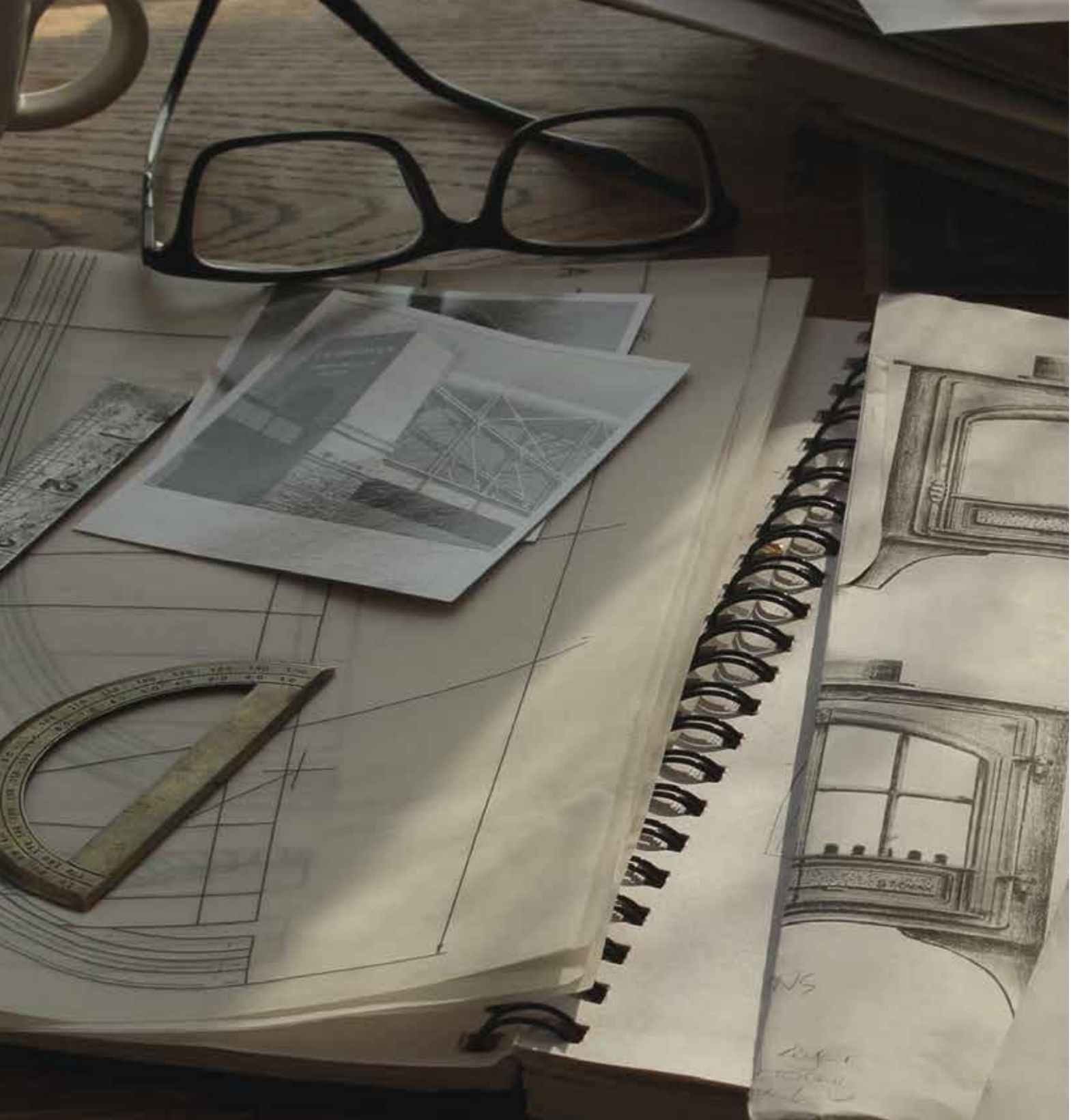




STOVAX

Woodburning and Multi-fuel Stoves





From our hands to your home...



A Stovax stove is the sum of over 40 years of British design and engineering. Designed to not only provide a deep, warming heat for your home, each brings with it both character and individuality. Whether you opt for one of our traditional or contemporary designs, our obsessive attention to detail ensures our stoves are as refined on the outside as they are innovative on the inside.



Contents

Forged to Last	04
A Modern and Natural Answer	06
Designed for our Environment	08
Complete Peace of Mind	10
High Performance Heating	12
Traditional Stoves	14
Chesterfield	16
Sheraton	20
Huntingdon	24
Stockton	28
County	40
Contemporary Stoves	48
Futura 5	50
Vogue	52
Contemporary Fires	66
Technical Information	68
Professional XQ™ Chimney Systems ..	73
Exceeding Ecodesign	74
Further Information	76
Accessories and Stove Care	78
Warranty Information	80
Gas and Electric Stoves	82

Forged to Last

Our woodburning and multi-fuel stoves are innovatively designed, solidly built and meticulously tested to ensure they continue to heat your home for many years to come.





Innovation in Design

With creativity and innovation at the heart of what we do, our expert design team continues to create unique, industry leading stoves that both inspire and endure.

From the moment the first concept is sketched by hand, through to the mapping of airflow in the combustion chamber using cutting-edge software, stove design is a science we have been perfecting since 1981.

We continually invest in our research and development facilities to ensure our team is at the forefront of fire design. Our pioneering concepts and technologies make our woodburning and multi-fuel models some of the most sought after stoves available.

We are proud to have been recognised as an award-winning manufacturer, for our high-quality products and innovative technology. Find out more at stovax.com/awards



Quality Construction

Built with the finest quality materials, each stove is engineered here in the UK. Doors shut reassuringly to form an airtight seal, and air controls slide home both easily and responsively – year after year.

Cast iron and heavy gauge steel are used across our ranges to ensure each stove is built to the highest tolerances.

Possessing excellent thermal qualities, cast iron allows for the casting of intricate designs, making it perfect for traditional stoves. Heavy gauge steel is also an outstanding choice for stove construction, offering greater scope for design thanks to its versatile nature.



Rigorously tested

In our pioneering laboratories, each stove is put through a series of demanding tests to make sure it performs not only reliably but exceptionally.

Here our development engineers continually refine our products to exceed the toughest UK and European standards, ensuring they are some of the cleanest burning and safest stoves available.

The Stovax Heating Group itself is also subject to stringent tests and we are proud to be an ISO9001 and ISO 14001 accredited company; recognised for our continued commitment to technical innovation, high quality products and excellent customer and after-sales care.

Our rigorous quality control system ensures that all our appliances are safety checked and that they comply with the appropriate regulations, with all fires in this brochure bearing the UKCA and CE marks. Similarly, our environmental management systems ensure we work in a sustainable manner, whilst endeavouring to protect the environment by minimising any possible impact from our operations.



A Modern and Natural Answer to Home Heating

Burning wood for heat has many benefits, and when burnt responsibly on a high efficiency Stovax stove it offers a natural, sustainable off-grid solution to home heating.



Wood or Multi-fuel?

All Stovax stoves are designed for high efficiency woodburning. Stoves that burn only wood have a burn chamber with a flat bed, as wood burns best on a bed of ashes.

Multi-fuel stoves burn logs but also give you the freedom to burn smokeless fuels with equally high efficiency. Depending on the model, the stove's robust riddling grate can be opened or closed, allowing ash to be easily riddled into a built-in ash pan below. This allows air to flow under the fire to create the optimum conditions for burning these solid fuels.

Encouraging Sustainable Woodland

We are working with Certainly Wood, our recommended Woodsure "Ready to Burn" fuel supplier who pride themselves on making an impact on environmental targets by championing sustainability.

When you register your new Stovax stove, the Stovax Heating Group and Certainly Wood will jointly fund the planting of a tree. For more information, see page 81.

Our goal is to plant up to 10,000 new trees each year to make a tangible contribution to sustainable woodland creation.



Natural Heat

Unlike fossil fuels, wood releases approximately the same amount of carbon into the atmosphere as that absorbed during its growth, making it a virtually carbon neutral heat source.

Choosing one of our high efficiency low emission stoves is a great step towards burning responsibly. To ensure your stove provides optimum heating performance, only wood with a low moisture content should be burnt. Seasoned logs should be allowed to dry for at least two years or more to achieve a moisture content below 20%, which can be easily checked with a moisture meter. When purchasing seasoned or kiln dried wood, look for the Woodsure "Ready to Burn" certification which guarantees logs will have less than 20% moisture.

Good quality dry wood will not only provide a higher heat output than that of freshly felled timber, it will also avoid a build-up of tar in your flue and ensure low smoke emissions with clean and crisp flame visuals.



STOVAX

To learn more about how to burn clean, visit stovax.tv to view our instructional videos.



Designed for our Environment

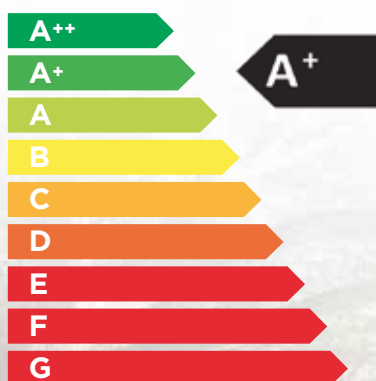
When you choose to heat your home with a Stovax Cleanburn stove, you are choosing an environmentally designed product. Our high efficiency Cleanburn technology is engineered to generate the maximum amount of heat from your fuel, with minimal emissions.





High Efficiency

All Stovax stoves have been designed to burn with high thermal efficiency, minimising the loss of heat energy during combustion. Every model in this brochure is subject to UK energy labelling standards and almost all are rated as either A or A+ energy class appliances. Energy class and efficiency information is listed on each stove's product page for easy reference.



Urban Area Approved

Most town and city homes are located in Smoke Control Areas. To burn logs in these locations, the stove installed must be granted exemption from these restrictions by the government through DEFRA.



This exemption is given only to appliances which have been independently tested to demonstrate particularly clean burning combustion. All stoves in this brochure are DEFRA exempt for use in Smoke Control Areas (when the appropriate smoke control kit is fitted and used in accordance with the product operating where specified) and this is shown on each product page. Your Stovax retailer can give you further help and advice.

Ecodesign Plus

Whilst all of our stoves feature Cleanburn technology for high efficiency heating in Smoke Control Areas, they also meet, and in many cases even exceed, Ecodesign emission and efficiency standards. Our Ecodesign products represent the cutting-edge of low emission stoves, reducing particulates by up to 84% in comparison with old appliances.

Ecodesign aims to improve air quality. From 2022, stove manufacturers will only be able to sell Ecodesign Ready appliances. All of our Ecodesign stoves and those of our distributed brands have been verified as meeting the stringent air quality and efficiency standards of the Ecodesign directive, and can be found displaying our Ecodesign Plus label. This helps you easily see which products meet these standards for ultra-low emissions.

We believe this is the future of solid fuel heating, which is why the Stovax Heating Group is proud to offer the largest range of Ecodesign wood and multi-fuel stoves and fires in the UK and Ireland. Visit www.stovax.com/ecodesign for our complete range.

*For further information on our Ecodesign Plus stoves please see page 74.

Complete Peace of Mind

Expert Retailer Network

We take great care to ensure that our stoves are designed, tested and manufactured to the highest possible quality and safety standards. It is just as important to us that they are sold and installed correctly, so that you get years of enjoyment from your purchase.

Accordingly, you will find our products are only available from experienced, independent retailers who will be happy to show you a selection of models locally in their showrooms, often burning.

These independent retailers will help you with your individual requirements, both technical (such as sizing the heat output to your room and advising on your flue type) and design, to ensure that you select the right stove for your home. They will also be able to advise on or help with the installation of your stove, as well as help provide any after-sales support and servicing your appliance may require in the future.

Whilst we encourage our retailers to promote fireplace products and their outlets via the internet, we do not believe suitable levels of customer care and satisfaction can be obtained from purchasing the product only online and we would strongly recommend that you consider this when undertaking your research and making a purchasing decision. Furthermore, please be aware that we do not offer technical support (beyond our statutory responsibilities) to products bought via nationwide online sales, where this support would normally be offered by one of our qualified, independent retailers.

You can find your nearest retailer by visiting:
www.stovax.com/retailers



Five Year Extended Warranty

When you purchase a Stovax stove from our Expert Retailer Network your retailer will provide you with a Five Year Extended Warranty for your new solid fuel stove, provided it is registered with Stovax (see page 80). Stoves purchased outside of Stovax's Expert Retailer Network will carry a standard 1 Year Warranty. Full warranty terms & conditions are available to view at www.stovax.com





WIN the cost of your product back!

by registering your product online for your free extended warranty. See page 81 for details.

High Performance Heating

The Stovax woodburning and multi-fuel stove ranges include a wide range of different styles and sizes to suit your home. Each stove collection is designed and engineered here in Great Britain and features cutting-edge combustion systems with easy to use controls. The result is a stove that gives you stunning flames and high performance heating.





Top or rear flue pipe exit

Warm air channels between the firebox and the outer walls of the stove and back into the room for enhanced heating performance.



Baffle system ensures minimal heat is lost up the chimney

Powerful Airwash system cleans glass for a superb view of the flames.



Radiated heat warms room.

High density thermal brick lining for high efficiency heating

Integral Heat shields - lower temperatures behind the appliance for reduced distance to combustibles.

Optional External Air Facility for draught reduction (selected models)



Dedicated woodburning / Multi-fuel riddling system



Triple airflow system employs heated air jets to ignite hydrocarbons for stunning flame visuals and high efficiency clean burning (selected models)



Airtight door with large viewing window

Easy to use, responsive control system

Plinth, log store bases or stove bench styling options for elevated flames

High quality construction using the finest materials possible

Many stoves in this brochure are designed to be suitable for installation with a 12mm hearth (selected models). See page 77 for more information.



Traditional Stoves

Our traditional stoves combine classic casting details with modern combustion technology. Timelessly styled, they add elegance and character to period and contemporary interiors alike.

Chesterfield	16 - 19
Sheraton	20 - 23
Huntingdon	24 - 27
Stockton	28 - 39
County	40 - 47





Chesterfield 5
woodburning
Ecodesign stove
in Stovax Grafton
Limestone mantel.



▶ SEE IT BURNING AT:
stovax.com/chesterfield

Chesterfield 5

Elegantly styled, the Chesterfield convector range combines traditional cast iron detailing with a large stove window for a stunning view. At home in a town house or country cottage, this timeless Chesterfield 5 can also create a designer statement in contemporary settings.



Chesterfield 5 woodburning Ecodesign stove.



Key Facts and Product Codes



5kW (2.5-7kW)



330mm

A+

up to 80%

- Multi-fuel model (with external riddling)
- Woodburning model
- Convector Heat Flow System
- Integral Heat Shields
- Cast Iron & Heavy Gauge Steel
- Cleanburn and Airwash Systems
- DEFRA Exempt from Smoke Control areas
- Ecodesign Plus (see page 74)
- Optional longer legs (see page 80)
- Optional dedicated external air kit
- Room vent not normally required**
- Flue outlet - 5" top or rear
- 12mm hearth compatible (see page 77)
- Matt Black Finish

Product Codes

Woodburner	705-332
Multi-fuel	705-562
External Air Kit (page 76)	SH-5AIR both models
172mm Long Legs	705-807 (see page 80 for image)



See page 80 for additional image.

**For more information on room vents, please see page 79
For product dimensions please see page 68 onwards



*Chesterfield 5 Wide multi-fuel
Ecodesign stove burning logs.*

 SEE IT BURNING AT:
stovax.com/chesterfield

Chesterfield 5 Wide

The Chesterfield 5 Wide has been designed with expansive frontal proportions and a slimline firebox, for stunning flame views and a 5kW heat output suitable for a range of homes. This impressive convector stove is a great option for rooms requiring the presence and aesthetics of a larger stove, without the depth.



Chesterfield 5 Wide multi-fuel Ecodesign stove burning logs.

Key Facts and Product Codes



5kW (2.5-7kW)



400mm

A

up to 79%

- Multi-fuel model (with external riddling)
- Convector Heat Flow system
- Integral Heat Shields
- Cast Iron & Heavy Gauge Steel
- Cleanburn and Airwash Systems
- DEFRA Exempt from Smoke Control areas
- Ecodesign Plus (see page 74)
- Optional longer legs
- Optional dedicated external air kit
- Room vent not normally required**
- Flue outlet – 5” top or rear
- 12mm hearth compatible (see page 77)
- Matt Black Finish

Product Codes

Multi-fuel	705-577
External Air Kit (page 76)	SH-5WIDAIR
172mm Long Legs	705-807



For product dimensions please see page 68 onwards

**For more information on room vents, please see page 79




Sheraton 5

The Sheraton 5's classic but sophisticated aesthetics are designed to grace period or modern interiors alike. Visuals are prioritised by the vast stove window that grants superb views of the fire, and next generation, low emission combustion systems make these convector stoves perfect for town or country living.



Sheraton 5 multi-fuel
Ecodesign stove burning logs.

Key Facts and Product Codes

		
5kW (2-7kW)	330mm	up to 80%

- Multi-fuel model (with external riddling)
- Woodburning model
- Convector Heat Flow System
- Integral Heat Shields
- Cast Iron & Heavy Gauge Steel
- Cleanburn and Airwash Systems
- DEFRA Exempt for Smoke Control Areas
- Ecodesign Plus (see page 74)
- Optional longer legs
- Optional dedicated external air kit
- Room vent not normally required**
- Flue outlet - 5" top or rear
- 12mm hearth compatible (see page 77)
- Matt Black Finish

Product Codes

Woodburner	SH-5W-E
Multi-fuel	SH-5M-E
External Air Kit (page 76)	SH-5AIR both models
172mm Long Legs	SHLEG170



**For more information on room vents, please see page 79
For product dimensions please see page 68 onwards



SEE IT BURNING AT:
stovax.com/sheraton5



Sheraton 5 Wide multi-fuel Ecodesign stove burning logs.

 SEE IT BURNING AT:
stovax.com/sheraton5wide

Sheraton 5 Wide

The Sheraton 5 Wide displays unparalleled flame visuals thanks to its large frontal dimensions and expansive viewing window. Yet thanks to its shallow depth, this impressive convector stove provides a nominal 5kW heat output, making it the perfect choice for standard room sizes.



Sheraton 5 Wide multi-fuel Ecodesign stove burning logs.

Key Facts and Product Codes



5kW (2.5-7kW)



400mm

A

up to 79%

- Multi-fuel model (with external riddling)
- Convector Heat Flow system
- Integral Heat Shields
- Cast Iron & Heavy Gauge Steel
- Cleanburn and Airwash Systems
- DEFRA Exempt for Smoke Control Areas
- Ecodesign Plus (see page 74)
- Optional longer legs
- Optional dedicated external air kit
- Room vent not normally required**
- Flue outlet – 5” top or rear
- 12mm hearth compatible (see page 77)
- Matt Black Finish

Product Codes

Multi-fuel	SH-5WIDM-E
External Air Kit (page 76)	SH-5WIDAIR
172mm Long Legs	SHLEG170



**For more information on room vents, please see page 79
For product dimensions please see page 68 onwards



SEE IT BURNING AT:
stovax.com/huntingdon25

*Huntingdon 25 Ecodesign stove in Matt Black with Clear Door burning logs.
Also shown, Stovax Claremont mantel in Limestone.*

Huntingdon 25



It may be the smallest stove in the Huntingdon range, but the Ecodesign Plus Huntingdon 25's low emission burning performance makes it suitable for everything from a country cottage to a modern townhouse. Ideal for burning logs, yet equally proficient with smokeless fuels or peat briquettes, the compact Huntingdon 25 is just the stove to bring you a picture of comfort this winter.



Huntingdon 25 Ecodesign stove in Matt Black with Tracery Door burning logs.

Key Facts and Product Codes



4.9kW (3-7kW)



250mm



up to 78%

- Multi-fuel model (with external riddling)
- Cast Iron Construction
- Airwash System
- Tracery or Clear Door models (Matt Black)
- DEFRA Exempt for Smoke Control Areas*
- Ecodesign Plus (see page 74)
- Flue outlet - 5" top or rear
- Room vent not normally required**
- 12mm hearth compatible (see page 77)
- Matt Black Finish

Product Codes

Multi-fuel - Tracery Door	7058
Multi-fuel - Clear Door	7057
Smoke Control Kit	H25SCKIT

For product dimensions please see page 68 onwards

** When fitted with a Smoke Control Kit*

***For more information on room vents, please see page 79*

Huntingdon 30

The Ecodesign Huntingdon 30 combines traditional cast iron styling with a state-of-the-art convector combustion system that lowers distance to combustibles. All models are available with a removable door handle and a choice of clear or tracery door.



Huntingdon 30 woodburning Ecodesign stove, with Tracery Door, shown with ceramic wood effect beam.

Key Facts and Product Codes



5kW (3.5-7.5kW)



330mm

A+

up to 82%

- Multi-fuel models (with external riddling)
- Woodburning model
- Tracery or Clear Door models
- Removable door handle
- Convector Heat Flow system
- Integral Heat Shields
- Cast Iron & Heavy Gauge Steel
- Cleanburn and Airwash Systems
- DEFRA Exempt for Smoke Control Areas
- Ecodesign Plus (see page 74)
- Integrated External Air Connection (room sealed when fitted with external air supply)

Product Codes

Woodburner with Clear Door	701-068
Woodburner with Tracery Door	701-042
Multi-fuel with Clear Door	701-473
Multi-fuel with Tracery Door	701-496
Outdoor Air Kit - 80mm	998-080



For product dimensions please see page 68 onwards

- Room vent not normally required**
- Flue outlet - 5" top or rear
- 12mm hearth compatible (see page 77)
- Matt Black Finish



Huntingdon 30 woodburning Ecodesign stove, with Clear Door.

 SEE IT BURNING AT:
stovax.com/huntingdon30

Stockton 3



The compact Ecodesign Plus Stockton 3 is specifically designed to fit neatly into a standard 22" (560mm) high x 16" (405mm) wide fireplace opening with the chairbrick removed. Thanks to its small proportions, the Stockton 3 is equally suitable for houseboats, summerhouses and garden workshops.



Stockton 3 Ecodesign stove burning logs.

Key Facts and Product Codes



4.8kW
(2-5kW)



200mm



up to 78.1%

Product Codes

Multi-fuel	721-731
------------	---------

For product dimensions please see page 68 onwards

***For more information on room vents, please see page 79*

- Multi-fuel model (with external riddling)
- Integral Heat Shields
- Cast Iron & Heavy Gauge Steel
- Cleanburn and Airwash Systems
- DEFRA Exempt for Smoke Control Areas
- Ecodesign Plus (see page 74)
- Flue outlet - 5" top or rear
- Room vent not normally required**
- 12mm hearth compatible (see page 77)
- Matt Black Finish


*Stockton 3 Multi-fuel Ecodesign stove
burning logs. Shown with Chelsea
London Cast Front in Matt Black and
Claremont Limestone Mantel.*



SEE IT BURNING AT:
stovax.com/stockton3

*Stockton 4 multi-fuel Ecodesign stove burning logs.
Shown with ceramic wood-effect beam.*



 SEE IT BURNING AT:
stovax.com/stockton4

Stockton 4



With its slim, vertical alignment the Stockton 4 Ecodesign Plus stove is ideally suited to smaller rooms and will complement traditionally styled or contemporary interiors alike.



Stockton 4 woodburning Ecodesign stove with Stovax Malmo mantel and Highline log store.

Key Facts and Product Codes



5kW (2.5-7kW)



200mm



up to 80.2%

- Multi-fuel models (with external riddling)
- Woodburning models
- Integral Heat Shields
- Cast Iron & Heavy Gauge Steel
- Cleanburn and Airwash Systems
- DEFRA Exempt for Smoke Control Areas
- Ecodesign Plus (see page 74)
- Flue outlet - 5" top or rear
- Room vent not normally required**
- Matt Black Finish

Product Codes

Wood model	721-146
Multi-fuel model	721-744

For product dimensions please see page 68 onwards

***For more information on room vents, please see page 79*

Stockton 5



A great all-rounder, the Ecodesign Plus Stockton 5 is a mid-sized stove that will add personality to any room – modern or traditional. Integral heat shields make the Stockton 5 compatible with low-profile 12mm hearths as well as lowering minimum distance to combustibles to the rear for increased installation options.



Stockton 5 multi-fuel Ecodesign stove burning logs.

Key Facts and Product Codes



5kW (2.5-7kW)



330mm

A

up to 79.2%

- Multi-fuel models (with external riddling)
- Woodburning models
- Integral Heat Shields
- Cast Iron & Heavy Gauge Steel
- Cleanburn and Airwash Systems
- DEFRA Exempt for Smoke Control Areas
- Ecodesign Plus (see page 74)
- Flue outlet - 5" top or rear
- Room vent not normally required**
- 12mm hearth compatible (see page 77)
- Matt Black Finish

Product Codes

Woodburner	721-160
Multi-fuel	721-750

Further image shown on page 4

For product dimensions please see page 68 onwards

**For more information on room vents, see page 79

Stockton 5 woodburning Ecodesign stove. Shown burning logs with Stovax Brompton mantel in White.



SEE IT BURNING AT:
stovax.com/stockton5

Stockton 5 Wide Ecodesign Fixed Grate Woodburning and Multi-fuel Stove, with Single Door. Shown with Stovax Claremont Limestone mantel.



SEE IT BURNING AT:
stovax.com/stockton5wide

Stockton 5 Wide



This wide format Stockton prioritises flame visuals with its landscape burn chamber and expansive viewing window. Whilst designed to predominantly burn wood, this stove is fitted with a fixed grate for the option of burning smokeless fuels if desired. Thanks to its shallower depth and choice of single or double doors, this versatile 5kW stove suits a broad range of room sizes and fireplaces, with the impressive flame picture of a much larger model.



Stockton 5 Wide Ecodesign Fixed Grate Wood Burning and Multi-fuel Stove with Double Doors.

Key Facts and Product Codes



5kW (2.5-7kW)



400mm

A+

up to 80.2%

- Fixed grate for option of burning multi-fuel
- Cast Iron & Heavy Gauge Steel
- Single and two door models
- Cleanburn and Airwash Systems
- Ecodesign Plus (see page 74)
- DEFRA Exempt for Smoke Control Areas
- Integral Heat Shields
- Flue outlet - 5" top or rear

Product Codes

Fixed grate wood & multi-fuel - single door	721-772
Fixed grate wood & multi-fuel - two door	721-789

For product dimensions please see page 68 onwards

***For more information on room vents, please see page 79*

- Room vent not normally required**
- Shallow depth
- 12mm hearth compatible (see page 77)
- Matt Black Finish



 SEE IT BURNING AT:
stovax.com/stockton8

Stockton 8 woodburning Ecodesign stove with Double Doors.

Stockton 8



This versatile Ecodesign stove is offered in a variety configurations to change the appearance and expand functionality. Choose from either single or double door options to suit you home.



Stockton 8 multi-fuel Ecodesign stove, with Single Door.
The stove is shown burning smokeless fuel.

Key Facts and Product Codes



8.3kW
(4-11kW)



400mm

A

up to 78.4%

- Multi-fuel models (external riddling)
- Woodburning models
- Cast Iron & Heavy Gauge Steel
- Cleanburn and Airwash Systems
- Ecodesign Plus (see page 74)
- DEFRA Exempt for Smoke Control Areas
- Integral Heat Shields
- Single and Two Door models
- Flue outlet - 6" top or rear
- Matt Black Finish

Product Codes

Wood - flat top, single door	721-191
Wood - flat top, two door*	721-202
Multi-fuel - flat top, single door	721-675
Multi-fuel - flat top, two door	721-681

* Two door version - UK Registered Design Application No. 3001055

For product dimensions please see page 68 onwards

Stockton 11



The Stockton 11 Ecodesign woodburning stove with Double Doors looks just as at home in a modern open plan house as it does in the large inglenook of a country cottage.

Stockton 11 woodburning Ecodesign stove with Double Doors.



Key Facts and Product Codes



11.3kW (7-14kW)



500mm



76.2%

Product Codes

Wood - flat top, single door	721-236
Wood - flat top, two door	721-243

For product dimensions please see page 68 onwards

- Woodburning model
- Cast Iron & Heavy Gauge Steel
- Cleanburn and Airwash Systems
- Single and Two Door models
- Ecodesign Plus (see page 74)
- DEFRA Exempt for Smoke Control Areas
- Integral Heat Shields
- Flue outlet - 6" top or rear
- Matt Black Finish



Stockton 11 woodburning Ecodesign stove with Single Door.

SEE IT BURNING AT:
stovax.com/stockton11

County 3



The charming Ecodesign County 3 features a compact rustic exterior designed to suit both traditional and modern interiors. Incorporating timeless styling including a classic arched window and door bevelling, this delightful stove offers spectacular flame views.



County 3 Ecodesign stove burning logs.

Key Facts and Product Codes



4.8kW (2-6kW)



200mm



78.1%

Product Codes

Multi-fuel

735-437

***For more information on room vents, please see page 79*

- Multi-fuel model (with external riddling)
- Cast Iron & Heavy Gauge Steel
- Cleanburn and Airwash Systems
- DEFRA Exempt for Smoke Control Areas
- Ecodesign Plus (see page 74)
- Integral Heat Shields
- Flue outlet - 5" top or rear
- Room vent not normally required**
- 12mm hearth compatible (see page 77)
- Matt Black Finish



County 3 Ecodesign
stove burning logs.



SEE IT BURNING AT:
stovax.com/county



SEE IT BURNING AT:
stovax.com/county

County 5 Multi-fuel Ecodesign stove burning logs.

County 5



With their rustic-meets-modern exterior, County 5 Ecodesign stoves are designed to offer personality in whichever room they grace, as well as practical and high-efficiency heat. DEFRA exempt across the range and true to their aesthetic, these neat stoves are suited to both town and country living alike.



County 5 Woodburning Ecodesign stove.

Key Facts and Product Codes



5kW (2.5-7kW)



330mm



79.2%

- Multi-fuel models (with external riddling)
- Woodburning models
- Cast Iron & Heavy Gauge Steel
- Cleanburn and Airwash Systems
- DEFRA Exempt for Smoke Control Areas
- Ecodesign Plus (see page 74)
- Integral Heat Shields
- Room vent not normally required**
- Flue outlet - 5" top or rear
- 12mm hearth compatible (see page 77)
- Matt Black Finish

Product Codes

Woodburner	735-039
Multi-fuel	735-479

Further images shown on pages 14, 70 and back cover

**For more information on room vents, please see page 79



County 5 Wide



The County 5 Wide brings presence and impressive flame visuals in equal measure to your home. With a wide firebox, this Ecodesign stove offers the same great flame visuals as the larger County 8 (overleaf), but with a shallow depth and 5kW heat output.



County 5 Wide Ecodesign Fixed Grate Wood & Multi-fuel stove burning logs.

Key Facts and Product Codes



5kW (2.5-7kW)



400mm



80.2%

Product Codes

Multi-fuel

735-521

- Fixed grate for option of burning multi-fuel
- Cast Iron & Heavy Gauge Steel
- Cleanburn and Airwash Systems
- Ecodesign Plus (see page 74)
- DEFRA Exempt for Smoke Control Areas
- Integral Heat Shields
- Flue outlet - 5" top or rear
- Room vent not normally required**
- Shallow depth
- 12mm hearth compatible (see page 77)
- Matt Black Finish

**For more information on room vents, please see page 79



*County 5 Wide Ecodesign
Fixed Grate Wood & Multi-fuel
stove burning logs.*



SEE IT BURNING AT:
stovax.com/county



 SEE IT BURNING AT:
stovax.com/county

County 8 woodburning Ecodesign stove.

County 8



With an impressive 8kW heat output, the County 8 is a large format Ecodesign woodburning stove perfect for bringing warmth and fireside allure to larger rooms.



County 8 woodburning Ecodesign stove.

Key Facts and Product Codes



8.3kW (4-11kW)



400mm



77.8%

Product Codes

Woodburner

735-145

- Woodburning model
- Cast Iron & Heavy Gauge Steel
- Cleanburn and Airwash Systems
- DEFRA Exempt for Smoke Control Areas
- Ecodesign Plus (see page 74)
- Integral Heat Shields
- Flue outlet - 6" top or rear
- Matt Black Finish



Contemporary Stoves

Our contemporary stove collection presents captivating designs with elegant, minimalist styling. Adding a signature piece to any setting, these designer stoves feature expansive viewing windows for an uninterrupted view of the flames.

Futura 5	50 - 51
Vogue	52 - 65



Futura 5 Ecodesign woodburning stove shown with ceramic wood-effect beam.



Futura 5 multi-fuel Ecodesign stove, shown burning logs.



 SEE IT BURNING AT:
stovax.com/futura5

Futura 5



The Futura 5 prioritises spectacular flame visuals and high efficiency heat. Featuring a contemporary exterior with curved door and large expansive viewing window, this stunning log burner is suitable for both traditional and modern homes alike.



Futura 5 woodburning Ecodesign stove.

Key Facts and Product Codes

		
5kW (3.5-7.5kW)	330mm	up to 82%

- Multi-fuel models (with external riddling)
- Woodburning model
- Convector Heat Flow system
- Integral Heat Shields
- Cast Iron & Heavy Gauge Steel
- Cleanburn and Airwash Systems
- DEFRA Exempt for Smoke Control Areas
- Ecodesign Plus (see page 74)
- Integrated External Air Connection (room sealed when fitted with external air supply)

Product Codes

Woodburner	715-010
Multi-fuel	715-458

For product dimensions please see page 68 onwards

***For more information on room vents, please see page 79*

Further images shown on page 8, page 48 and page 71

- Room vent not normally required**
- Flue outlet - 5" top or rear
- 12mm hearth compatible (see page 77)
- Matt Black Finish



Vogue Small



An excellent choice for smaller fireplaces or living spaces, the Vogue Small provides an ample 5kW of heat despite being the most compact model in the range. This stylish stove can be selected in a variety of mounting options.



Vogue Small woodburning Ecodesign stove with optional Plinth base.

Key Facts and Product Codes



5kW (2-7kW)



280mm



up to 81%

- Woodburning model
- Cast Iron & Heavy Gauge Steel
- Cleanburn and Airwash Systems
- DEFRA Exempt for Smoke Control Areas
- Ecodesign Plus (see page 74)
- Integral Cast Iron Top Plate
- Optional Plinth & Midline wood store bases
- Optional dedicated external air kit
- Room vent not normally required*
- Stove bench compatible (see page 78)
- Flue outlet - 5" top or rear
- 12mm hearth compatible (see page 77)
- Matt Black Finish

Product Codes

Woodburner	VG-SMWU-E
Plinth Base	VG-SM-BP
Midline Base	VG-SM-BML-E
External Air Kit (page 76)	SMAIR-E
Heat Shield (page 76)	VG-SMHSK-E
Stove Benches	See page 78

For product dimensions please see page 68 onwards

**For more information on room vents, please see page 79*



Vogue Small woodburning Ecodesign stove with optional Midline base.

SEE IT BURNING AT:
stovax.com/voguesmall



SEE IT BURNING AT:
stovax.com/voguesmallt

Vogue Small T



This taller version of the Vogue Small offers the same compact footprint whilst providing a portrait flame view. Plinth or Midline log store bases, as well as our choice of stove benches offer further styling possibilities.



Vogue Small T multi-fuel Ecodesign stove burning logs with optional Plinth.

Key Facts and Product Codes



WB: 4.8kW
MF: 5kW
(2-7kW)



280mm

WB: MF:

A A+

up to 80%

- Multi-fuel model (with external riddling)
- Woodburning model
- Cast Iron & Heavy Gauge Steel
- Cleanburn and Airwash Systems
- DEFRA Exempt for Smoke Control Areas
- Ecodesign Plus (see page 74)
- Integral Cast Iron Top Plate
- Optional Plinth & Midline wood store bases
- Optional dedicated external air kit
- Room vent not normally required*
- Stove bench compatible (see page 78)
- Flue outlet - 5" top or rear
- 12mm hearth compatible (see page 77)**
- Matt Black Finish

Product Codes

Woodburner	VG-SMTWU-E
Multi-fuel	VG-SMTMU-E
Plinth Base	VG-SM-BP both models
Midline Base	VG-SM-BML-E both models
External Air Kit (page 76)	SMAIR-E both models
Heat Shield (page 76)	VG-SMTHSK-E both models
Wood Kit	WDKITSM
Stove Benches	See page 78

For product dimensions please see page 68 onwards

*For more information on room vents, please see page 79

**woodburning model only

Vogue Midi



Offering a superb view of the flames, the versatile styling of the Vogue Midi fits perfectly into contemporary and traditional interiors alike. The range's advanced Ecodesign combustion systems allow the Midi to reach an impressive 81% thermal efficiency whilst generating an ample 5kW of heat.



Vogue Midi multi-fuel Ecodesign stove burning logs with optional Midline wood store base.

Key Facts and Product Codes



5kW (2.5-7kW)



330mm



up to 78%

- Multi-fuel model (with external riddling)
- Woodburning model
- Cast Iron & Heavy Gauge Steel
- Cleanburn and Airwash Systems
- DEFRA Exempt for Smoke Control Areas
- Ecodesign Plus (see page 74)
- Integral Cast Iron Top Plate
- Optional Plinth & Midline wood store bases
- Optional dedicated external air kit
- Room vent not normally required*
- Stove bench compatible (see page 78)
- Flue outlet - 5" top or rear
- Matt Black Finish

Product Codes

Woodburner	VG-MIDWU-E
Multi-fuel	VG-MIDMU-E
Plinth Base	VG-MID-BP both models
Midline Base	VG-MID-BML-E both models
External Air Kit (page 76)	MIDAIR-E both models
Heat Shield (page 76)	VG-MIDHSK-E both models
Stove Benches	See page 78

Further image shown on page 78

For product dimensions please see page 68 onwards

**For more information on room vents, please see page 79*



*Vogue Midi woodburning Ecodesign stove with optional Plinth base.
Shown with Stovax Claremont mantel in Limestone.*

 SEE IT BURNING AT:
stovax.com/voguemidi

Vogue Midi T
woodburning Ecodesign
stove with optional
Midline wood store base



SEE IT BURNING AT:
stovax.com/voguemidit

Vogue Midi T



With its tall burn chamber and viewing window, the Midi T provides impressive flames for eye-catching visuals. The range's next generation combustion systems ensure low smoke emissions and high efficiency burning.



Vogue Midi T multi-fuel Ecodesign stove burning logs with optional Plinth base.



Vogue Midi T woodburning Ecodesign stove with optional Plinth base and wall mounting bracket.

SEE IT BURNING AT:
stovax.com/voguemitwall

Key Facts and Product Codes



5kW (2.5-7kW)



330mm



up to 80%

- Multi-fuel model (with external riddling)
- Woodburning model
- Cast Iron & Heavy Gauge Steel
- Cleanburn and Airwash Systems
- DEFRA Exempt for Smoke Control Areas
- Ecodesign Plus (see page 74)
- Integral Cast Iron Top Plate
- Optional Plinth & Midline wood store bases
- Optional dedicated external air kit
- Room vent not normally required*
- Optional Wall Mounting Bracket
- Highline version available (see page 60)
- Stove bench compatible (see page 78)
- Flue outlet - 5" top or rear
- 12mm hearth compatible (see page 77)**
- Matt Black Finish

Product Codes

Woodburner	VG-MIDTWU-E
Multi-fuel	VG-MIDTMU-E
Plinth Base	VG-MID-BP both models
Midline Base	VG-MID-BML-E both models
Wall Mounting Bracket	MIDWM
External Air Kit (page 76)	MIDAIR-E both models
Heat Shield (page 76)	VG-MIDTHSK-E both models
Stove Benches	See page 78

Further image shown on front cover and page 72

For product dimensions please see page 68 onwards

**For more information on room vents, please see page 79*

***woodburning model only*

Vogue Midi T Highline
woodburning Ecodesign stove.



SEE IT BURNING AT:
stovax.com/voguehighline

Vogue Midi T Highline

Creating an impressive centrepiece in any setting, the Vogue Midi T Highline stands on a tall, log store base, which offers easy access to logs through either the front door or open sides. This advanced stove features our Convector Heat Flow system, which increases heating performance whilst lowering minimum distances to combustibles for expanded installation versatility.



Vogue Midi T Highline multi-fuel
Ecodesign stove burning logs.

Key Facts and Product Codes



5kW (2.5-7kW)



330mm



up to 80%

- Multi-fuel model (with external riddling)
- Woodburning model
- Convector Heat Flow System
- Integrated heat shields
- Cast Iron & Heavy Gauge Steel
- Cleanburn and Airwash Systems
- DEFRA Exempt for Smoke Control Areas
- Ecodesign Plus (see page 74)
- Integral Cast Iron Top Plate
- Optional dedicated external air kit
- Room vent not normally required*
- Flue outlet - 5" top or rear
- 12mm hearth compatible (see page 77)
- Matt Black Finish

Product Codes

Woodburner	VG-MIDTHLWU1-E
Multi-fuel	VG-MIDTHLMU1-E
Rear External Air Kit (page 76)	MIDAIR-E both models
Base External Air Kit (page 76)	MIDTBHSE-E both models



For product dimensions please see page 68 onwards

*For more information on room vents, please see page 79



SEE IT BURNING AT:
stovax.com/voguemedium

Vogue Medium woodburning Ecodesign stove.

Vogue Medium



With an expansive stove window that features the range's self-cleaning Airwash technology, the Medium's superb flame visuals provide a captivating focal point on a cold winter's eve. This large format stove is offered in woodburning and multi-fuel versions and can be installed with Plinth, Midline log store or stove bench mounting options.



Vogue Medium woodburning Ecodesign stove with optional Midline wood store base.

Key Facts and Product Codes



WB: 7.8kW
MF: 8.2kW
(5-11kW)



430mm



up to 80%

- Multi-fuel model (with external riddling)
- Woodburning model
- Cast Iron & Heavy Gauge Steel
- Cleanburn and Airwash Systems
- DEFRA Exempt for Smoke Control Areas
- Ecodesign Plus (see page 74)
- Integral Cast Iron Top Plate
- Optional Plinth & Midline wood store bases
- Optional dedicated external air kit
- Stove bench compatible (see page 78)
- Flue outlet - 6" top or rear
- 12mm hearth compatible (see page 77)
- Matt Black Finish

Product Codes

Woodburner	VG-MEDWU-E
Multi-fuel	VG-MEDMU-E
Plinth Base	VG-MED-BP both models
Midline Base	VG-MED-BML both models
External Air Kit (page 76)	MEDIAIR-E both models
Heat Shield (page 76)	VG-MEDHSK-E both models
Wood Kit	WDKITMED
Stove Benches	See page 78

For product dimensions please see page 68 onwards

*Vogue Medium Slimline
multi-fuel Ecodesign stove
burning logs with optional
Midline wood store base.*



 SEE IT BURNING AT:
stovax.com/voguemediumslimline

Vogue Medium Slimline

This wide-format stove offers the stunning flame visuals of the more powerful Medium model (page 62) whilst maintaining a 5kW heat output, thanks to its slim depth. This stylishly contemporary stove is available with a choice of mounting options to suit your lifestyle.



Vogue Medium Slimline multi-fuel Ecodesign stove burning logs.

Key Facts and Product Codes



5kW (2.5-7kW)



400mm



up to 79%

- Multi-fuel model (with external riddling)
- Cast Iron & Heavy Gauge Steel
- Cleanburn and Airwash Systems
- DEFRA Exempt for Smoke Control Areas
- Ecodesign Plus (see page 74)
- Integral Cast Iron Top Plate
- Optional Plinth & Midline wood store bases
- Shallow depth
- Optional dedicated external air kit
- Room vent not normally required*
- Stove bench compatible (see page 78)
- Flue outlet - 5" top or rear
- 12mm hearth compatible (see page 77)
- Matt Black Finish

Product Codes

Multi-fuel	VG-MEDSLMU-E
Plinth Base	VG-MEDSL-BP
Midline Base	VG-MEDSL-BML
External Air Kit (page 76)	MEDSLAIR-E
Heat Shield Kit (page 76)	VG-MEDHSK-E
Wood Kit	WDKITMEDSL



For product dimensions please see page 68 onwards

*For more information on room vents, please see page 79

Fires at the Forefront of Contemporary Design

Alongside the stoves in this brochure, Stovax also offer signature cassette, stove and freestanding Ecodesign fire ranges. Providing the same high efficiency and clean burning combustion, these contemporary models redefine modern fire aesthetics.



*Studio Air 2 Freestanding with
White decorative trim.*

Studio Air 1 Edge+ with Storm Grey decorative trim.



These Ecodesign fire ranges represent the pinnacle of fire and stove design, with pure, minimalist styles that create an arresting centrepiece in any setting.

From the sublime Studio Air range, with its expansive landscape flame visuals, to the versatile Elise collection, these models can be selected in various sizes and heat outputs to suit your home.

To find out more about these designer fire ranges, ask your local retailer or visit www.stovax.com.



Vogue 700 Inset.



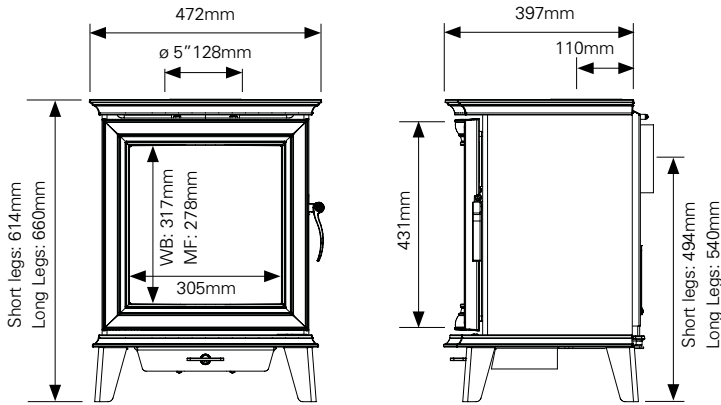
Elise Glass 680 multi-fuel, burning logs with Four Sided Edge+ Frame.



Dimensions - Traditional Stoves

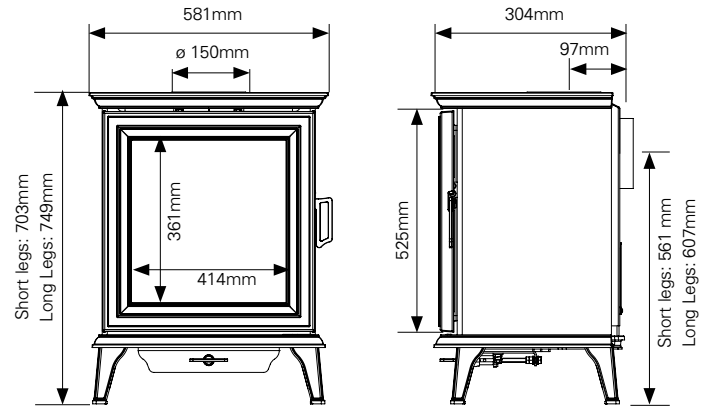
Chesterfield 5..... pages 16-17

Weight: Wood: 102kg
Multi-fuel: 105kg



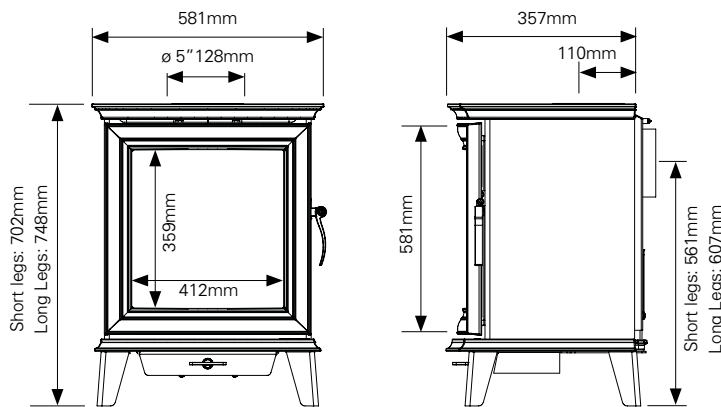
Sheraton 5 Wide..... pages 22-23

Weight: 110kg



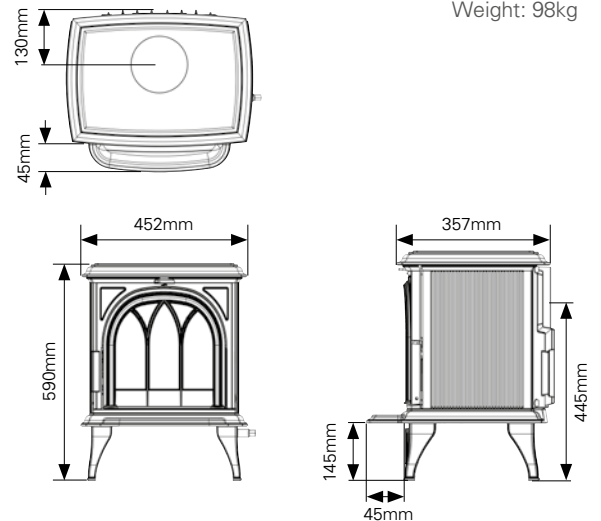
Chesterfield 5 Wide..... pages 18-19

Weight: 110kg



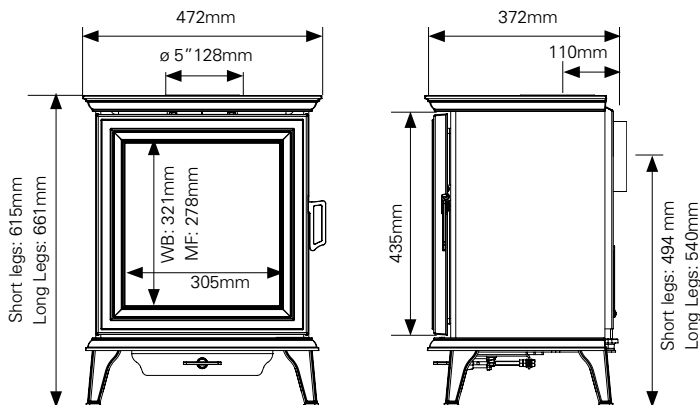
Huntingdon 25..... pages 24-27

Weight: 98kg



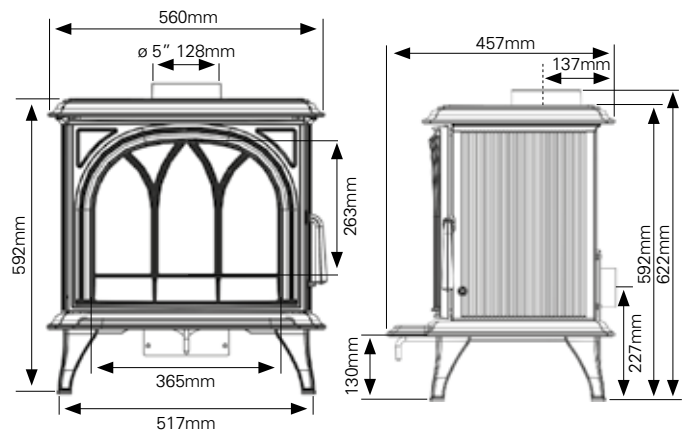
Sheraton 5..... pages 20-21

Weight: Wood: 83kg
Multi-fuel: 95kg



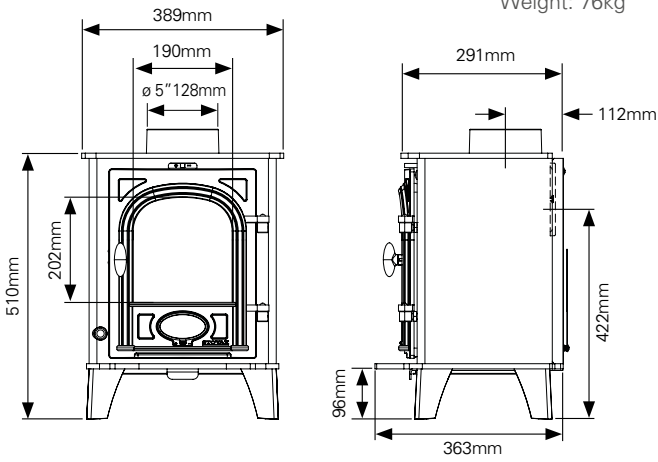
Huntingdon 30..... pages 26-27

Weight: Wood: 91kg
Multi-fuel: 93.5kg



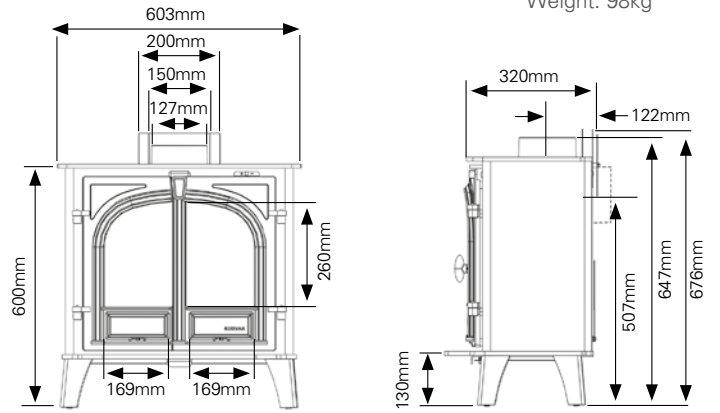
Stockton 3 pages 28-29

Weight: 76kg



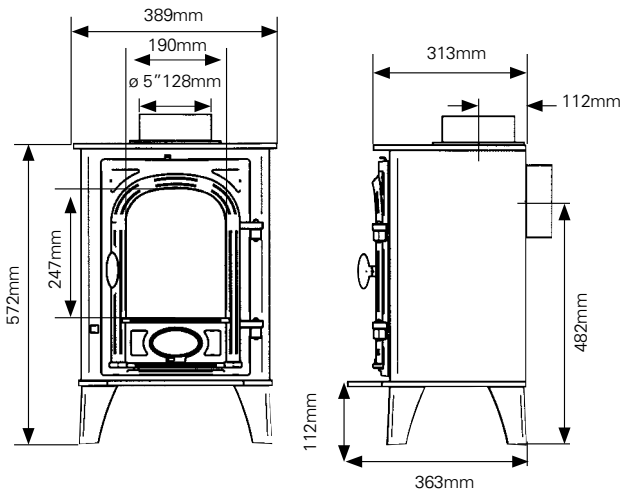
Stockton 5 Wide pages 34-35

Weight: 98kg



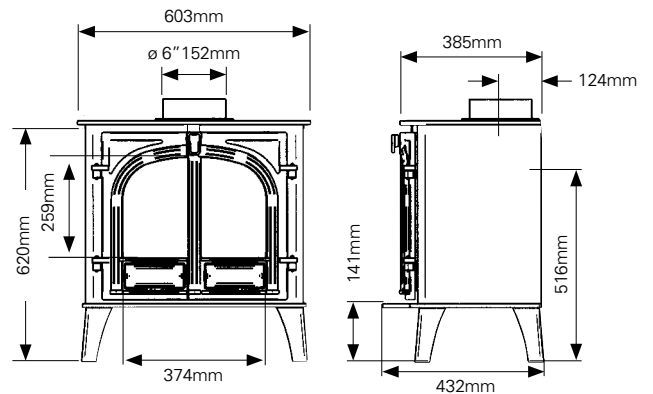
Stockton 4 pages 30-31

Weight: 83kg



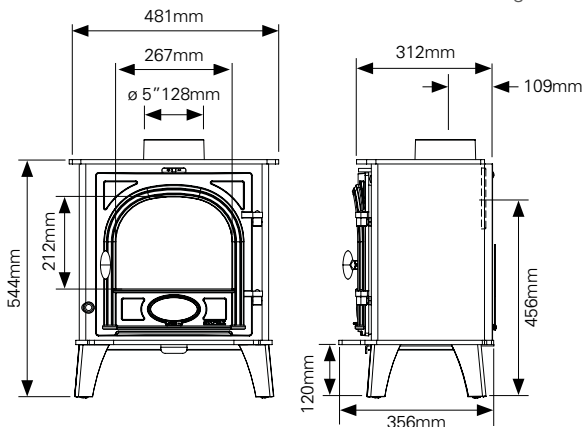
Stockton 8 pages 36-37

Weight: 120kg



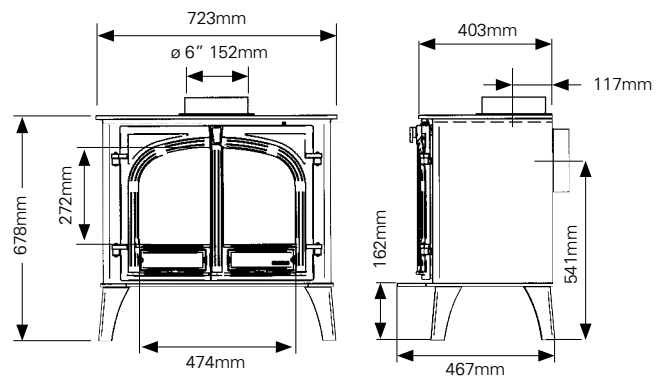
Stockton 5 pages 32-33

Weight: 83-90kg



Stockton 11 pages 38-39

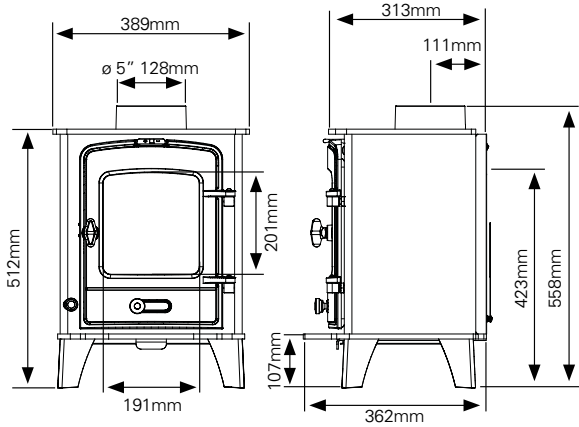
Weight: 160kg



Dimensions - Traditional Stoves

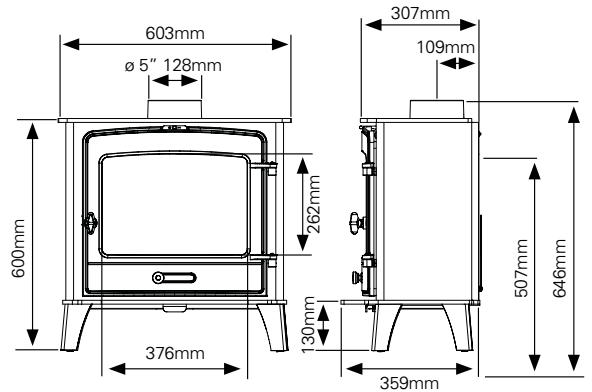
County 3 pages 40-41

Weight: 72kg



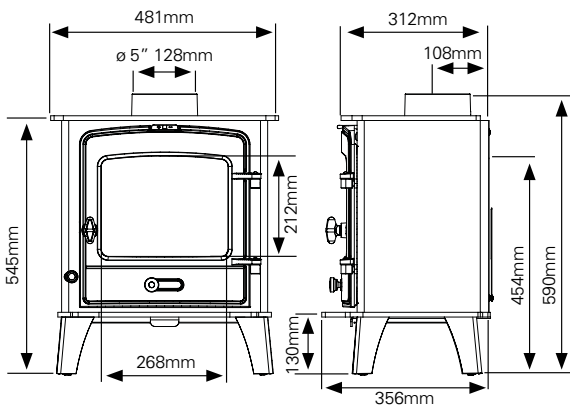
County 5 Wide pages 44-45

Weight: 87kg



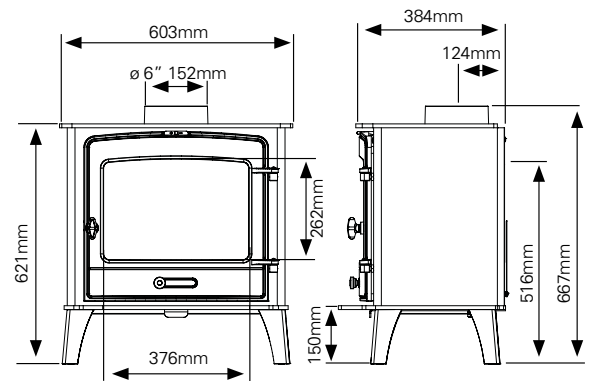
County 5 pages 42-43

Weight: Wood: 77kg
Multi-fuel: 87kg



County 8 pages 46-47

Weight: 112kg



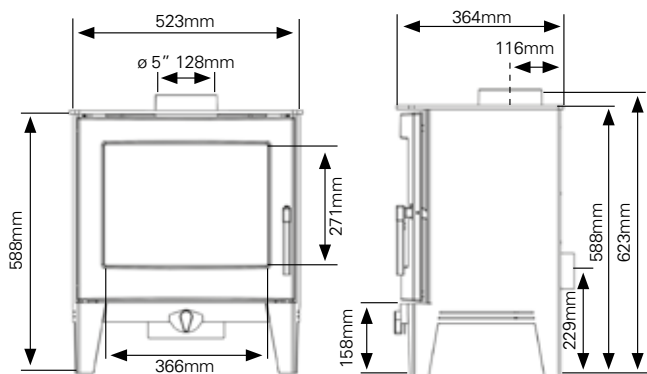
County 5 Multi-fuel Ecodesign stove burning logs.

An approved competent person of solid fuel installations should undertake a site survey prior to purchase and must install any Stovax stove. Your Stovax retailer will be able to advise on this. The above information is to assist you in your choice of a suitable Stovax stove. It is not intended to be all the information required to install your fire or stove; this can be obtained from your local Stovax retailer or you can view/download the relevant full installation instructions from the Stovax website at www.stovax.com

Dimensions - Contemporary Stoves

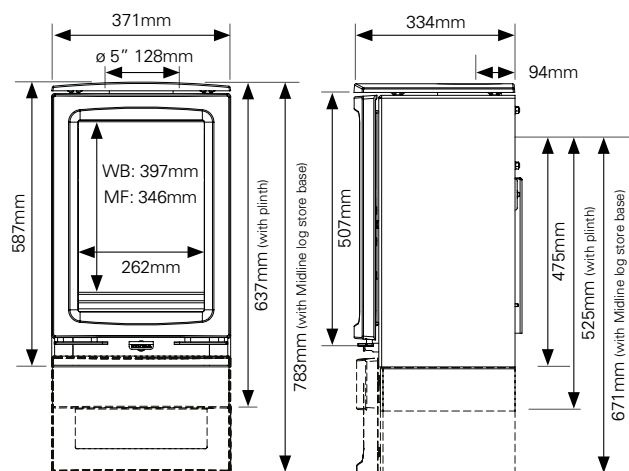
Futura 5 pages 50-51

Weight: Wood: 80.8kg
Multi-fuel: 83.6kg



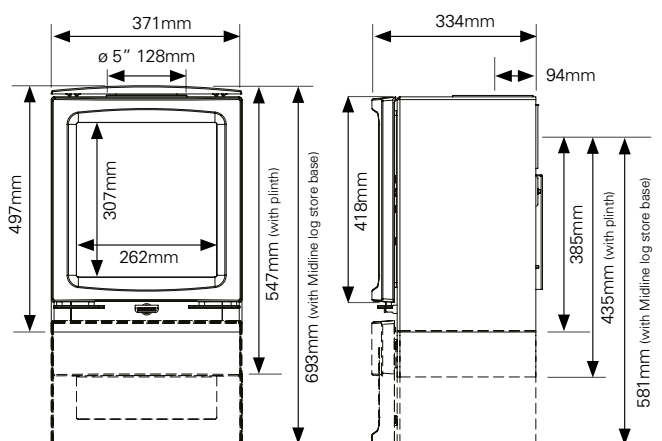
Vogue Small T pages 54-55

Weight: 74kg



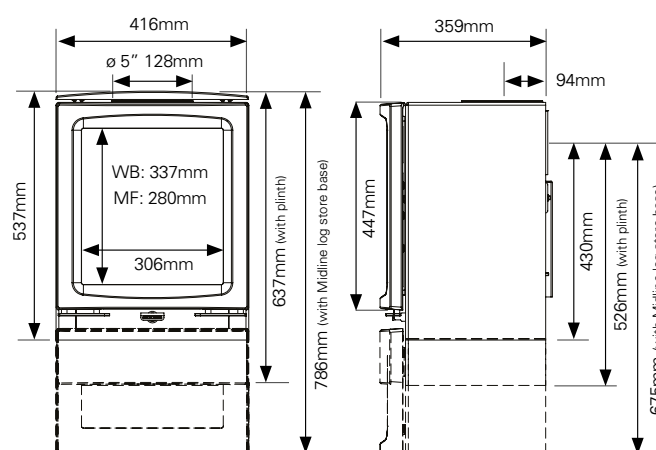
Vogue Small pages 52-53

Weight: 71kg



Vogue Midi pages 56-57

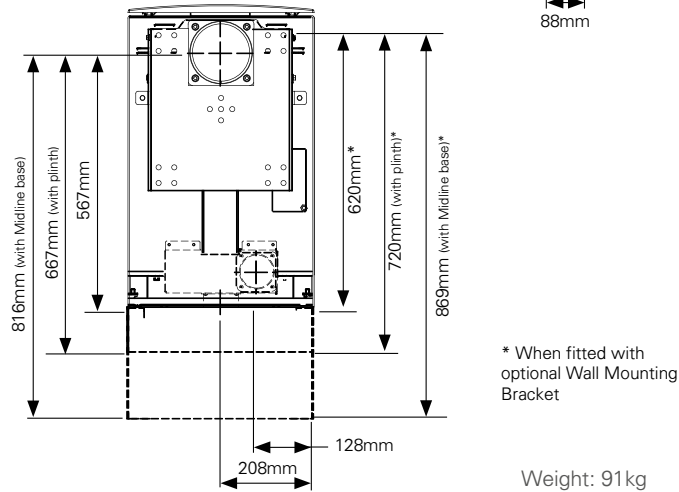
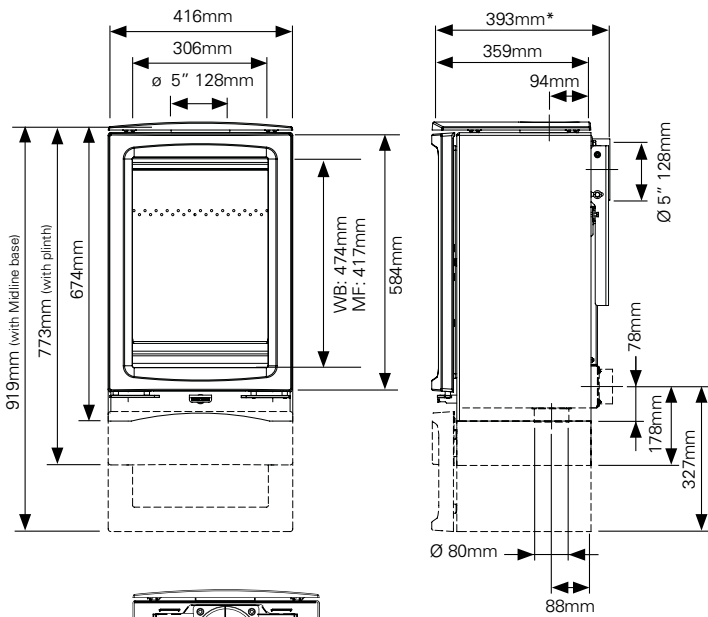
Weight: 80kg



Futura 5 woodburning
Ecodesign stove.

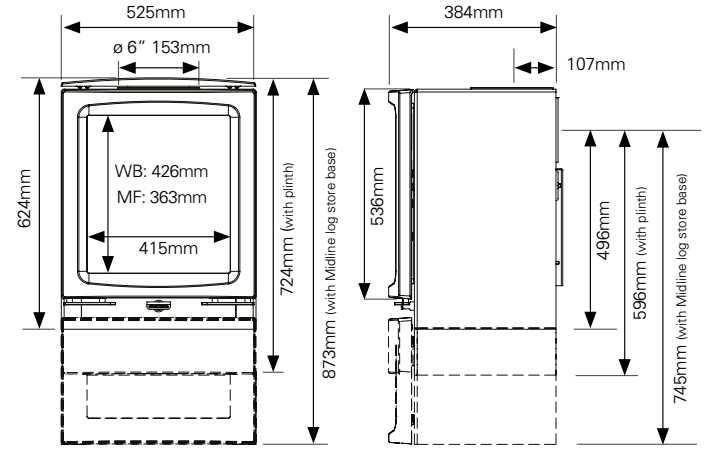
Dimensions - Contemporary Stoves

Vogue Midi T & Wall Hung..... pages 58-59



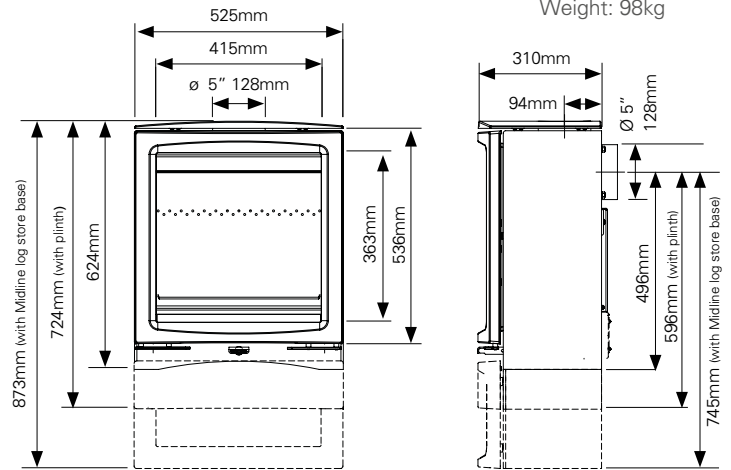
Vogue Medium..... pages 62-63

Weight: 120kg



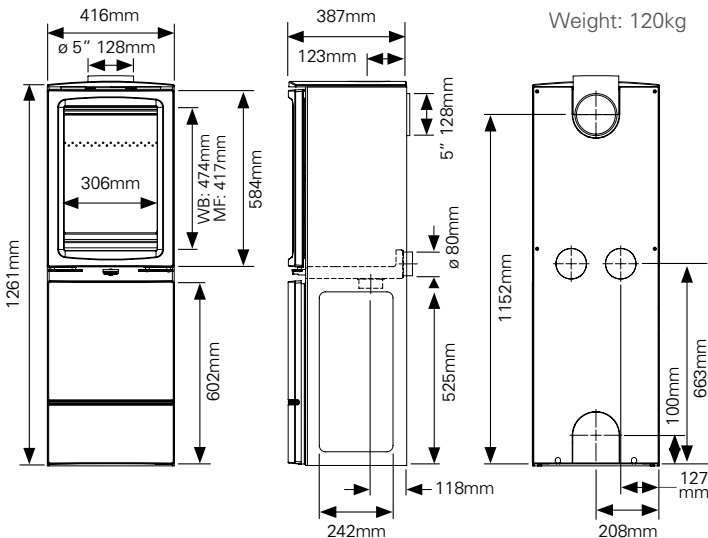
Vogue Medium Slimline..... pages 64-65

Weight: 98kg



Vogue Midi T Highline..... pages 60-61

Weight: 120kg



Professional XQ™ Chimney Systems

FOR HOMES
WITHOUT A
CHIMNEY!

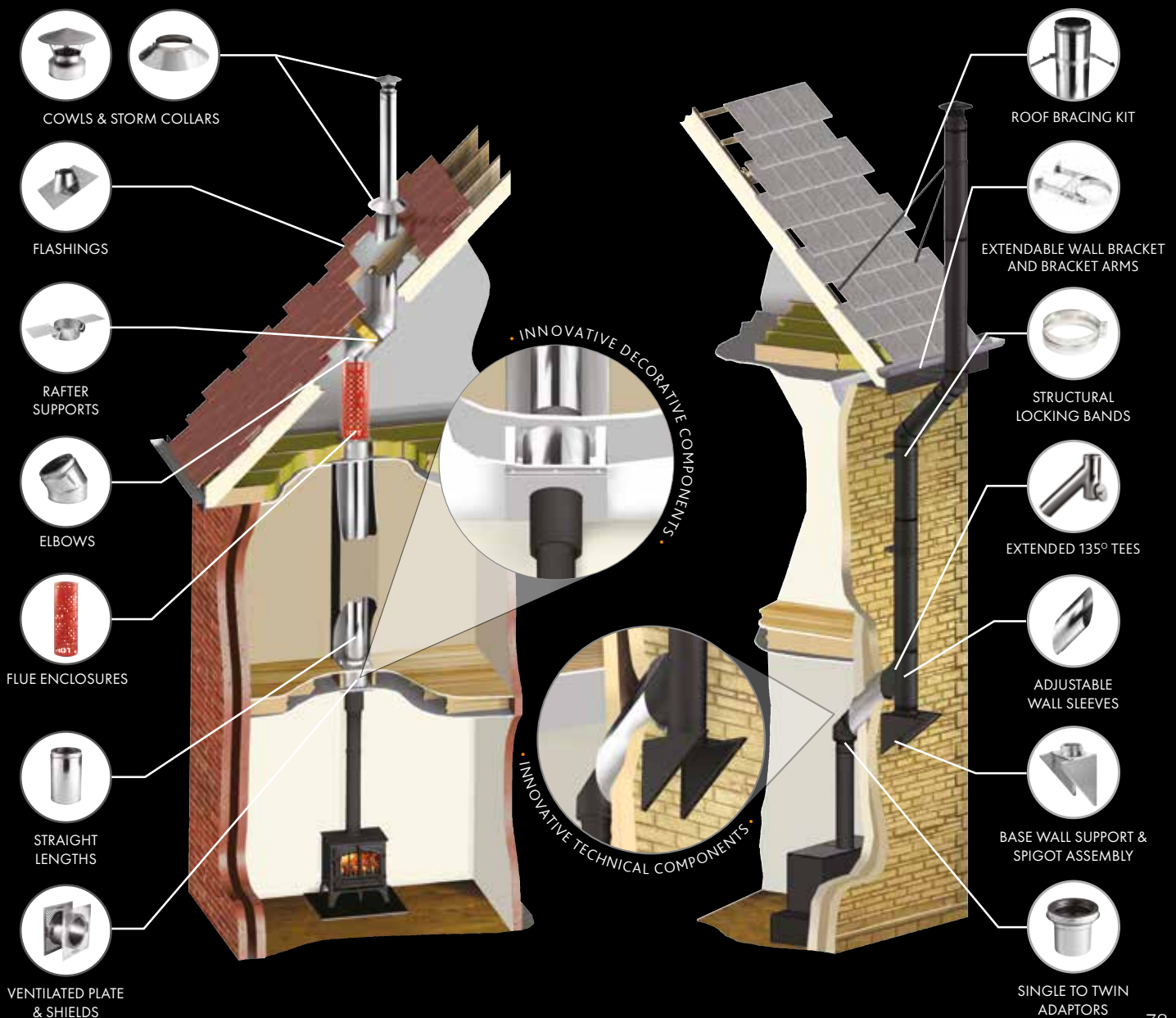
Stovax also offers a comprehensive range of stove & fireplace chimney systems, the Stovax Professional XQ™ collection. Crafted from 304L grade stainless steel for a durable outer finish, the fully sealed components offer water tight protection for the insulation within.

With innovative decorative options, the ability to specify a colour for your system and with a host of technical advancements such as their Twist-Lock system, the Professional XQ™ range provides an attractive, versatile and reliable solution for your flue system. Furthermore, the Professional XQ™ range carries a 10 year conditional warranty offering complete peace of mind.

10
YEAR
EXTENDED
WARRANTY



For further information or to request a brochure, contact your local retailer or visit www.stovax.com/chimneysystems



Exceeding Ecodesign



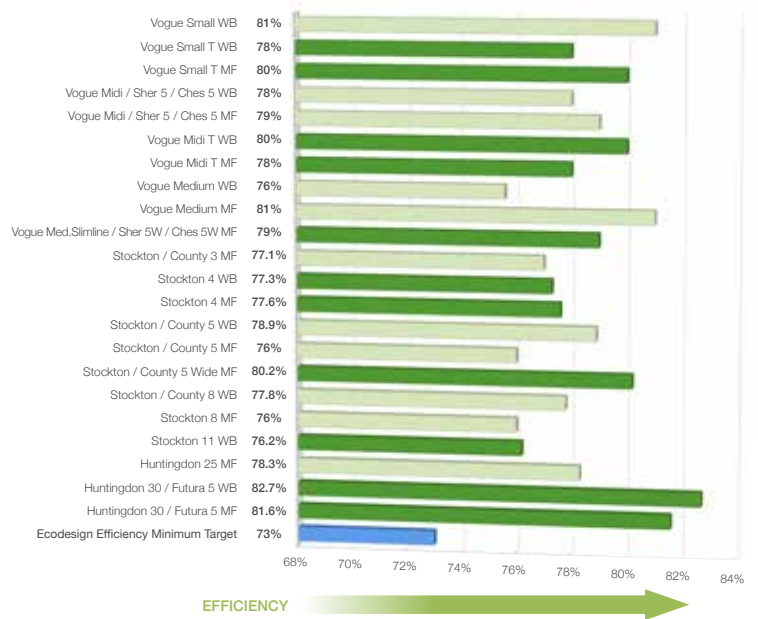
Designed with the very latest firebox engineering, our Ecodesign Plus woodburning and multi-fuel appliances represent the cutting-edge of stove design. Their low emission, high efficiency combustion systems ensure that substances present in smoke emissions such as Carbon Monoxide (CO), nitrogen oxides (NOX), organic gaseous compounds (OGC) and particulates (PM) are minimised.

Thanks to their eco-focused design, all Ecodesign stoves easily pass Smoke Control Zone requirements making them suitable for installation in urban and rural areas alike.



Total Efficiency - %

Balancing a stove's efficiency with cleanliness of burning is a precise science, requiring expert engineering and meticulous testing. All our Ecodesign Plus stoves surpass the 2022 Ecodesign Efficiency target of 73%, resulting in a range of truly environmentally designed products.

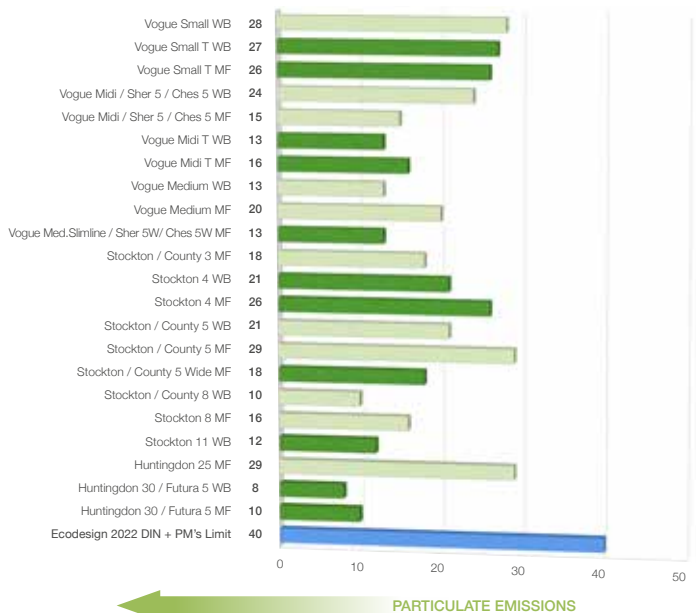


PM (Particulate Matter) mg/m³

Although PMs are currently measured for UK smokeless zone requirements, Ecodesign emission requirements are much tighter. Our Ecodesign stoves burn well below these future, tougher, PM targets, with some models generating almost two thirds less than the permitted PM emission amount of 40 mg/m³.

WB = Woodburning. MF = Multi-fuel

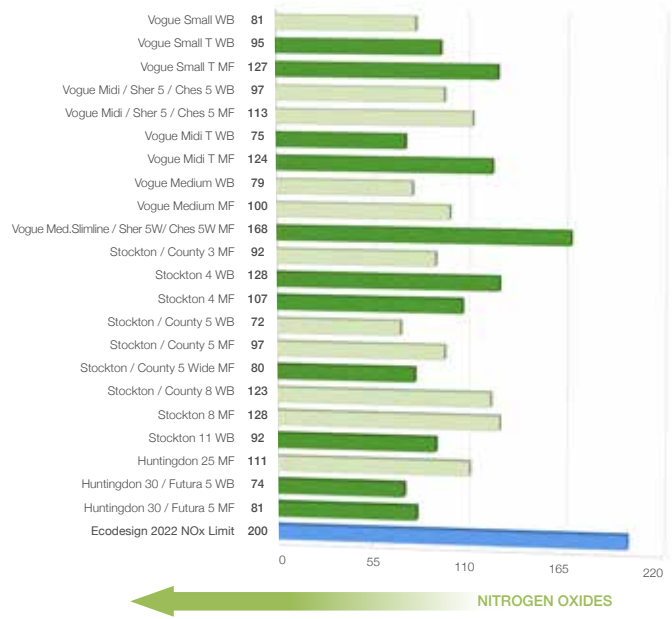
*Multi-fuel Vogue, Chesterfield & Sheraton model figures quoted burning smokeless fuel





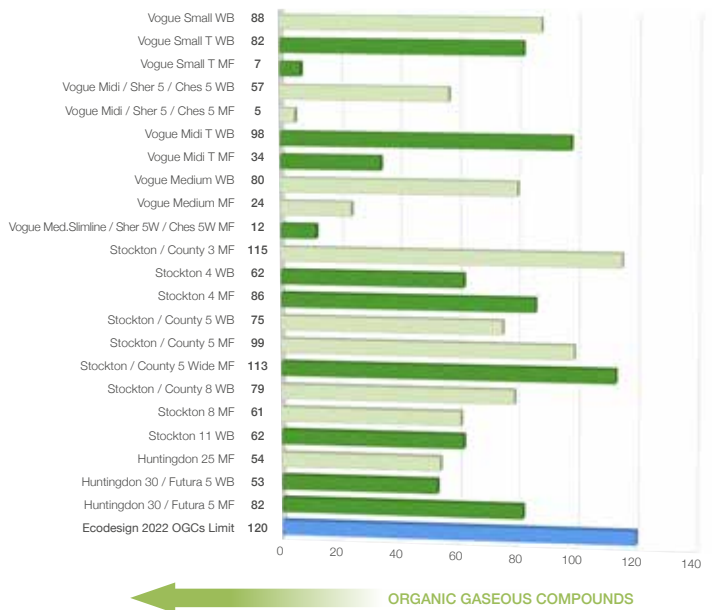
NOx (Nitrogen Oxides) mg/m³

Nitrogen oxides affect air quality and are another emission requirement of Ecodesign. All Stovax Ecodesign stoves demonstrate NOx emissions that are well below the permitted amount.



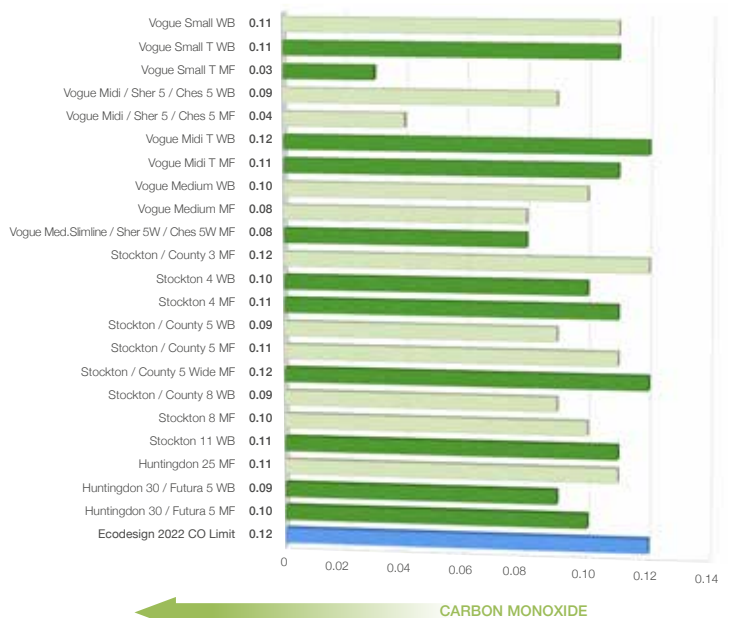
OGCs (Organic Gaseous Compounds) mg/m³

Minimising OGCs is also an important requirement of forthcoming 2022 Ecodesign standards. All Stovax Ecodesign stoves fall comfortably below this exacting emission target.



CO (Carbon Monoxide) % @ 13% O₂

Ecodesign limits are set to dramatically reduce the current UK Carbon Monoxide emission limits by a massive 88%, from 1% @ 13% O₂ to 0.12%. All Stovax Ecodesign stoves meet this stringent forthcoming standard.



WB = Woodburning. MF = Multi-fuel

*Multi-fuel Vogue, Chesterfield & Sheraton model figures quoted burning smokeless fuel

Further Information

Stovax Heat Shields

Stovax offer a range of highly effective Heat Shields for the Vogue stove range. These fantastic additions will allow a reduction in the distance to combustible materials at the rear and sides of the stoves as shown below. The Stovax Heat Shields not only maximise the available space within the room, but they also enable you to accommodate a wider range of materials in your interior design. For more information, please speak to your local Stovax retailer.

Stove	Product Code	Distance from sides	Distance from rear
Vogue Small	VG-SMHSK-E	350mm	100mm
Vogue Small T	VG-SMTHSK-E	350mm	100mm
Vogue Midi	VG-MIDHSK-E	400mm	100mm
Vogue Midi T	VG-MIDTHSK-E	400mm	100mm
Vogue Medium	VG-MEDHSK-E	300mm	50mm
Vogue Medium Slimline	VG-MEDHSK-E	300mm	50mm



Stockton 5 woodburning Ecodesign stove with Flue Shield and Twin Wall flue pipe.

Stoves With Integral Heat Shields

The stoves below come complete with integral heat shields for reduced distances to combustible materials.

Stove	Distance from sides	Distance from rear
Vogue Midi T Highline	350mm	75mm*
Sheraton 5	300mm	50mm*
Sheraton 5 Wide	250mm	50mm*
Stockton 3	400mm	150mm*
Stockton 4 Wood	350mm	250mm*
Stockton 4 Multi-fuel	450mm	300mm*
Stockton 5 Wood	350mm	150mm*
Stockton 5 Multi-fuel	400mm	150mm*
Stockton 8 Wood	500mm	300mm*
Stockton 8 Multi-fuel	575mm	450mm*
Stockton 11	500mm	400mm*
Chesterfield 5	300mm	50mm*
Chesterfield 5 Wide	250mm	50mm*
Futura 5	150mm	75mm*
Huntingdon 30	200mm	75mm*
County 3	400mm	150mm*
County 5	400mm	150mm*
County 5 Wide	400mm	300mm*
County 8	500mm	300mm*

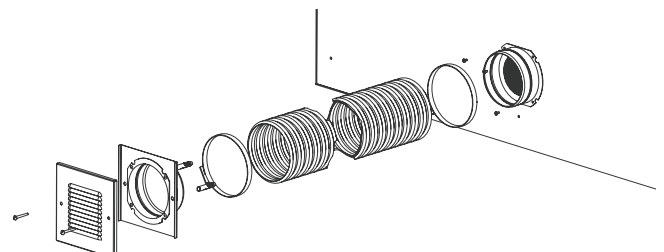
* To achieve this clearance a Flue Shield must be used in conjunction with Twin Wall Flue Pipe.

Dedicated External Air Supply

Designed from conception to be airtight, some of our stoves including Chesterfield, Sheraton & Vogue stoves can be optionally installed with a dedicated external air supply, meaning they do not need to draw any air from the room. This potentially negates the need for an additional air vent, therefore minimising drafts.



The Futura 5 and Huntingdon 30 stoves come ready to be installed with an external air supply without needing an additional bespoke external air kit. Thanks to a built-in external air connection, all that is needed for these stoves to take combustion air from the outside of the property is to be connected to an external air tube.



Enamelled Flue Pipe

Our range of high quality flue pipes offer further installation options for your stove as well as optimum heating performance. The flue pipe diameters required for each model are shown on individual product pages.



5" Diameter	
1' straight with door	4504
2' straight with door	4505
3' straight with door	4506
1' straight without door	4500
2' straight without door	4501
3' straight without door	4502
3' 7" straight without door	4545
1' 3" - 2' 1" (telescopic)	4542
3' 4" - 4' 6" (telescopic)	4540
Tee piece with end cap	4516
135° bend with door	4512
90° bend with door	4514
150° bend with door	4522
135° bend without door	4537
150° bend without door	4538

6" Diameter	
1' straight with door	4604
2' straight with door	4605
3' straight with door	4606
1' straight without door	4600
2' straight without door	4601
3' straight without door	4602
3' 7" straight without door	4645
1' 3" - 2' 1" (telescopic)	4642
3' 4" - 4' 6" (telescopic)	4640
Tee piece with end cap	4616
135° bend with door	4612
90° bend with door	4614
150° bend with door	4622
135° bend without door	4637
150° bend without door	4638

Please note: owing to different production processes, we cannot guarantee a perfect match between pipe and stove.

12mm Hearth Compatible stoves

A large number of Stovax stoves are suitable for installation with just a 12mm hearth, negating the need for a typical constructional hearth and offering a wider range of installation options.

See our complete list of 12mm hearth compatible stoves below.



- Chesterfield 5
- Chesterfield 5 Wide
- Sheraton 5
- Sheraton 5 Wide
- Huntingdon 25
- Huntingdon 30
- Stockton 3
- Stockton 4
- Stockton 5
- Stockton 5 Wide
- County 3
- County 5
- County 5 Wide
- Futura 5
- Vogue Medium Slimline
- Vogue Medium
- Vogue Midi T Highline
- Vogue Midi T*
- Vogue Midi
- Vogue Small T*
- Vogue Small

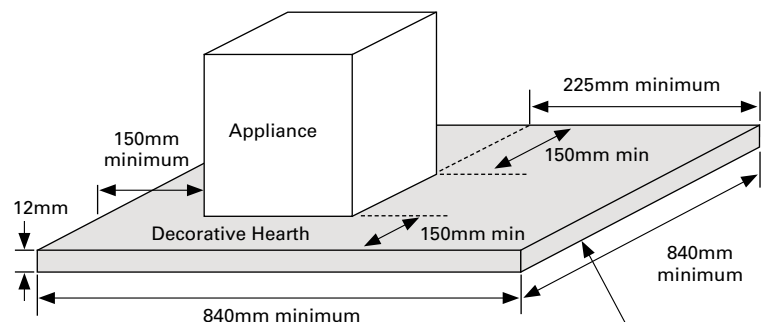


Diagram for illustrative purposes only. Please consult product instruction manuals for individual requirements.

Change in level to mark safe perimeter

*Woodburning model only

Accessories, Stove Care and Important Information

Stove Benches

These versatile steel benches are compatible with Stovax's freestanding contemporary stoves. With a variety of size options, they offer greater design possibilities to accommodate your individual styling requirements. You can even use the space beneath for log storage!^Δ

- Sturdy Steel construction
- Choice of sizes available
- Durable Matt Black finish
- Proportioned 60mm wide legs
- Allows for central or offset stove positioning

Product Code	Product	W (mm)	H (mm)	D (mm)
RVACLB45BHT	Bench 45 Low †	450	250	420
RVACB45BHT	Bench 45 High †	450	350	420
RVACLB100BHT	Bench 100 Low	1000	250	420
RVACB100BHT	Bench 100 High	1000	350	420
RVACLB120BHT	Bench 120 Low	1200	250	420
RVACB120BHT	Bench 120 High	1200	350	420
RVACLB140BHT	Bench 140 Low	1400	250	420
RVACB140BHT	Bench 140 High	1400	350	420
RVACLB180BHT	Bench 180 Low	1800	250	465
RVACB180BHT	Bench 180 High	1800	350	465
RVACLB120BHT-DP	Bench 120 Low, (Deep)	1200	250	500
RVACB120BHT-DP	Bench 120 High, (Deep)	1200	350	500
RVACLB140BHT-DP	Bench 140 Low, (Deep)	1400	250	500
RVACB140BHT-DP	Bench 140 High, (Deep)	1400	350	500
RVACLB180BHT-DP	Bench 180 Low, (Deep)	1800	250	500
RVACB180BHT-DP	Bench 180 High, (Deep)	1800	350	500

† Suitable for Vogue Small, Small T, Midi & Midi T

Δ Logs are not to be stored directly beneath the stove position.



Vogue Midi woodburning Ecodesign stove on 120 High Bench





Care of your Stove

To help you get the best performance from your stove and keep it in good condition, inside and out, Stovax offers a wide range of cleaning and maintenance products. Your Stovax retailer will be able to give you full details or you may view the complete range at www.stovax.com.

Brochure Photography

All of the flame pictures shown in this brochure are taken from real fires. Please note however, that flame pictures will vary depending on the exact fuel used, flue conditions and surrounding geographical features. Given that building regulations are subject to change, some of the photography in this brochure may not comply with the requirements of the latest Building Regulations. You should always check your proposed installation arrangement with your approved competent person of solid fuel installations before proceeding and observe the minimum distance to combustible materials as stated in the installation instructions.

Some of the installations in this brochure are dependant on the use of heat shields to reduce the required separation from combustible material.

Important Safety & Technical Information

We recommend that an approved competent person of solid fuel installations should undertake a site survey prior to purchase and it is a requirement that any Stovax Stove should be installed by an appropriately qualified approved installer.

All fires and stoves consume air as they burn. To comply with Building Regulations (Document J) you may need to install a fixed air vent to ensure adequate ventilation. Your Stovax retailer or approved competent person of solid fuel installations will be able to advise on this. Furthermore, by law all installations also require a Carbon Monoxide monitor (such as product code 3045 available from Stovax).

You can also download detailed installation instructions prior to purchase from www.stovax.com.

Please note that all parts of these stoves, particularly the glass panel in the door, become extremely hot during operation and can result in serious injury and burns if touched. It is therefore recommended that a fireguard complying with BS 8423:2002 is used in the presence of young children, the elderly or infirm.

Product Improvement and Warranty Information

Stovax pursue a policy of constant product improvement. Products supplied may therefore differ in specification from those illustrated or described in this brochure, and you should always check the final specification with your Stovax retailer.

Your Stovax Expert Retailer will provide you with a Two Year Warranty for your new solid fuel stove. This can then be extended to a five year warranty, provided it has been registered with Stovax. During the registration process, the

Expert Retailer details will be required for your Extended Warranty to be activated. Please note, this warranty excludes certain consumable parts and is dependant on your appliance being serviced by an appropriately qualified person 12 months after installation and annually thereafter. Stoves purchased outside of Stovax's Expert Retailer Network will carry a standard 12 month, non-extendable warranty. Full details of this warranty is set out to view on our website at www.stovax.com.



Register your stove and we'll plant a tree...

We are working with our recommended British Woodsure "Ready to Burn" fuel supplier Certainly Wood to encourage sustainable woodland creation. For every stove or fire registered for our Extended Warranty in the UK*, the Stovax Heating Group and Certainly Wood will jointly fund the planting of a tree as part of our #GreenBritain campaign. Our goal is to plant 10,000 new trees each year in Britain.

Find out more at stovax.com/GreenBritain



...and you'll get a free Fire Starter Kit

Once you have registered your product*, you will also receive a free Fire Starter Kit from Certainly Wood to help you get started with your new Stovax stove. Inside you will find high quality, Woodsure "Ready to Burn" logs, kindling, Flamers (natural firelighters) and a handy good firewood guide so you can get the best out of your Stovax stove along with a £20 money-off voucher for your first Certainly Wood fuel order.



Visit our partner online at certainlywood.co.uk for certified Woodsure Ready to Burn firewood.

*Mainland UK registrations only

WIN

the cost of your product back!*

For further home inspiration you can **view real life installations** at our Customer Showcase page and share your thoughts and photos of your new stove or fire installation to enter our draw!

- We will publish your entry on our Customer Showcase
- You will be entered into a draw for the chance to win the cost of your product back
- **Gain a second entry** by registering your product online for your free extended warranty at stovax.com/registration

View real life installations and submit your review at stovax.com/customershowcase

* Terms and conditions apply. See online for details



"Timeless Elegance"



"Amazing, beats all our expectations"

Have you considered gas and electric?

Many of the stoves in this brochure are also available in gas and electric versions. Offering all the ambience of a woodburning model, these innovative stoves provide superb flame visuals at the touch of a button.



Our gas and electric division, Gazco, design and build stoves that look and feel every bit as solid and authentic as our solid fuel stoves. This is because they are built with the same high quality materials and craftsmanship.

On the inside, cutting-edge technologies allow these advanced stoves to create captivating flame visuals, complemented by hand-painted fuel effects for breath-taking realism. And with various handset options, each model can be easily controlled from the comfort of the sofa.

For more details, ask your local retailer or visit www.gazco.com to view the complete range.







Stovax gratefully acknowledges the assistance of the following companies with photographic settings:

www.johnlewis.com; www.originalstyle.com; www.debenhams.co.uk; www.furniturevillage.com; www.habitat.co.uk; www.amtico.com;
www.lpdfurniture.co.uk; www.sofarooms.co.uk; www.nkuku.com; www.tomraffield.com; www.industville.co.uk; www.graceandgloryhome.co.uk; www.loaf.com;
www.houseoffraser.co.uk; www.theorangetree.co.uk; www.mokodirect.com; www.amoslighting.co.uk; www.opiesuk.co.uk;
www.oliverbonas.com; www.desenio.com; www.chunkymonkeyfurniture.co.uk; www.wallsandfloors.com



Find your retailer

You can find your nearest retailer by visiting:
stovax.com/retailers



Stovax Ltd Falcon Road, Sowton Industrial Estate, Exeter, Devon, England EX2 7LF

Trade Sales Tel: 01392 474000 / NI: 01392 261990

Email: info@stovax.com / NI: northernireland@stovax.com

Export Sales Tel: +44 1392 261990 • Email: exportsales@stovax.com

stovax.com   

© All material copyright Stovax Ltd 2022 E & O E

Paper sourced from sustainable forests and printed using vegetable based inks

Your Stovax retailer:

STOV0322

