

ARADA  
— DEVON —



*SIMPLY GAS*

Putting warmth at the heart of the home

# Ecoburn Gas Medium (Series 3)



Ecoburn Gas Medium Series 3 shown with conventional flue

*The Ecoburn Gas stove features the same classic visual features as our Ecoburn multi fuel stoves. This log-effect gas fire is available in LPG or natural gas-compatible versions and with either a conventional or balanced flue, so you need not have a standard brick chimney or built-in flue.*

## Features

- Natural Gas or LPG models available
- Conventional or balanced Flue models available
- Remote control included as standard

*One of the greatest reasons for choosing a gas stove is their convenience. Settling in for the evening with the Ecoburn Gas stove and its easy-to-use remote control - included as standard - means you can adjust the heat output and flame picture without leaving your comfy sofa!*

- Adjustable heat output and flame height
- Available in seven colours
- Clear view glass screen
- Lifetime guarantee on the stove body

## Dimensions

	Conventional Flue	Balanced Flue
Width	456 mm	456 mm
Height	609 mm	633 mm
Depth	399 mm	445 mm

## Output

	Conventional Flue			Balanced Flue	
	Natural Gas	LPG (Propane)	LPG (Butane)	Natural Gas	LPG (Propane/Butane)
<b>Useful Energy Efficiency</b>	86 %	83 %	83 %	83 %	82.5 %
<b>Energy Efficiency</b>	B	D	C	C	C
<b>Direct Heat Output</b>	4.4 kW	3.5kW	3.7 kW	4.5 kW	Up to 4.5kW



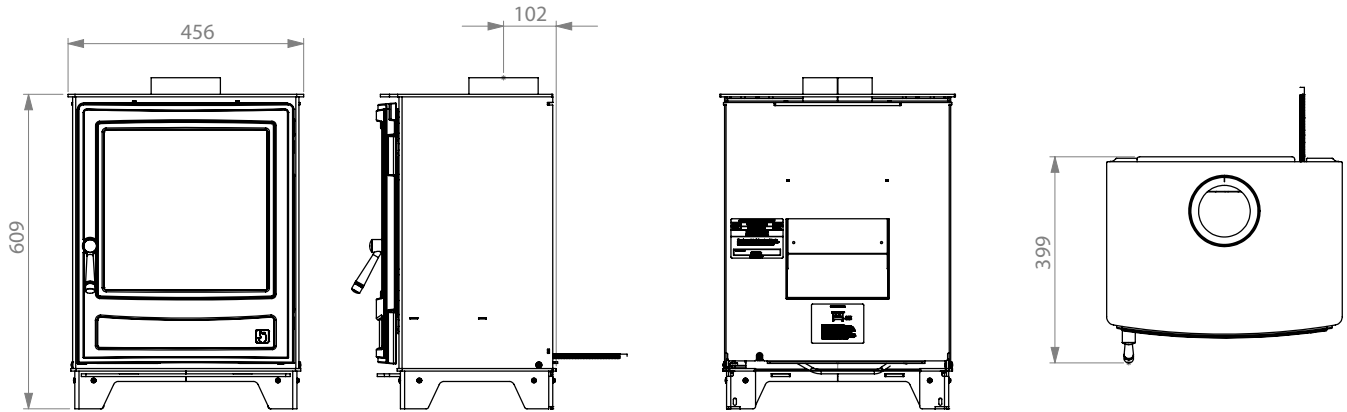
Ecoburn Gas Medium



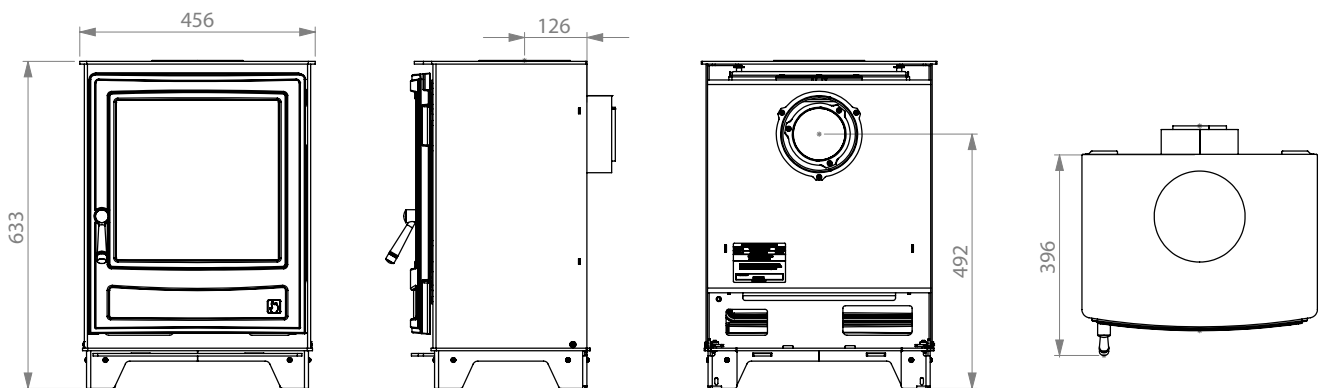
Easy to use remote control

# Ecoburn Gas Medium (Series 3)

## ECOBURN GAS MEDIUM - CONVENTIONAL FLUE



## ECOBURN GAS MEDIUM - BALANCED FLUE



### Features

Remote thermostatic control	Yes
Remote timer control	Yes
Flame supervision safety	Oxygen depletion system
Ecodesign Ready	Yes
Suitable for non-combustible 12mm hearth	Yes

### Flue

#### Approved Conventional Flue Class Type

B11 (Class1, 2 and pre-cast)

#### Approved Balanced Flue Class Types

C11 roof terminals, C31 wall terminal  
C91 wall terminal snorkel type

Gas performance	Conventional Flue			Balanced Flue	
	G20 (natural Gas)	G31 (propane)	G30 (butane)	G20/G25/G25.3 NG (Avg.)	G30 / G31 LPG (Avg.)
Supply Pressure (measured at test elbow) [mbar]	20	37	29	20 / 25	30 - 50
Nominal Heat Input Gross (Hs) [kW]	5	4.4	4.5	4 - 5	5 / 5.5
Min Heat Input Gross (Hi) [kW]	2.3	1.8	2.7	3.6 - 4.5	4.6 / 5.1
Gas Consumption At Max Rate [M3/hr]	0.47	0.157	0.121	0.58	0.196
Gas Consumption At Min Rate [M3/hr]	0.22	0.061	0.074	0.47	0.164
Nox [mg/KWh]	95	97	98	76	81
Efficiency Class	1				
Gas Connection	8mm compression				
Remote Gas Valve	TESC01 RF868-15				

We recommend this appliance is installed with clearance of 100mm to non-combustible materials  
Installation and operating instructions for this stove are available online at [www.aradastoves.com](http://www.aradastoves.com).



Holborn Gas Medium shown with conventional flue

*The Holborn Gas stove features the same classic visual features as our Holborn multi fuel stoves. This log-effect gas fire is available in LPG or natural gas-compatible versions and with either a conventional or balanced flue, so you need not have a standard brick chimney or built-in flue.*

## Features

- Natural Gas or LPG models available
- Conventional or balanced Flue models available
- Remote control included as standard
- Adjustable heat output and flame height
- Available in seven colours
- Clear view glass screen
- Lifetime guarantee on the stove body

## Dimensions

	Conventional Flue	Balanced Flue
Width	472 mm	472 mm
Height	637 mm	661 mm
Depth	402 mm	447 mm

## Output

	Conventional Flue			Balanced Flue	
	Natural Gas	LPG (Propane)	LPG (Butane)	Natural Gas	LPG (Propane/Butane)
Useful Energy Efficiency	86 %	83 %	83 %	83 %	82.5 %
Energy Efficiency	B	D	C	C	C
Direct Heat Output	4.4 kW	3.5kW	3.7 kW	4.5 kW	Up to 4.5kW



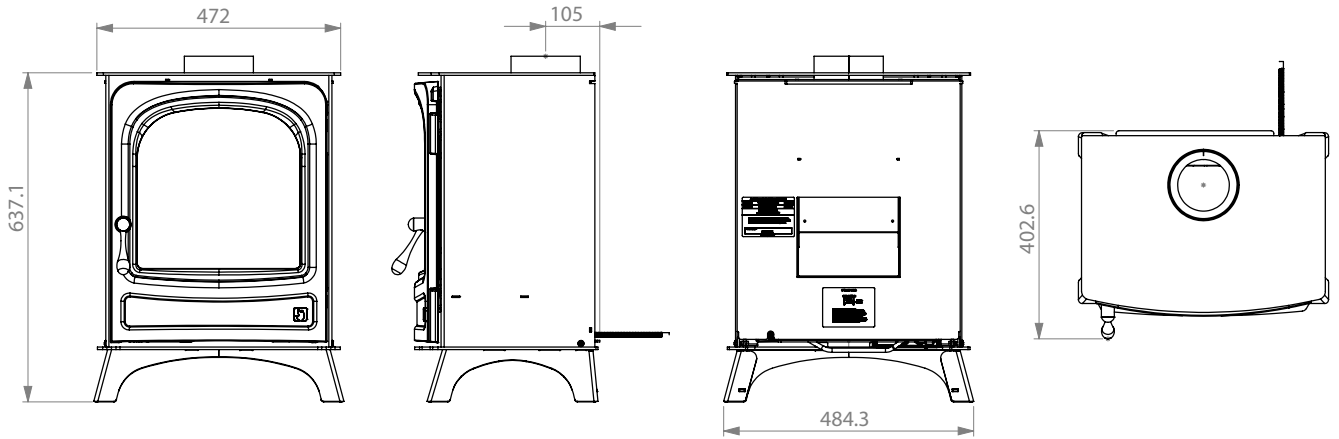
Available in seven colours (Sandcastle Cream shown)



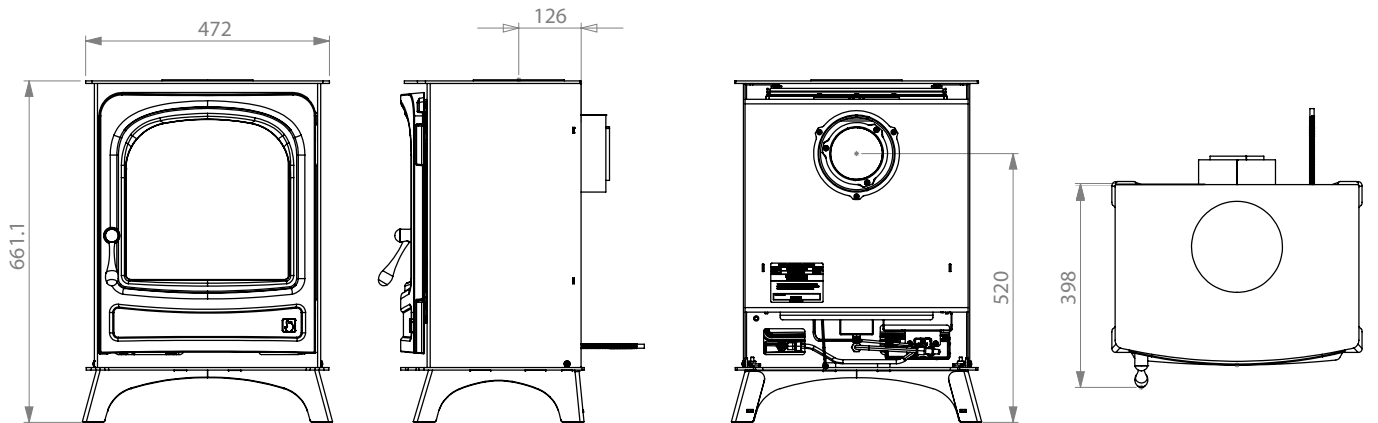
Easy to use remote control

# Holborn Gas Medium

## HOLBORN GAS MEDIUM - CONVENTIONAL FLUE



## HOLBORN GAS MEDIUM - BALANCED FLUE



### Features

Remote thermostatic control	Yes
Remote timer control	Yes
Flame supervision safety	Oxygen depletion system
Ecodesign Ready	Yes
Suitable for non-combustible 12mm hearth	Yes

### Flue

<b>Approved Conventional Flue Class Type</b>	B11 (Class1, 2 and pre-cast)
<b>Approved Balanced Flue Class Types</b>	C11 roof terminals, C31 wall terminal C91 wall terminal snorkel type

### Gas performance

Gas Type	Conventional Flue			Balanced Flue	
	G20 (natural Gas)	G31 (propane)	G30 (butane)	G20/G25/G25.3 NG (Avg.)	G30 / G31 LPG (Avg.)
<b>Supply Pressure (measured at test elbow) [mbar]</b>	20	37	29	20 / 25	30 - 50
<b>Nominal Heat Input Gross (Hs) [kW]</b>	5	4.4	4.5	4 - 5	5 / 5.5
<b>Min Heat Input Gross (Hi) [kW]</b>	2.3	1.8	2.7	3.6 - 4.5	4.6 / 5.1
<b>Gas Consumption At Max Rate [M3/hr]</b>	0.47	0.157	0.121	0.58	0.196
<b>Gas Consumption At Min Rate [M3/hr]</b>	0.22	0.061	0.074	0.47	0.164
<b>Nox [mg/KWh]</b>	95	97	98	76	81
<b>Efficiency Class</b>	1				
<b>Gas Connection</b>	8mm compression				
<b>Remote Gas Valve</b>	TESC01 RF868-15				

We recommend this appliance is installed with clearance of 100mm to non-combustible materials  
Installation and operating instructions for this stove are available online at [www.aradastoves.com](http://www.aradastoves.com).