

Fowey beam



Windermere 5 SE

Introducing our all-new Windermere 5 SE multi fuel stove.
A superb design with outstanding aesthetics which incorporates a large ceramic glass window for the ultimate view.
Manufactured to meet the 2022 strict emission and efficiency standards.



Telford beam



81.3% net Efficiency Wood burning
HETAS Ecodesign compliant.



Widcombe beam



Telford beam

Windermere 5 SE

Introducing our all-new Windermere 5 SE multi fuel stove. A superb design with outstanding aesthetics which incorporates a large ceramic glass window for the ultimate view. Manufactured to meet the 2022 strict emission and efficiency standards.



Fowey beam



81.3% net Efficiency Wood burning
HETAS Ecodesign compliant.



Widcombe beam

Specifications

| | |
|--|---------------------------------|
| Fuel | Wood |
| | Approved smokeless fuels |
| Nominal output wood | 5.0kw |
| Nominal output smokeless fuel | 5.0kw |
| Efficiency wood net: | 81.3% |
| Efficiency approved smokeless fuel net: | 77.4% |
| Seasonal efficiency - Wood Logs: | 71.3% |
| Seasonal efficiency - Smokeless Fuel: | 67.4% |

Emission data wood

| | |
|---|-------------------------------|
| Mean CnHm emission @ (13% O₂), mg/Nm³: | 90 Nmg/m³ |
| Mean CO emission @ (13% O₂), mg/Nm³: | 1354 Nmg/m³ |
| Mean NO_x emission @ (13% O₂), mg/Nm³: | 97 Nmg/m³ |
| Din Plus particulates @ 13% O₂: 930mg/Nm³: | 10 Nmg/m³ |

Emission data Maxibrite smokeless fuel

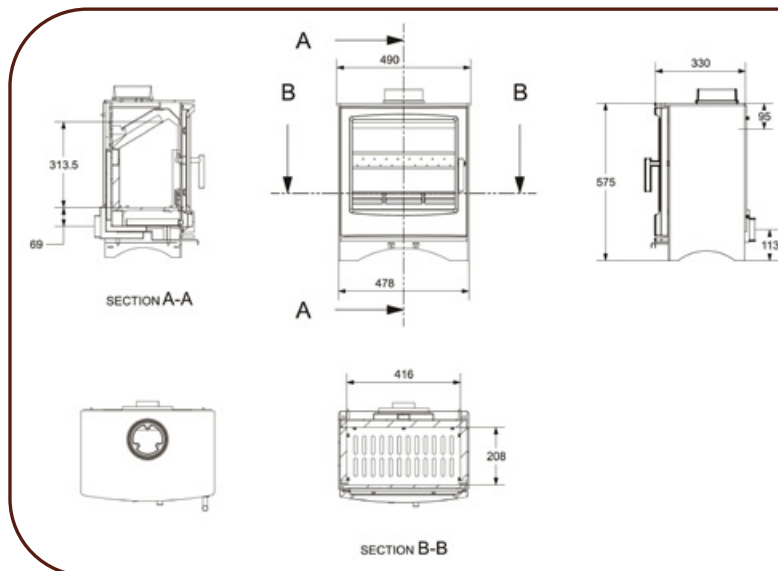
| | |
|---|-------------------------------|
| Mean CnHm emission @ (13% O₂), mg/Nm³: | 17 Nmg/m³ |
| Mean CO emission @ (13% O₂), mg/Nm³: | 1375 Nmg/m³ |
| Mean NO_x emission @ (13% O₂), mg/Nm³: | 107 Nmg/m³ |
| Din Plus particulates @ 13% O₂: 930mg/Nm³: | 18 Nmg/m³ |

| | |
|---|--------------------------------|
| Approximate weight | 80kgs |
| Maximum log length | 30cm |
| Stove collar diameter | 130mm Internal |
| Flue location | Top or rear |
| Smoke exempt tested | Yes |
| Air wash to glass | Yes |
| Construction | Steel and cast iron |
| Adjustable legs | Yes |
| Handle | Stainless steel |
| CE tested | Yes |
| Eco design ready | Yes |
| Quality assurance | ISO 9001:2008 |
| Minimum flue diameter required (Smoke exempt tested) | 125mm internal diameter |

Features



- Clean burn technology
- Eco design ready
- Smoke exempt tested
- UK/NI approved
- Eco 2022 compliant
- Hetas approved
- Multi fuel
- Air wash system to glass
- Stainless-steel handle
- Addition room ventilation not normally required, (Refer to instructions)
- Large ceramic glass window



Widcombe beam

